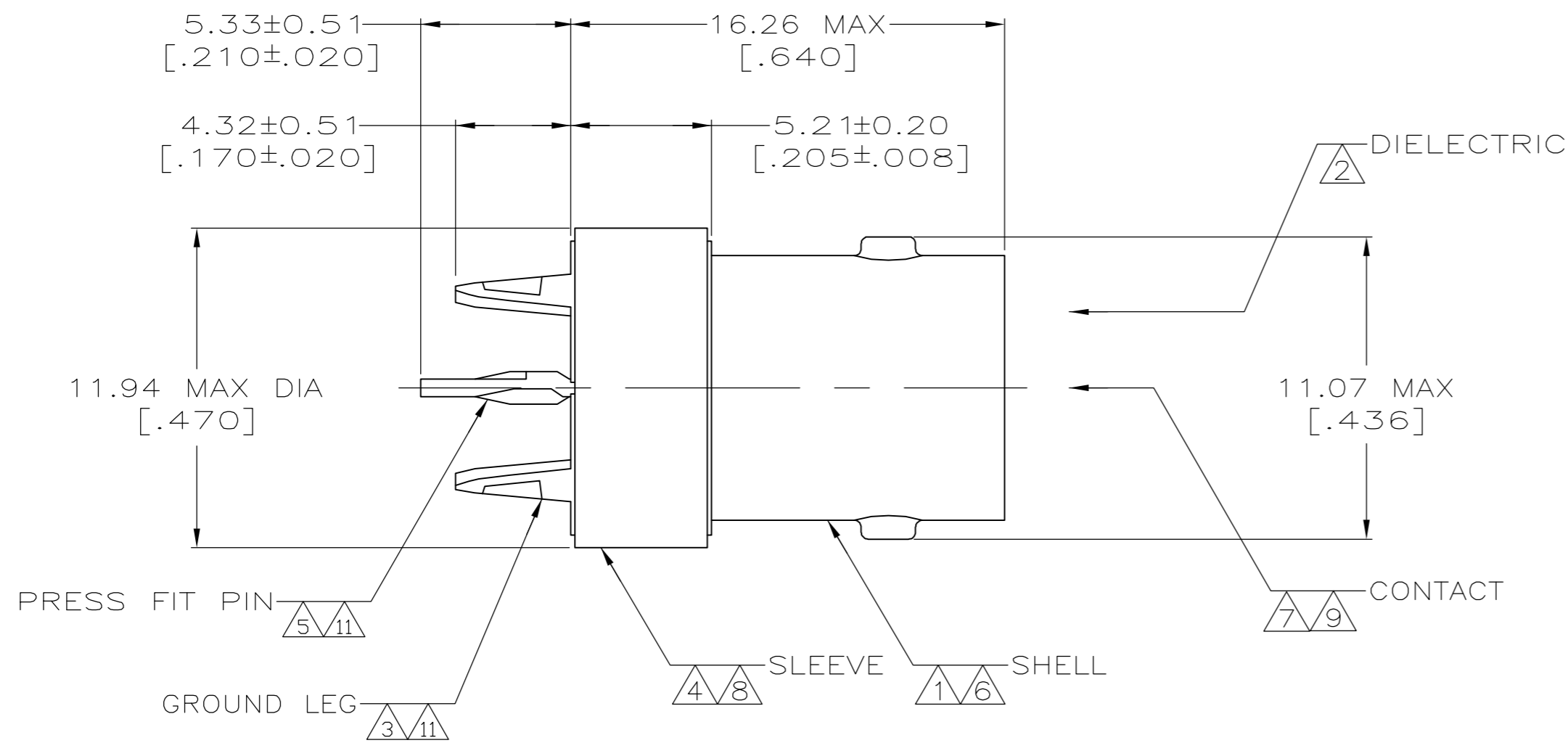
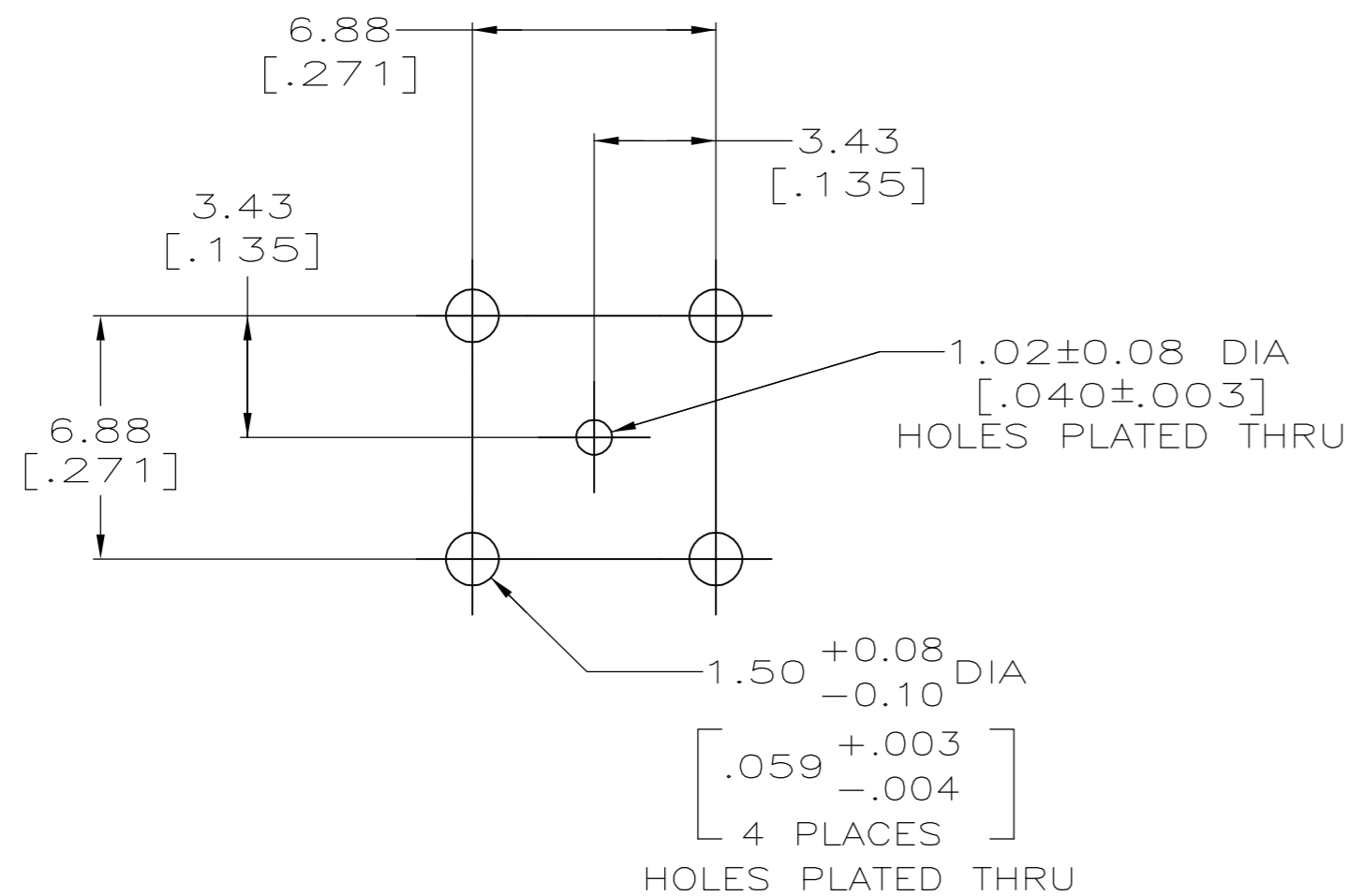


THIS DRAWING IS UNPUBLISHED. RELEASED FOR PUBLICATION  
 © COPYRIGHT BY TYCO ELECTRONICS CORPORATION. ALL RIGHTS RESERVED.

LOC	DIST	REVISIONS			
P	LTR	DESCRIPTION	DATE	DWN	APVD
AJ	16	K	REVISED PER ECO-07-002853	21MAR2007	DW JL



- 1 ZINC PER QQ-Z-363.
- 2 PTFE PER MIL-P-19468.
- 3 COPPER-IRON ALLOY PER ASTM-B-465.
- 4 COPPER PER QQ-C-576.
- 5 COPPER-NICKEL ALLOY PER ASTM-B-122.
- 6 NICKEL PLATE PER QQ-N-290  
3.81 μm [.000150] MINIMUM THICK.
- 7 GOLD PLATE PER MIL-G-45204  
0.76 μm [.000030] MINIMUM THICK.
- 8 TIN PLATE PER ASTM-B-545,  
2.54 μm [.000100] MIN THICK.
- 9 BERYLLIUM COPPER PER ASTM-B-643.
- 10. INTERFACE DIMENSIONS PER LUCENT  
SPEC WP-92009.
- 11 TIN-LEAD PLATE PER ASTM-B-545,  
2.54 μm [.000100] MIN THICK.
- 12. CONNECTOR PRESS FIT IS DESIGNED TO PROVIDE  
100 LB. MINIMUM AXIAL RETENTION TO PCB COMPLIANT  
WITH TYCO APPLICATION SPEC 114-12001. AS A  
RESULT, DEFORMATION OF PLATED THROUGH HOLES  
WILL OCCUR. CUSTOMER VALIDATION AND ACCEPTANCE  
OF THIS DEFORMATION IS RECOMMENDED PRIOR TO  
SPECIFYING USE OF THIS PRODUCT.



PCB CONFIGURATION

414088-1  
PART NUMBER

THIS DRAWING IS A CONTROLLED DOCUMENT.		DWN J. LIPPERT 4-29-91	Tyco Electronics Corporation Harrisburg, PA 17105-3608	
DIMENSIONS: INCHES		CHK A. GABANY 5-9-91	NAME	
TOLERANCES UNLESS OTHERWISE SPECIFIED:		APVD -	PRODUCT SPEC	
0 PLC ± -		APVD -	APPLICATION SPEC	
1 PLC ± -		APVD -	-	
2 PLC ± 0.05 [.002]		APVD -	-	
3 PLC ± -		APVD -	-	
4 PLC ± -		APVD -	-	
ANGLES ± -		APVD -	-	
FINISH		APVD -	-	
MATERIAL NOTES 1-5,9	NOTES 6-8	WEIGHT -	SIZE A2	CAGE CODE 00779
CUSTOMER DRAWING		SCALE 5:1	DRAWING NO C=414088	RESTRICTED TO -
		SHEET 1 of 1	REV K	

单击下面可查看定价，库存，交付和生命周期等信息

[>>TE Connectivity\(泰科\)](#)