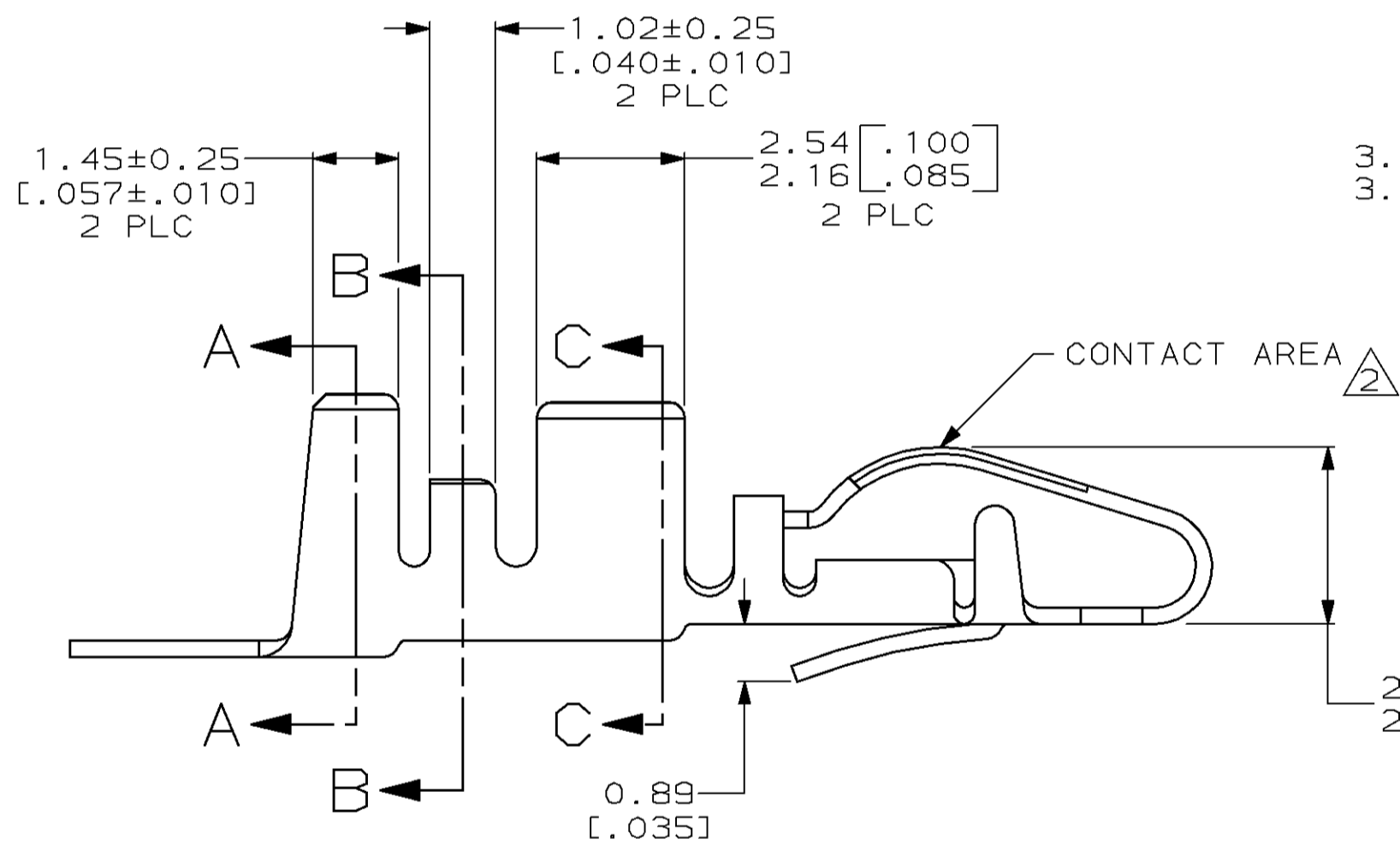
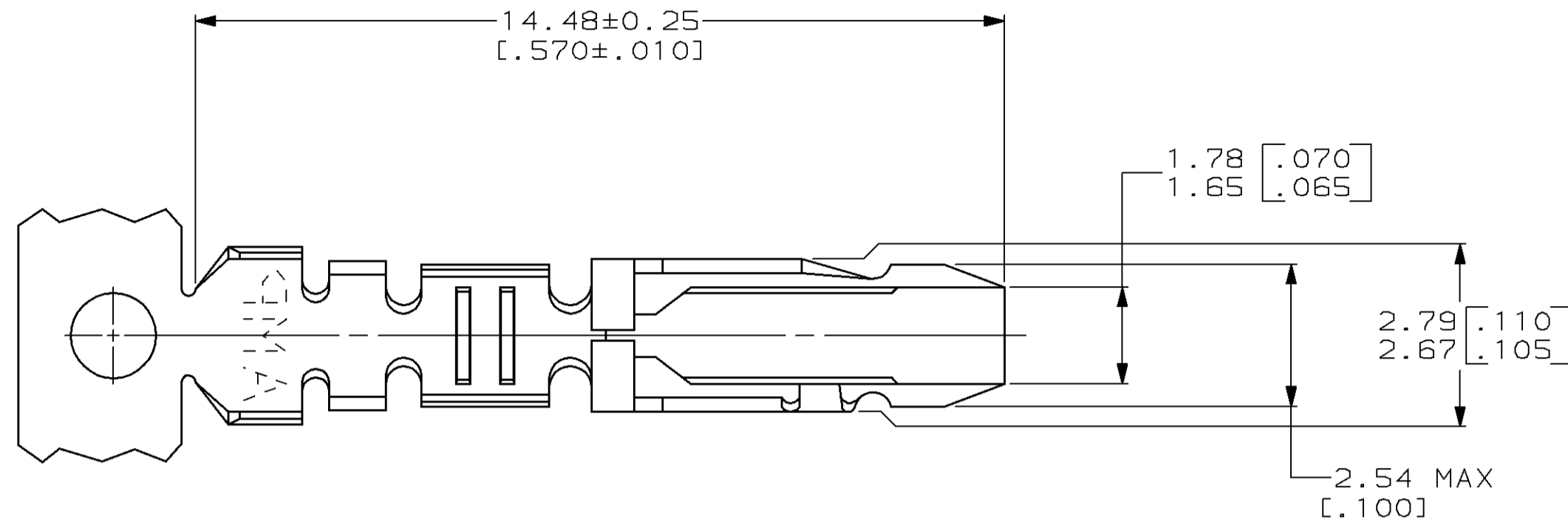


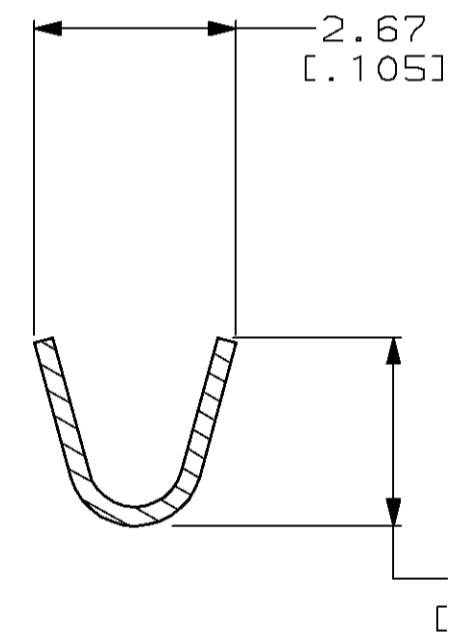
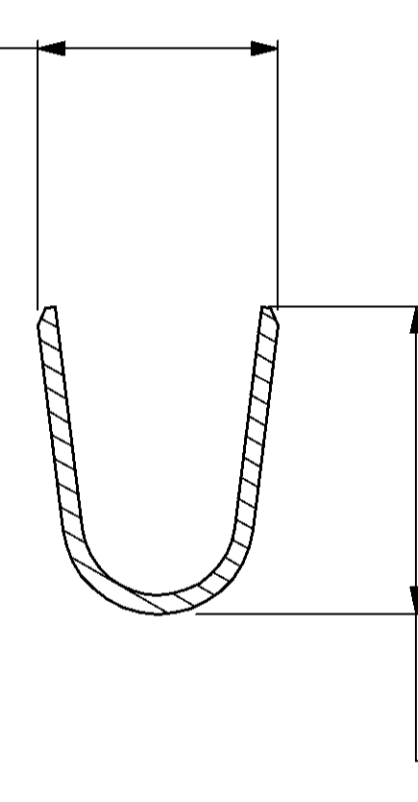
THIS DRAWING IS UNPUBLISHED. RELEASED FOR PUBLICATION
 BY AMP INCORPORATED. ALL RIGHTS RESERVED.

LOC		DIST		REVISIONS			
P	LTR	DESCRIPTION	DATE	DWN	APVD		
FT	22	W	REDRAWN W/O CHANGE PER EC 0320-299-97	28 AUG 97	-	-	-

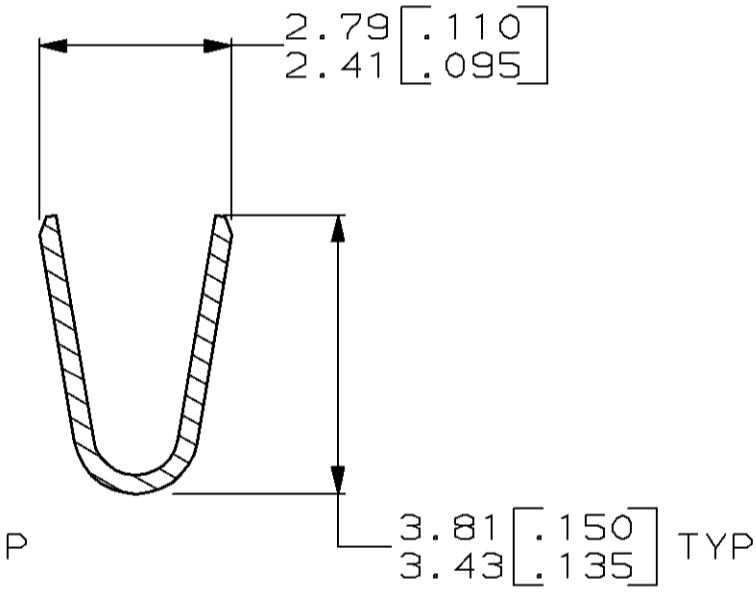


3.43 [.135] / 3.05 [.120]

SECTION A-A



SECTION B-B



SECTION C-C

- 1 PHOSPHOR BRONZE.
- 2 0.76µm [.000030] MIN GOLD IN CONTACT AREA, GOLD FLASH ON REMAINDER OF CONTACT, BOTH OVER 1.27µm [.000050] MIN NICKEL.
- 3. REVERSE REELED (LEFT TO RIGHT FEED), FOR MINI-APPLICATOR.
- 4. INSULATION RANGE: 2.03 [.080] DIA.

60151-6
PART NUMBER

THIS DRAWING IS A CONTROLLED DOCUMENT.		DWN D. HARDY 28 AUG 97	AMP Incorporated Harrisburg, PA 17105-3608	
DIMENSIONS: mm [INCHES]		CHK R. STONE 04 SEP 97	NAME N. SCHROLL	
TOLERANCES UNLESS OTHERWISE SPECIFIED:		APVD 05 SEP 97	PRODUCT SPEC -	
0 PLC ±-		APPLICATION SPEC -		
1 PLC ±-		WEIGHT -		
2 PLC ±0.13 [.005]		SCALE A2 00779 C= 60151		
3 PLC ±-		SHEET 1 OF 1		
4 PLC ±-		REV W		
ANGLES ±-		CUSTOMER DRAWING		
FINISH		SCALE 10:1		

单击下面可查看定价，库存，交付和生命周期等信息

[>>TE Connectivity\(泰科\)](#)