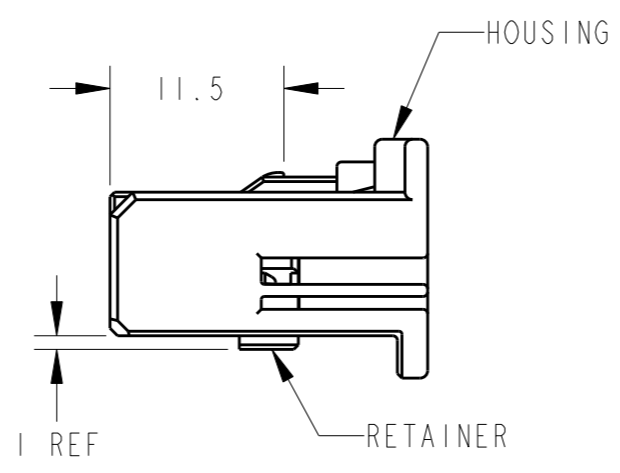
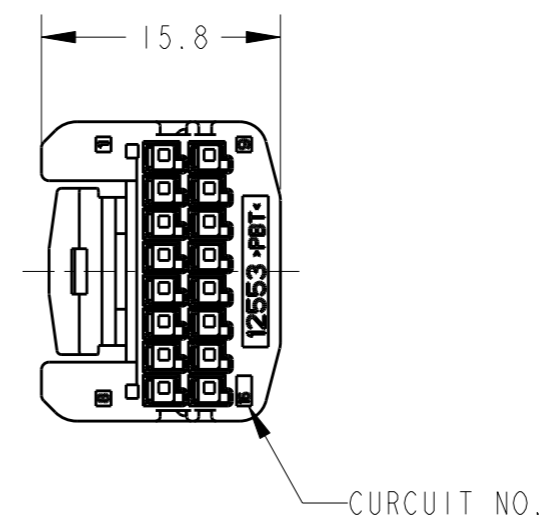
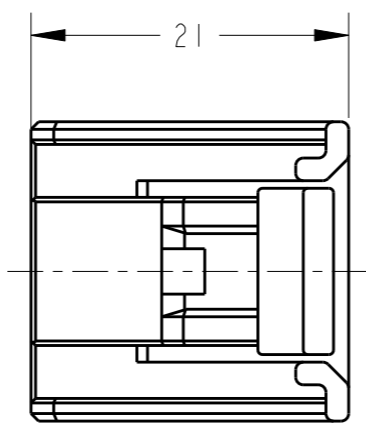
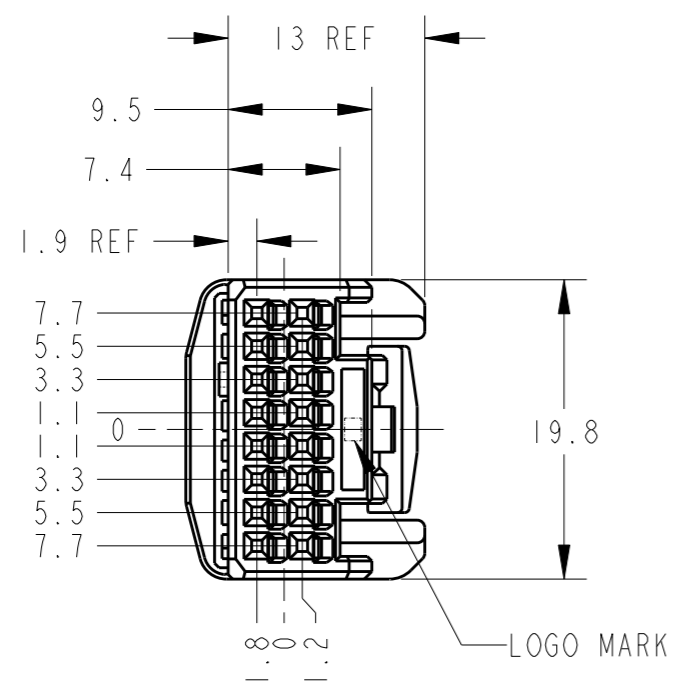


THIS DRAWING IS UNPUBLISHED. RELEASED FOR PUBLICATION 2004
 © COPYRIGHT 2004 ALL RIGHTS RESERVED.

LOC	DIST	REVISIONS						
		P	LTR	DESCRIPTION	ECN	DATE	DWN	APVD
J	-		0	作成 RELEASED	FJA0-0067-04	26JAN04	SA	KA
			01	ADD -2	ECR-05-011611	22SEP05	AY	HY
			A	REVISED	ECR-10-007503	21APR10	TS	KB
			A1	REVISED	ECR-15-004383	23MAR2015	TS	KB



1. RETAINER SHOULD BE SENT TO THE PRE-ASSEMBLY.
2. INSTRUCTION SHEET NO. 411-78080.
3. PART NUMBER OF CAP HOUSING TO BE MATED : SEE TABLE-1
4. APPLIED TERMINALS : SEE TABLE-2

1. プラグハウジングにリテーナを仮係止して出荷される
2. 取扱説明書NO. 411-78080
3. 嵌合相手型番 : TABLE-1参照
4. 適用端子 : TABLE-2参照

TABLE - 1

POS 極数	CAP ASSEMBLY PART NO. キャップ 型番	
16	W-W	1376106
	W-B	1473796
	W-B	1318382

PACKING STYLE 梱包形態	COLOR	PART NUMBER
PAPER BOX ダンボール	BLACK	1717109-2 ⁽⁰¹⁾
PLASTIC BAG ビニール袋	NATURAL	1717109-1
OUTER 外表	INNER 内装	

TABLE - 2

	TERMINAL NO. 端子型番	APPLICABLE WIRE RANGE 適用電線
SIGNAL 0.64111	TIN	1674311-1
	SELECTIVE GOLD	1674311-2
		AVSS/CAVS/CAVUS/AVSSH-f 0.3~0.5mm ²

THIS DRAWING IS A CONTROLLED DOCUMENT.

DIMENSIONS: 単位: 耗 mm	TOLERANCES UNLESS OTHERWISE SPECIFIED: 一般公差 ±0.3 0-PLC ± 1-PLC ±0.1 2-PLC ±0.01 3-PLC ±0.001 4-PLC ±0.0001 ANGLES ±3'00"	DWN S. AMEMIYA 26JAN04 CHK H. YAMAGAMI 26JAN04 APVD K. ASAI 26JAN04					
MATERIAL 材料 PBT	FINISH 仕上 SEE TABLE	PRODUCT SPEC 製品規格 108-5931 APPLICATION SPEC 取付適用規格 114-5329			NAME 名称 0.64111 16P PLUG HSG ASSEMBLY		
		WEIGHT 2.76 g	SIZE A3	CAGE CODE	DRAWING NO 番号 C-1717109	RESTRICTED TO	
		CUSTOMER DRAWING		SCALE 尺度 2:1	SHEET 1	OF 1	REV A1

单击下面可查看定价，库存，交付和生命周期等信息

[>>TE Connectivity\(泰科\)](#)