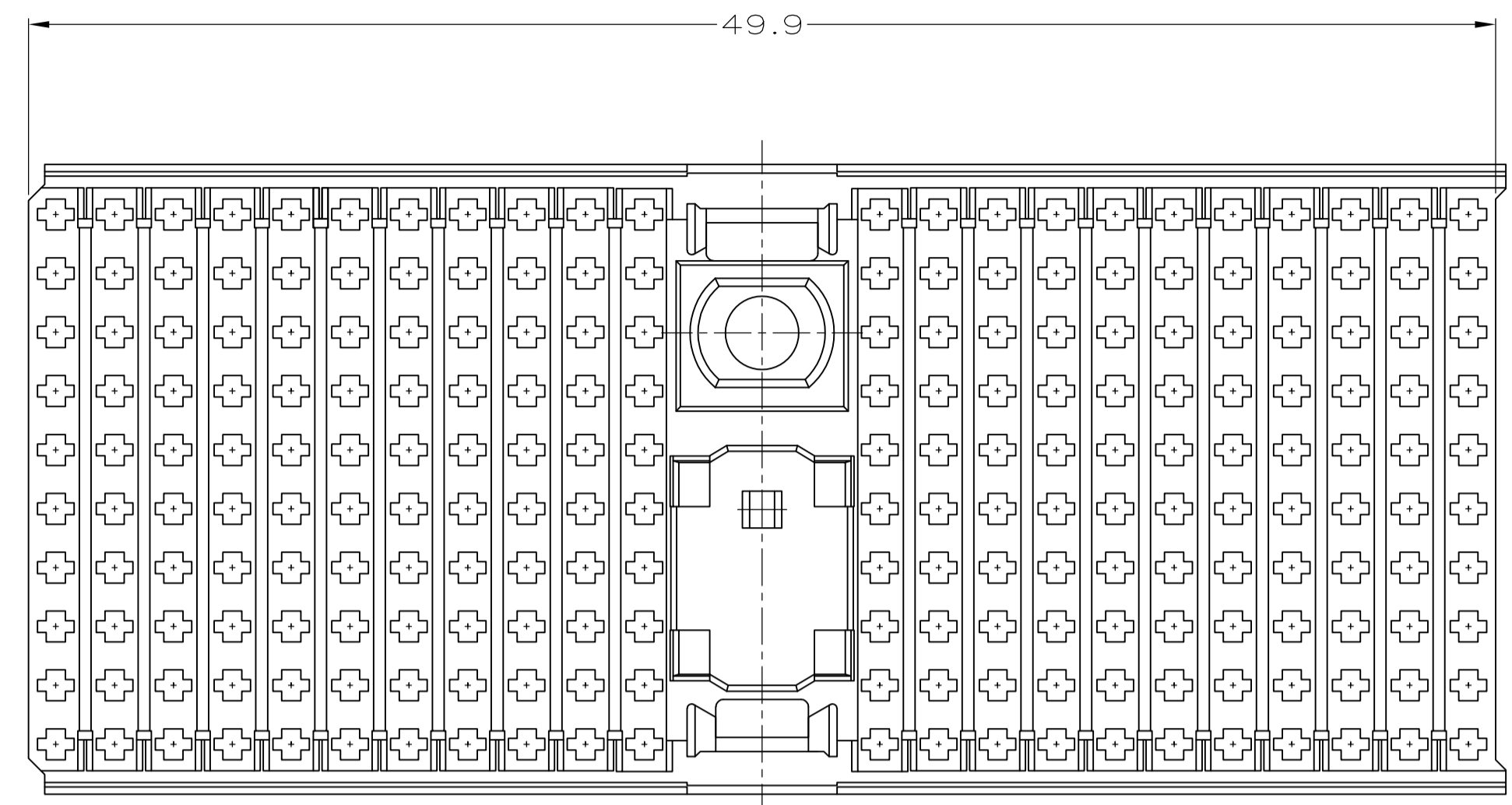
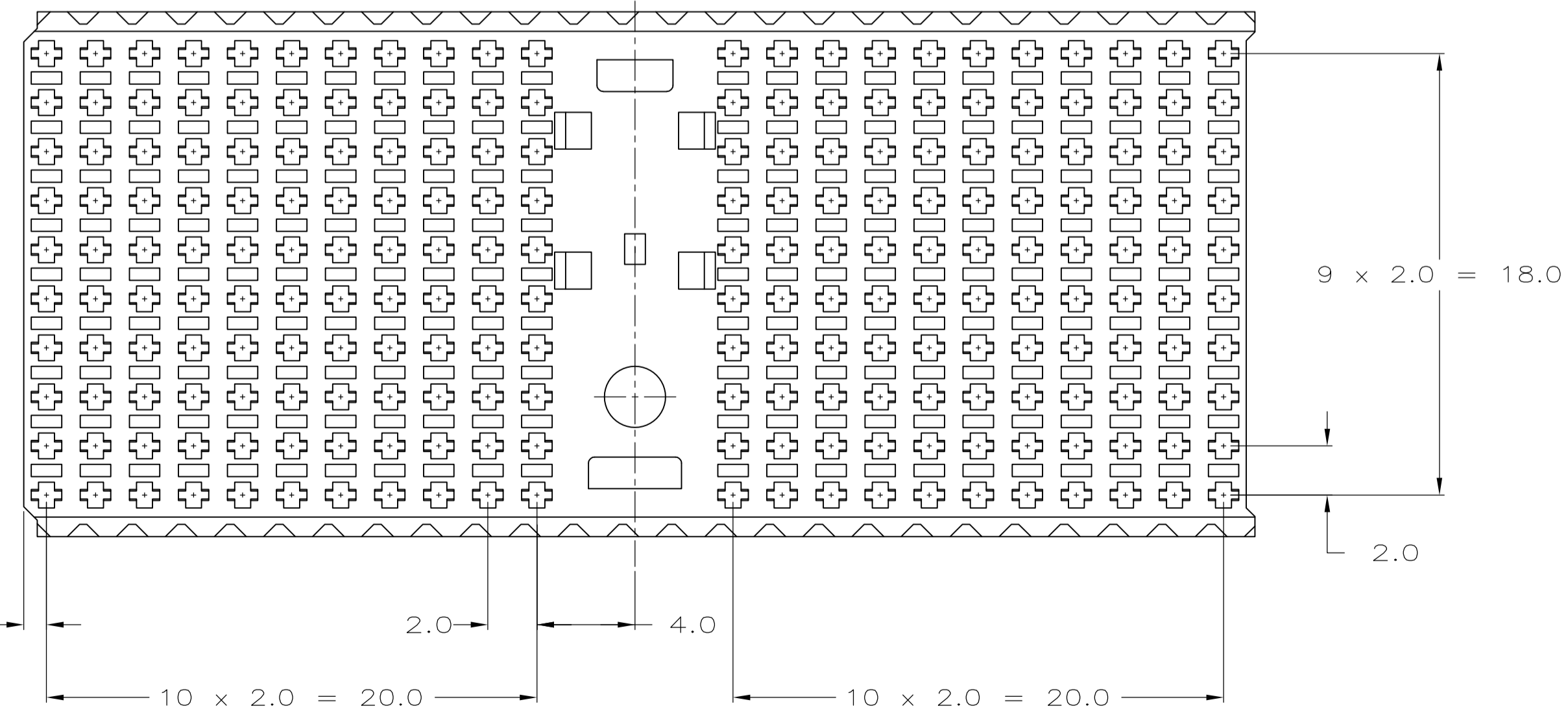
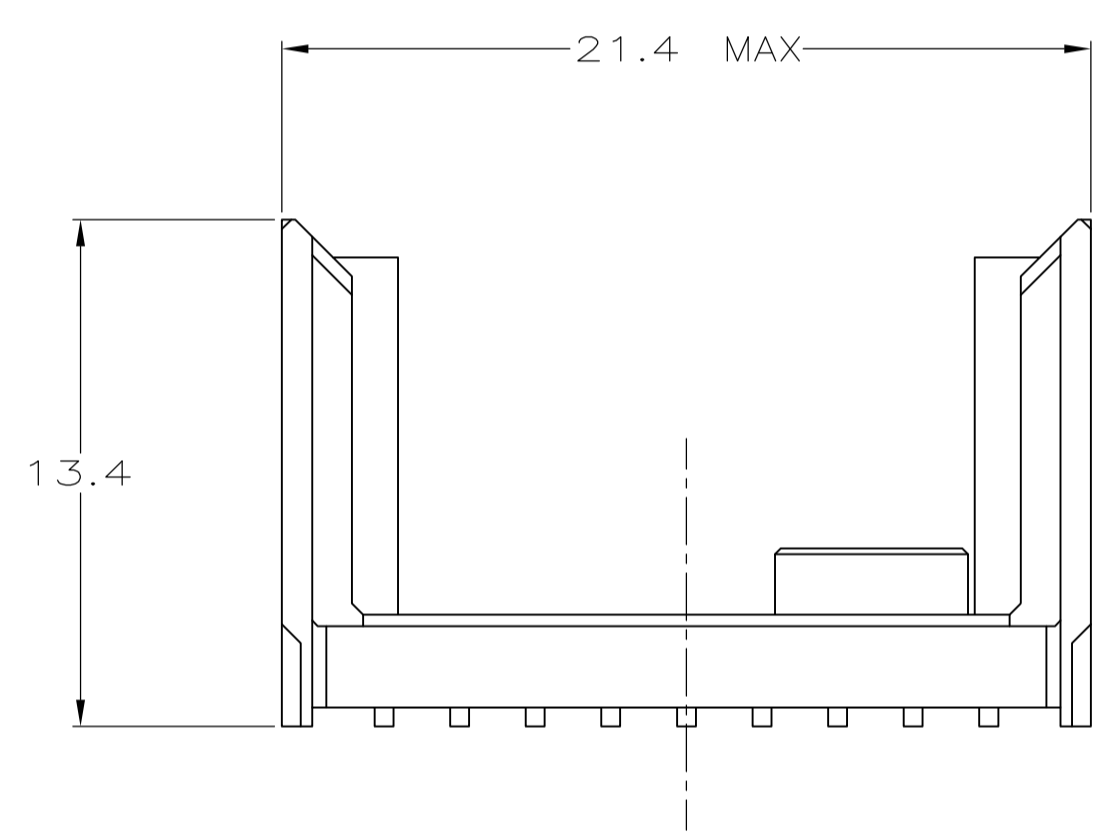
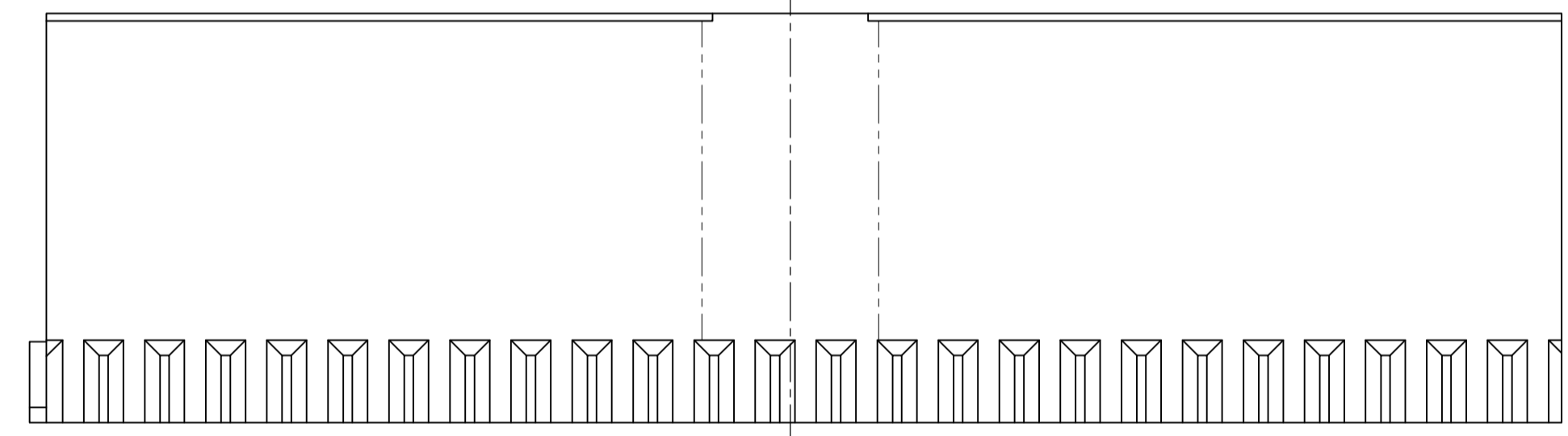


LOC		DIST		REVISIONS			
P	LTR	DESCRIPTION	DATE	DWN	APVD		
B		REVISE PER ECN OU1B-0046-00	09APR00	SU	RP		
C		ECR-10-018652	10SEP10	SW	MQW		



△ MATERIAL: GLASS-FILLED POLYESTER.



-	△	646370-2
-	M/F P/N 646344-1	646370-1
FINISH	MATERIAL	PART NUMBER

<small>THIS DRAWING IS A CONTROLLED DOCUMENT FOR AMP. REPRODUCTION OR DISSEMINATION OF THIS DRAWING TO ANY OTHER ORGANIZATION SHOULD BE CONTACTED FOR THE LATEST REVISION.</small>		DWN: J. LOCONDRO 24JUL96 CHK: G. P. GOGAN 24JUL96 PROD: G. P. GOGAN 24JUL96 PRODUCT SPEC: - APPLICATION SPEC: - WEIGHT: - CUSTOMER DRAWING: -	AMP AMP Incorporated Harrisburg, PA 17105-3608
DIMENSIONS: mm 	TOLERANCES UNLESS OTHERWISE SPECIFIED: 0-PLC ± 1-PLC ±0.1 2-PLC ± 3-PLC ± 4-PLC ± ANGLES ±	NAME: G. P. GOGAN SIZE: A1 CAGE CODE: 00779 DRAWING NO: 646370 SCALE: 5:1 SHEET: 1 OF 1 REV: C	PRODUCT SPEC: - APPLICATION SPEC: - WEIGHT: - CUSTOMER DRAWING: -

单击下面可查看定价，库存，交付和生命周期等信息

[>>TE Connectivity\(泰科\)](#)