

THIS DRAWING IS UNPUBLISHED.

RELEASED FOR PUBLICATION

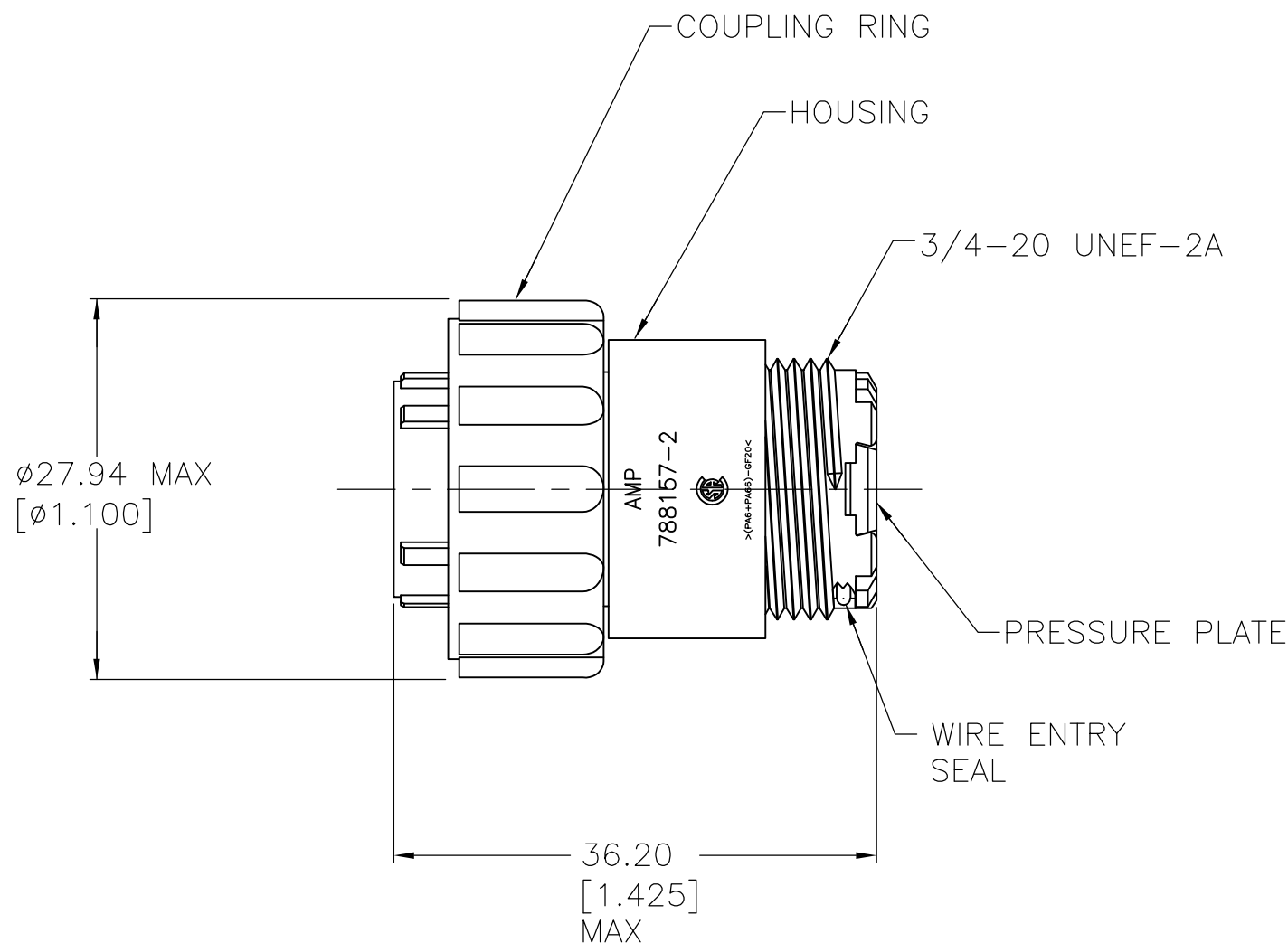
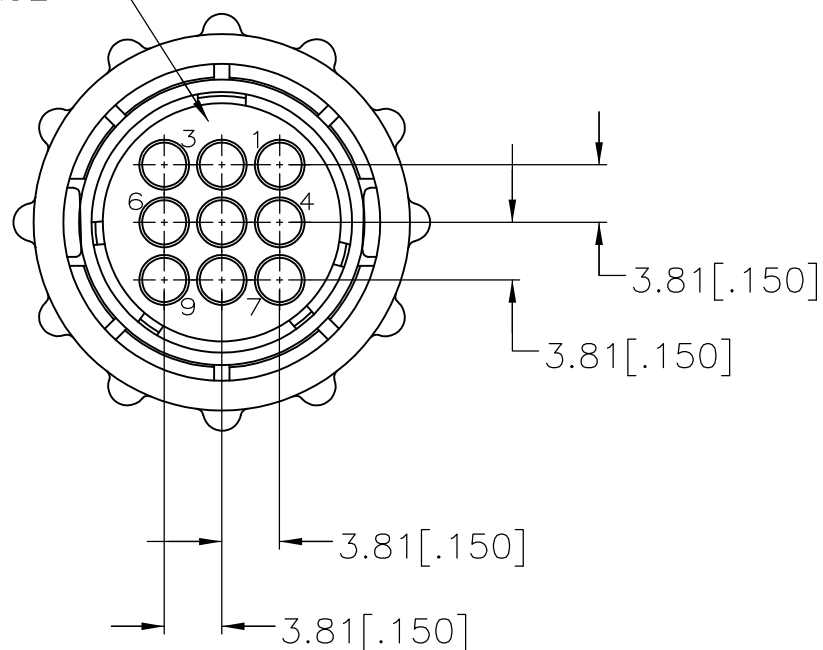
ALL RIGHTS RESERVED.

© COPYRIGHT - By -

REVISIONS

P	LTR	DESCRIPTION	DATE	DWN	APVD
	B2	REVISED PER ECO-16-004800	12SEP2016	NK	MZ
	C	REVISED PER ECO-16-006378	03NOV2016	RS	MZ

MATING FACE




1 THIS PART WILL ACCEPT NINE (9) MULTIMATE SOCKET CONTACTS.

2 COUPLING RING, HOUSING, AND PRESSURE PLATE: NYLON, BLACK. WIRE ENTRY SEAL: ELASTOMER, RED-IRON OXIDE.

3 METAL COUPLING RING.

3 OBSOLETE	.065-.100	STANDARD	788157-3
	.065-.100	STANDARD	788157-2
	.040-.080	SMALL	788157-1
	WIRE INSULATION DIAMETER RANGE	INSULATION	PART NUMBER

THIS DRAWING IS A CONTROLLED DOCUMENT.		DWN C.DORWART 21 AUG 98	 TE Connectivity															
DIMENSIONS: mm [INCHES]		CHK R.WALTER 21 AUG 98				NAME PLUG ASSEMBLY, 13-9, STANDARD SEX, SERIES I, SEALED, CIRCULAR PLASTIC CONNECTOR												
TOLERANCES UNLESS OTHERWISE SPECIFIED:		APVD R.WALTER 21 AUG 98																
<table border="0"> <tr> <td>0 PLC</td> <td>± -</td> </tr> <tr> <td>1 PLC</td> <td>± -</td> </tr> <tr> <td>2 PLC</td> <td>± 0.13 [.005]</td> </tr> <tr> <td>3 PLC</td> <td>± -</td> </tr> <tr> <td>4 PLC</td> <td>± -</td> </tr> <tr> <td>ANGLES</td> <td>± -</td> </tr> </table>		0 PLC	± -	1 PLC	± -	2 PLC	± 0.13 [.005]	3 PLC	± -	4 PLC	± -	ANGLES	± -	PRODUCT SPEC -	SIZE	CAGE CODE	DRAWING NO	RESTRICTED TO
0 PLC	± -																	
1 PLC	± -																	
2 PLC	± 0.13 [.005]																	
3 PLC	± -																	
4 PLC	± -																	
ANGLES	± -																	
MATERIAL		FINISH	A3 00779		C-788157	-												
2		-	CUSTOMER DRAWING		SCALE 2:1	SHEET 1 OF 1	REV C											

单击下面可查看定价，库存，交付和生命周期等信息

[>>TE Connectivity\(泰科\)](#)