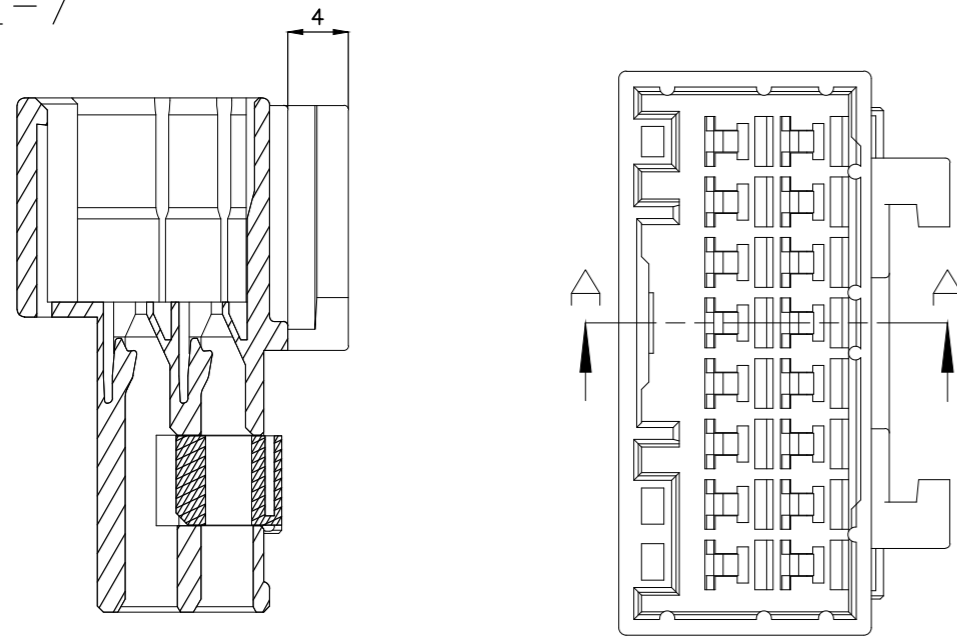
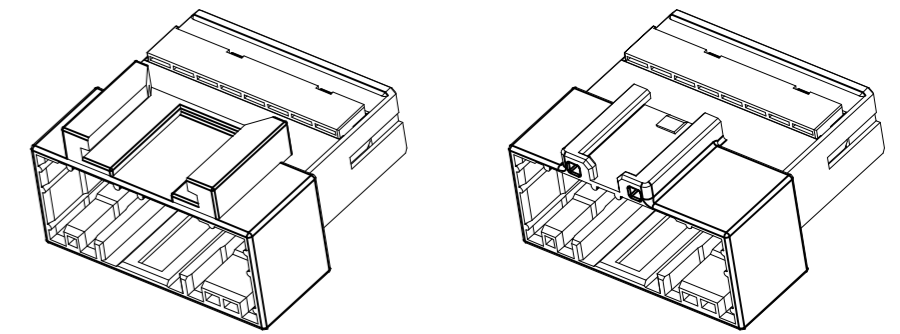
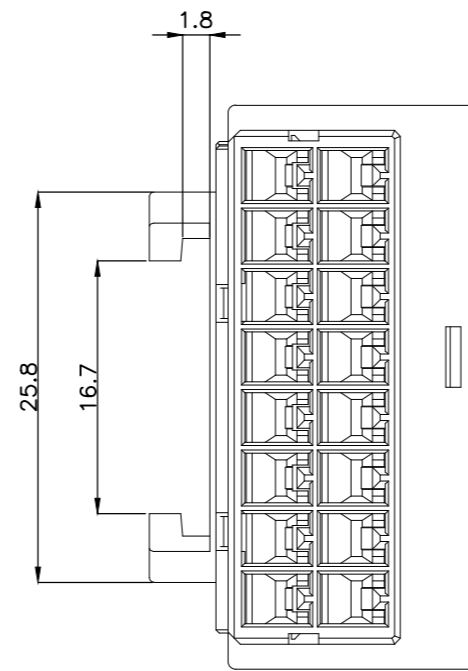
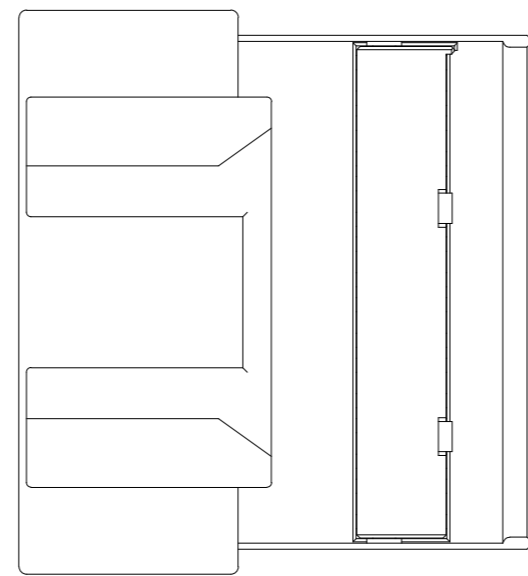


TYPE B (DELPHI CLIP MOUNTING TYPE)
1-936211-7

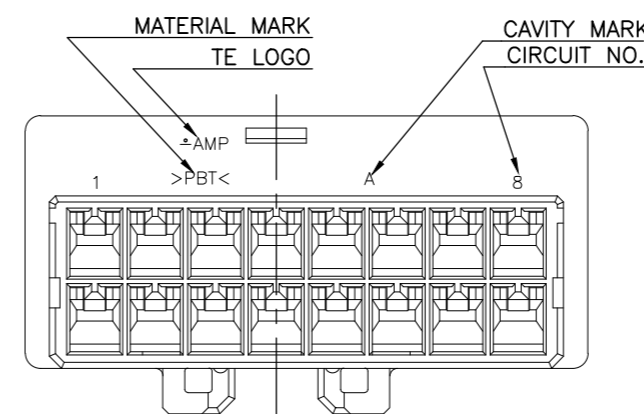
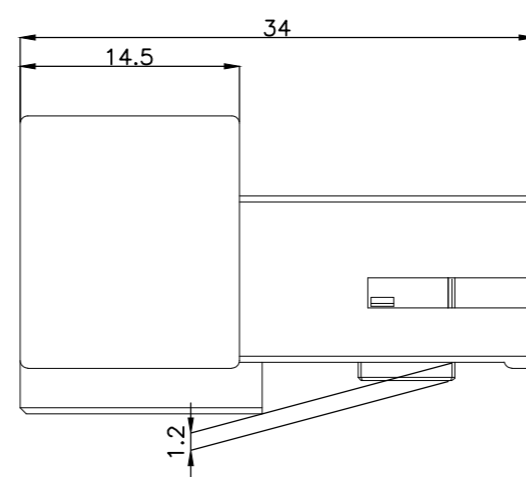
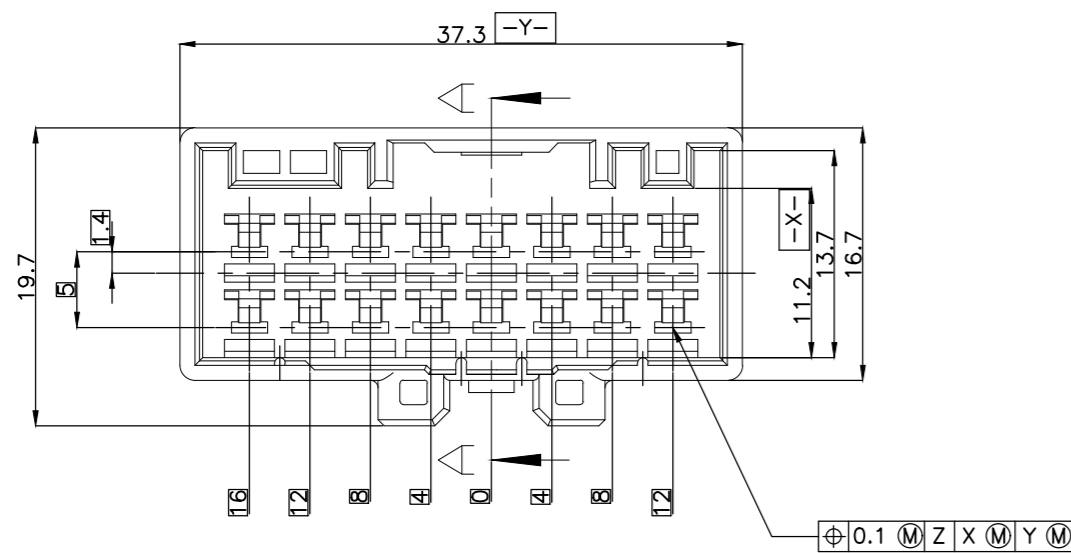


SECTION A-A



SCALE 1/2
3D VIEW

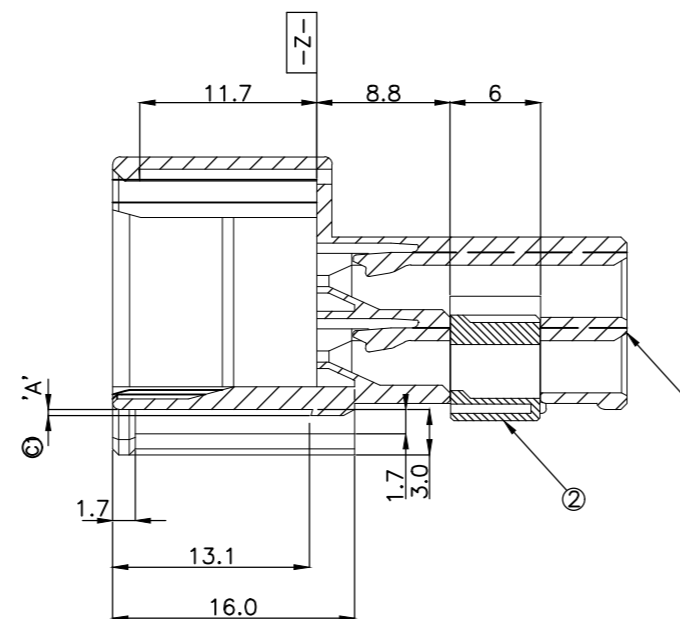
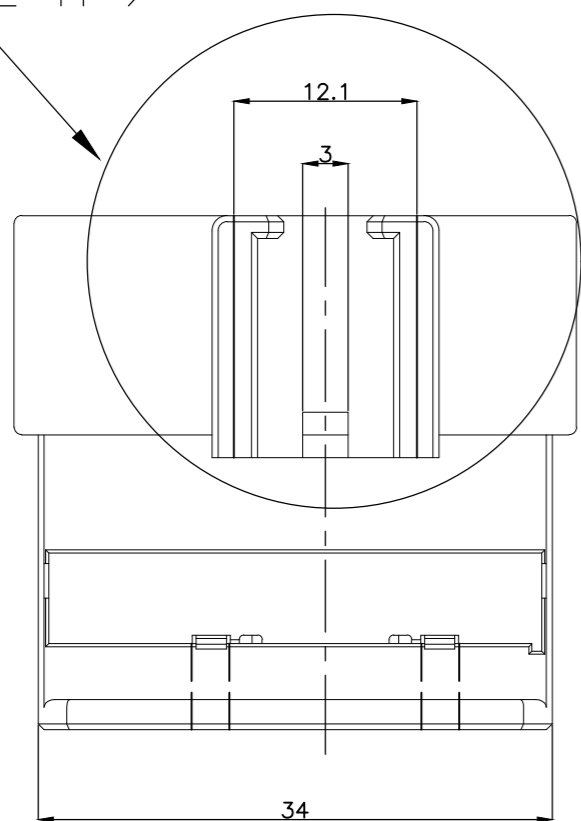
REVISIONS					
P	LTR	DESCRIPTION	DATE	DWN	APVD
C3		REVISED ECR--20--006447	16JUL2020	VI	SPB



NO.	TYPE	DIMENSION 'A'
1	TYPE A	0.4
2	TYPE C	0.7

- NOTES:
- THE MATING HSG. P/N ; 936201
 - APPLIED CONTACT P/N ; 090 II TAB. - 368086, 368087, 368088, 1897752
 - ADATABLE CLIP P/N OF 2-936211-6: 1743455-X

< TYPE A >



SECTION A-A

NO.	COLOR	MATERIAL	DESCRIPTION	QTY
1	RED	PBT	CAP (TYPE C)	1
	GREEN	PBT	CAP (TYPE B)	1
	BLUE	PBT	CAP (TYPE A)	1
	GREEN	PBT	CAP (TYPE A)	1
	RED	PBT	CAP (TYPE A)	1
	YELLOW	PBT	CAP (TYPE A)	1
	BROWN	PBT	CAP (TYPE A)	1
	L/GRAY	PBT	CAP (TYPE A)	1
	BLACK	PBT	CAP (TYPE A)	1
	NATURAL	PBT	CAP (TYPE A)	1
2	NATURAL	PBT	DBL	1

THIS DRAWING IS A CONTROLLED DOCUMENT.

DWN: JM JEON
CHK: JM JEON
APVD: JW JUNG
PRODUCT SPEC

TE Connectivity

NAME: 090III 16P CAP ASS'Y

SIZE: A2 CAGE CODE: 00779 DRAWING NO: 936211 RESTRICTED TO: -

WEIGHT: 0

CUSTOMER DRAWING

SCALE: 2:1 SHEET: 1 of 1 REV: C3

TOLERANCES UNLESS OTHERWISE SPECIFIED:

0 <XX<10	± 0.2
10<XX<30	± 0.25
30<XX	± 0.3
ANGLES	± 3°

TOLERANCES UNLESS OTHERWISE SPECIFIED:

0 PLC	± -
1 PLC	± -
2 PLC	± -
3 PLC	± -
4 PLC	± -
ANGLES	± -

单击下面可查看定价，库存，交付和生命周期等信息

[>>TE Connectivity\(泰科\)](#)