

4

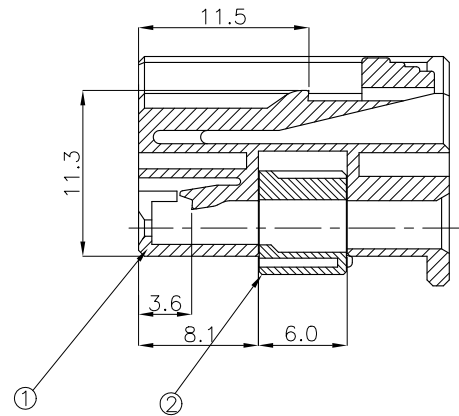
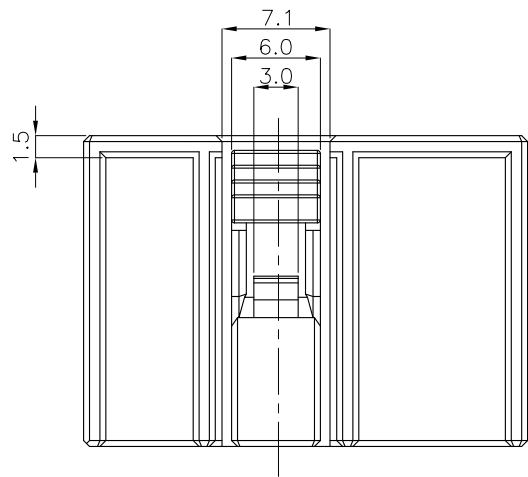
3

2

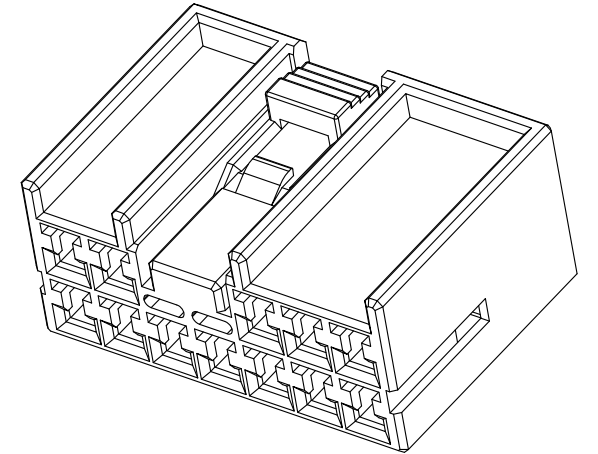
1

THIS DRAWING IS UNPUBLISHED. RELEASED FOR PUBLICATION
 © COPYRIGHT BY TYCO ELECTRONICS CORPORATION, ALL RIGHTS RESERVED.

LOC	DIST	REVISIONS					
		P	LTR	DESCRIPTION	DATE	DWN	APVD
DS	-		B	REVISED (ECR-06-023165)	09.OCT.'06	BS	JK
			B1	REVISED (ECR-09-005043)	24.MAR.'09	KT	HG



SECTION A-A

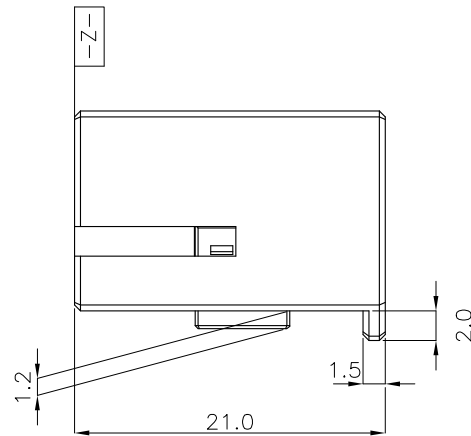
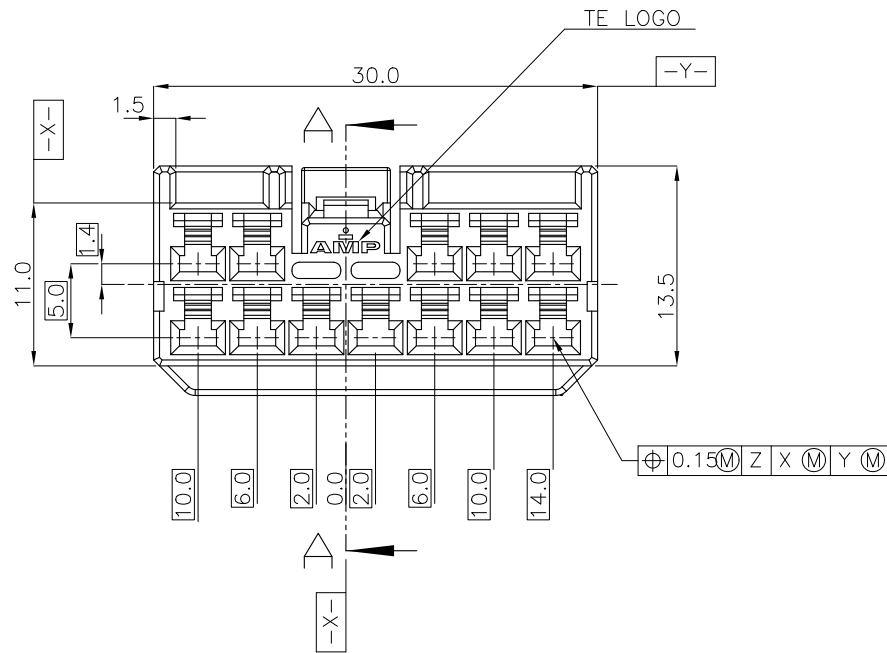


NOTES.

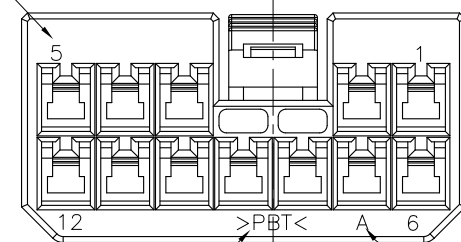
- THE MATING HSG. P/N ; 936207
- APPLIED CONTACT P/N ;
 090 II REC.- 368083,368084,368085
 090 III REC.- 1743654,1743655,1743656,1897753,1897598

-추가-

- 상대 하우징 P/N. : 936207
- 적용단자 P/N. : 090 II REC.- 368083,368084,368085
 090 III REC.- 1743654,1743655,1743656,1897753,1897598



CIRCUIT NO.



MATERIAL MARK

CAVITY MARK

ASSY P/N
0-936196-8
0-936196-5
0-936196-4
0-936196-3
0-936196-2
0-936196-1

NO	COLOR	MATERIAL	DESCRIPTION	P/N	QTY
1	BLUE	PBT	PLUG	0-936197-8	1
	YELLOW	PBT	PLUG	0-936197-5	1
	BROWN	PBT	PLUG	0-936197-4	1
	D/GRAY	PBT	PLUG	0-936197-3	1
	BLACK	PBT	PLUG	0-936197-2	1
2	NATURAL	PBT	DBL	0-936198-1	1 1 1 1 1 1

THIS DRAWING IS A CONTROLLED DOCUMENT FOR TYCO ELECTRONICS CORPORATION
 IT IS SUBJECT TO CHANGE AND THE CONTROLLING ENGINEERING ORGANIZATION
 SHOULD BE CONTACTED FOR THE LATEST REVISION.

DIMENSIONS: MM	TOLERANCES UNLESS OTHERWISE SPECIFIED: 0 <XX<10 ± 0.2 10<XX<30 ± 0.25 30<XX ± 0.3 ANGLES ± 3°

MATERIAL	FINISH
SEE TABLE	

DWN KT JUNG
 CHK JW JUNG
 APVD HG CHD
 PRODUCT SPEC -
 APPLICATION SPEC -
 WEIGHT -

Tyco Electronics AMP KOREA, Kyungsan, Korea

NAME: 090III 12P PLUG ASS'Y

SIZE: A3 CAGE CODE: 00779 DRAWING NO: C-936196 RESTRICTED TO: -

CUSTOMER DRAWING SCALE: 2/1 SHEET: 1 OF 1 REV: B1

单击下面可查看定价，库存，交付和生命周期等信息

[>>TE Connectivity\(泰科\)](#)