

THIS DRAWING IS UNPUBLISHED.

RELEASED FOR PUBLICATION

ALL RIGHTS RESERVED.

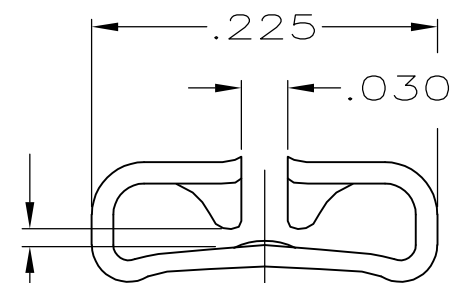
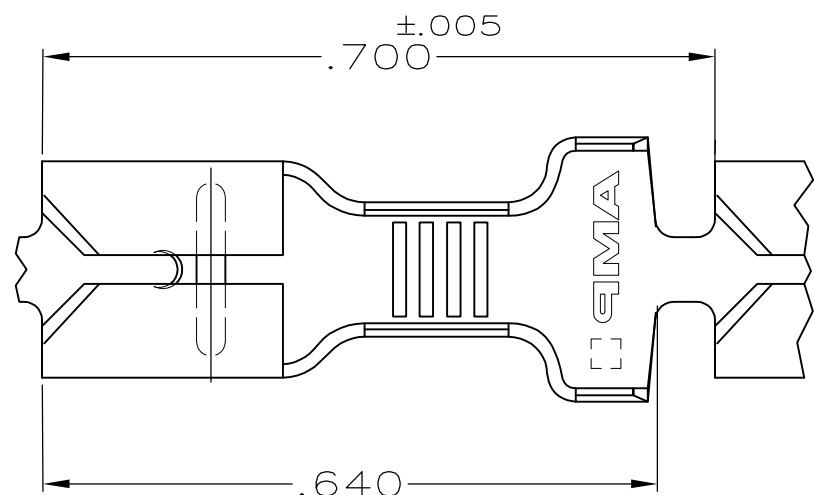
© COPYRIGHT - By -

LOC AF DIST 50

REVISIONS

P	LTR	DESCRIPTION	DATE	DWN	APVD
D		REVISED PER ECR-12-013518	23NOV2012	KH	PD

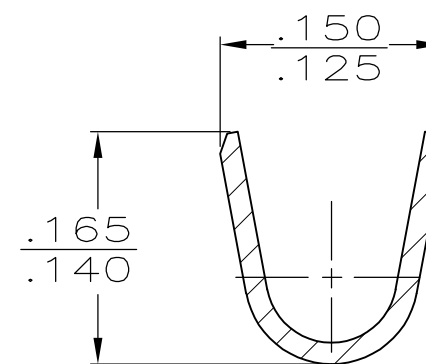
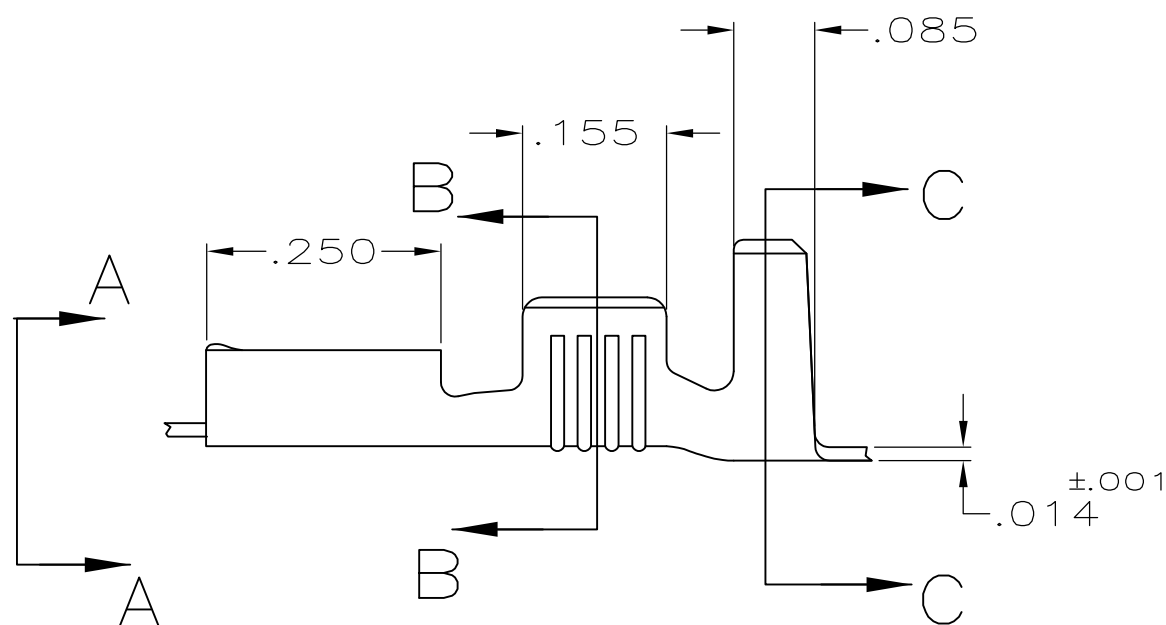
1 CONTINUOUS STRIP ON REELS.



FITS .187 SERIES FASTON TAB

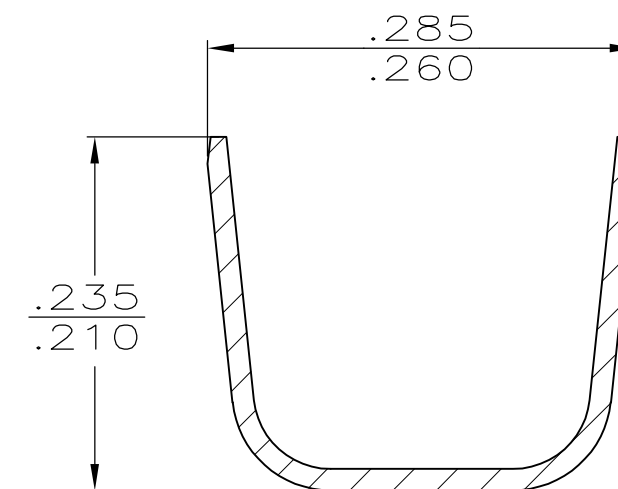
VIEW A-A

SCALE 8:1



SECTION B-B

SCALE 8:1



SECTION C-C

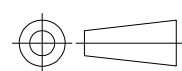
SCALE 8:1

.180 - .230 OR (2) .110 MAX	18-14 OR (2) #16'S	.020	63749-2
INSUL RANGE	WIRE SIZE	MATING TAB THK ±.001	PART NUMBER

TYPE	WIDTH	STRIP LENGTH ±.015	TYPE	WIDTH	HEIGHT ±.002	WIRE
0	.250	.220	F	.110	.066	(2) 18
					.077	(2) 16
					.071	14
					.062	16
					.056	18
INSUL BARREL CRIMP	WIRE BARREL CRIMP					

THIS DRAWING IS A CONTROLLED DOCUMENT.

DIMENSIONS: INCHES



TOLERANCES UNLESS OTHERWISE SPECIFIED:

- 0 PLC ± -
- 1 PLC ± -
- 2 PLC ± -
- 3 PLC ± .010
- 4 PLC ± -
- ANGLES ± -

MATERIAL BRASS

FINISH TIN

DWN JR RUTH 9/28/93	NAME RECEPTACLE, FASTON, .187 SERIES
CHK MS FEHER 9/28/93	
APVD P DESANTIS 9/28/93	
PRODUCT SPEC	
APPLICATION SPEC	RESTRICTED TO -
114-2036	
WEIGHT -	SIZE A3
CUSTOMER DRAWING	CAGE CODE 00779
	DRAWING NO C-63749
	SCALE 5:1
	SHEET 1 OF 1
	REV D



RECEPTACLE, FASTON, .187 SERIES

单击下面可查看定价，库存，交付和生命周期等信息

[>>TE Connectivity\(泰科\)](#)