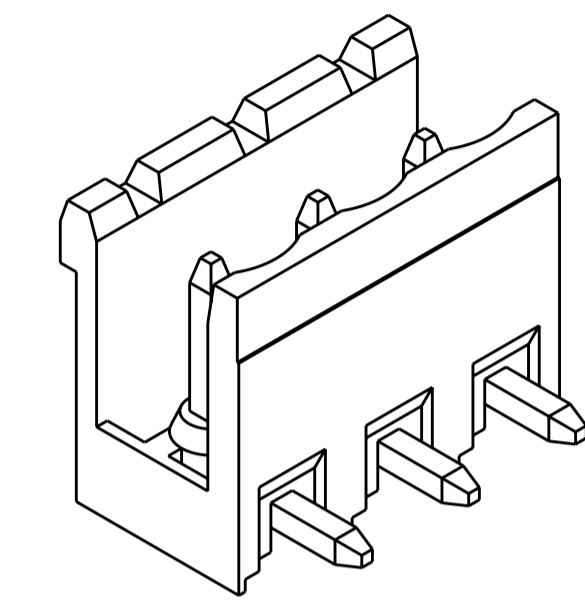
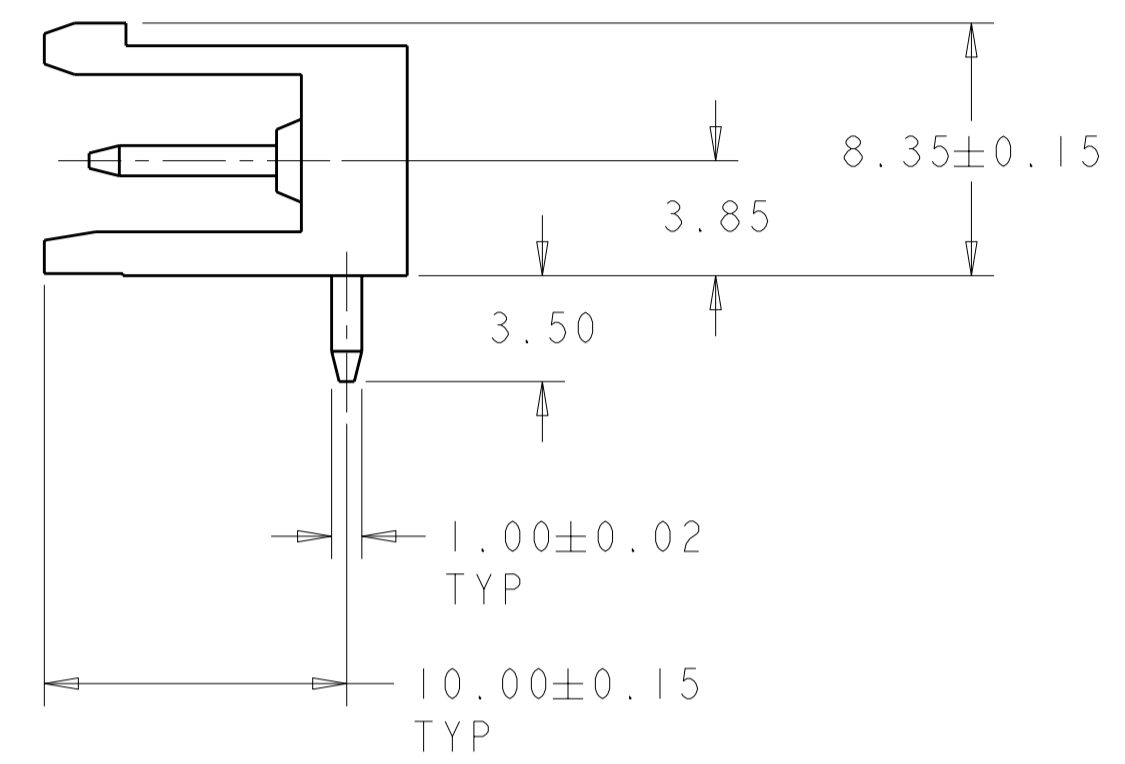
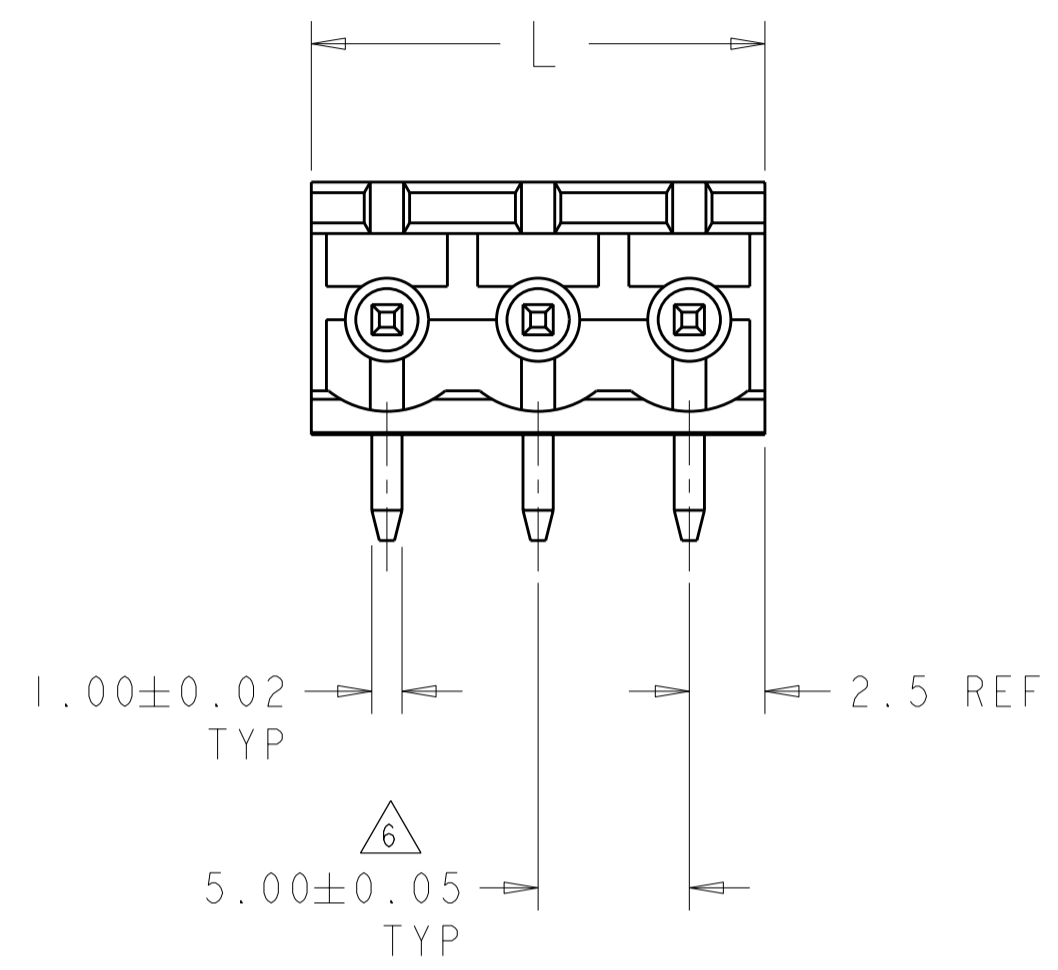
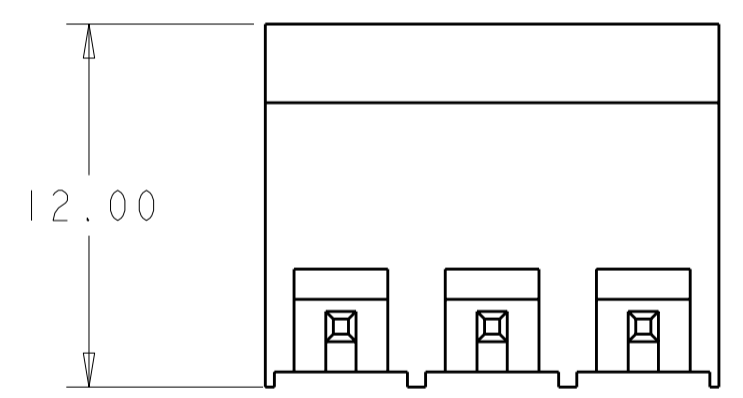


THIS DRAWING IS UNPUBLISHED. RELEASED FOR PUBLICATION 20
 © COPYRIGHT 20 BY - ALL RIGHTS RESERVED.

| LOC | | DIST | | REVISIONS | | | |
|-----|-----|---------------------------|-----------|-----------|------|--|--|
| P | LTR | DESCRIPTION | DATE | DWN | APVD | | |
| FT | 0 | | | | | | |
| | AI | REVISED PER ECO-12-007711 | 25APR2012 | KH | MS | | |

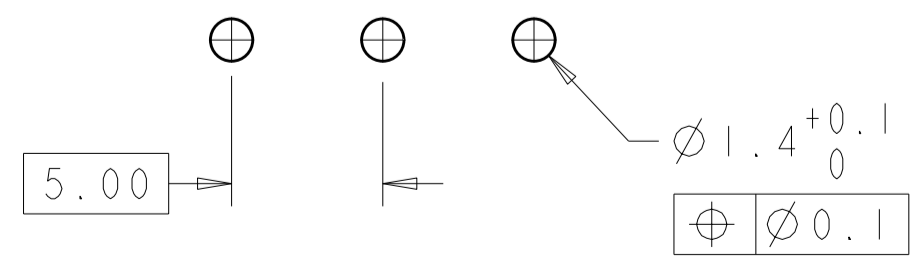


796698-3 AS SHOWN



- 1. MATERIALS AND FINISH
 HOUSING: PA 6-6, UL 94-V0, COLOR: BLUE.
 TERMINAL: COPPER ALLOY, TIN PLATED.
 - 2. SUITABLE FOR 1,6-2,4mm PC BOARD THICKNESS.
 - 3. END-TO-END STACKABLE WITHOUT LOSS OF CENTERLINE SPACING.
 - 4. RECOGNIZED UNDER THE COMPONENT PROGRAM OF UNDERWRITERS LABORATORIES INC. FILE N° E60677.
 - 5. IMQ CERTIFICATE WITH SURVEILLANCE IN CONFORMITY WITH IEC 998-1/998-2-1.
6. NOT CUMULATIVE TOLERANCE.

| | | |
|-------|------------|-------------|
| 125.0 | 25 | 2-796698-5 |
| 120.0 | 24 | 2-796698-4 |
| 115.0 | 23 | 2-796698-3 |
| 110.0 | 22 | 2-796698-2 |
| 105.0 | 21 | 2-796698-1 |
| 100.0 | 20 | 2-796698-0 |
| 95.0 | 19 | 1-796698-9 |
| 90.0 | 18 | 1-796698-8 |
| 85.0 | 17 | 1-796698-7 |
| 80.0 | 16 | 1-796698-6 |
| 75.0 | 15 | 1-796698-5 |
| 70.0 | 14 | 1-796698-4 |
| 65.0 | 13 | 1-796698-3 |
| 60.0 | 12 | 1-796698-2 |
| 55.0 | 11 | 1-796698-1 |
| 50.0 | 10 | 1-796698-0 |
| 45.0 | 9 | 796698-9 |
| 40.0 | 8 | 796698-8 |
| 35.0 | 7 | 796698-7 |
| 30.0 | 6 | 796698-6 |
| 25.0 | 5 | 796698-5 |
| 20.0 | 4 | 796698-4 |
| 15.0 | 3 | 796698-3 |
| 10.0 | 2 | 796698-2 |
| L | NO OF POSN | PART NUMBER |



RECOMMENDED PC BOARD LAYOUT

| | | | | |
|--|--|--------------------------|--------------------------------|-----------------|
| THIS DRAWING IS A CONTROLLED DOCUMENT. | | DWN S.WELDON 25OCT2007 | TE Connectivity | |
| DIMENSIONS: mm | | CHK C.RICHARD 25OCT2007 | | |
| TOLERANCES UNLESS OTHERWISE SPECIFIED: | | APVD C.RICHARD 25OCT2007 | NAME | |
| 0 PLC ±0 | | PRODUCT SPEC | TERMINAL BLOCK HEADER ASSEMBLY | |
| 1 PLC ±0.3 | | 108-20166 | 90 DEGREE, OPEN ENDS, STACKING | |
| 2 PLC ±0.25 | | APPLICATION SPEC | 5.00mm PITCH | |
| 3 PLC ±0.000 | | 114-20079 | SIZE | RESTRICTED TO |
| 4 PLC ±0.0000 | | WEIGHT | A200779 | C-796698 |
| ANGLES ±2° | | CUSTOMER DRAWING | SCALE 3:1 | SHEET OF REV AI |
| FINISH | | | | |

单击下面可查看定价，库存，交付和生命周期等信息

[>>TE Connectivity\(泰科\)](#)