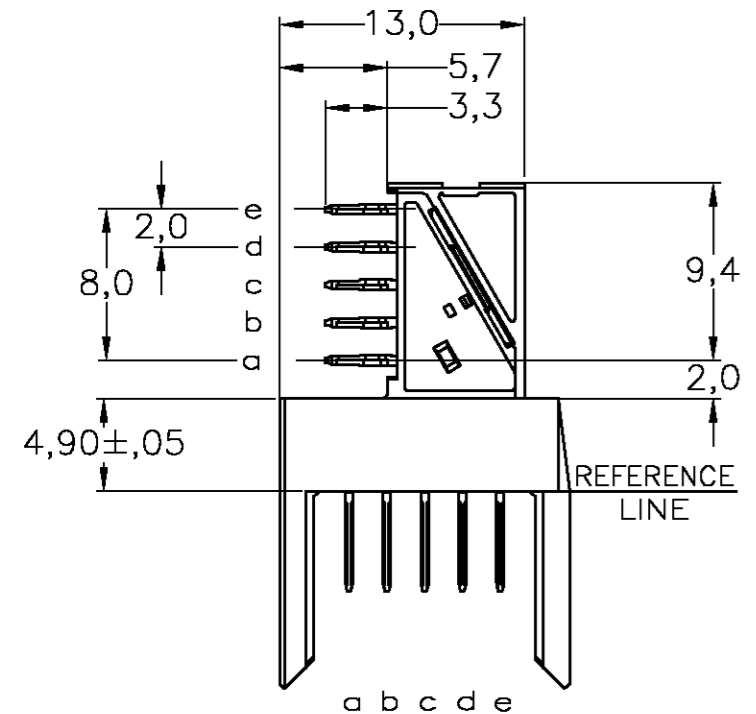
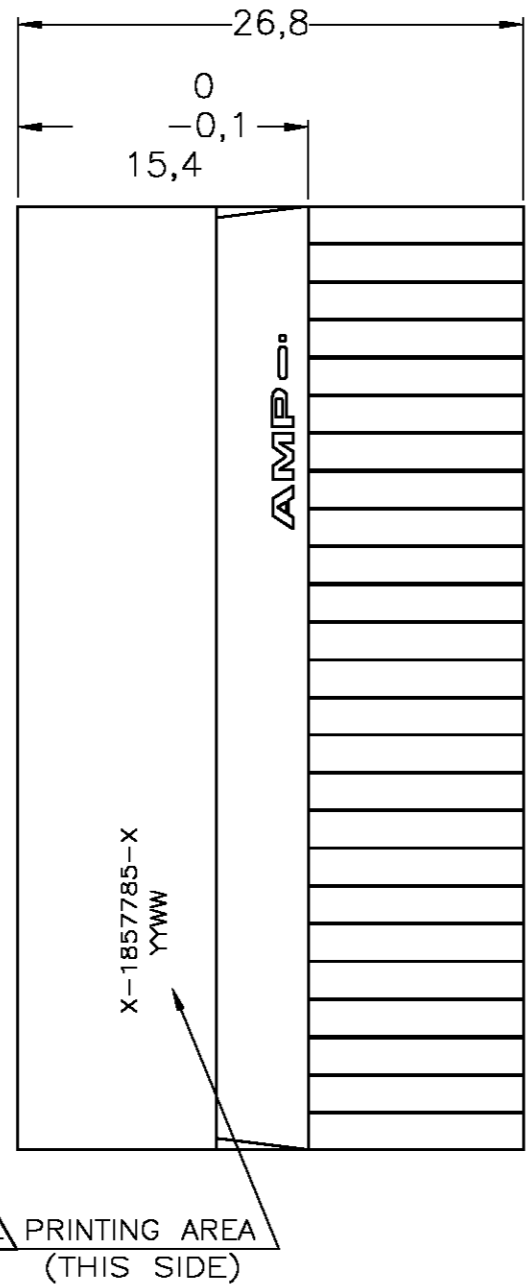
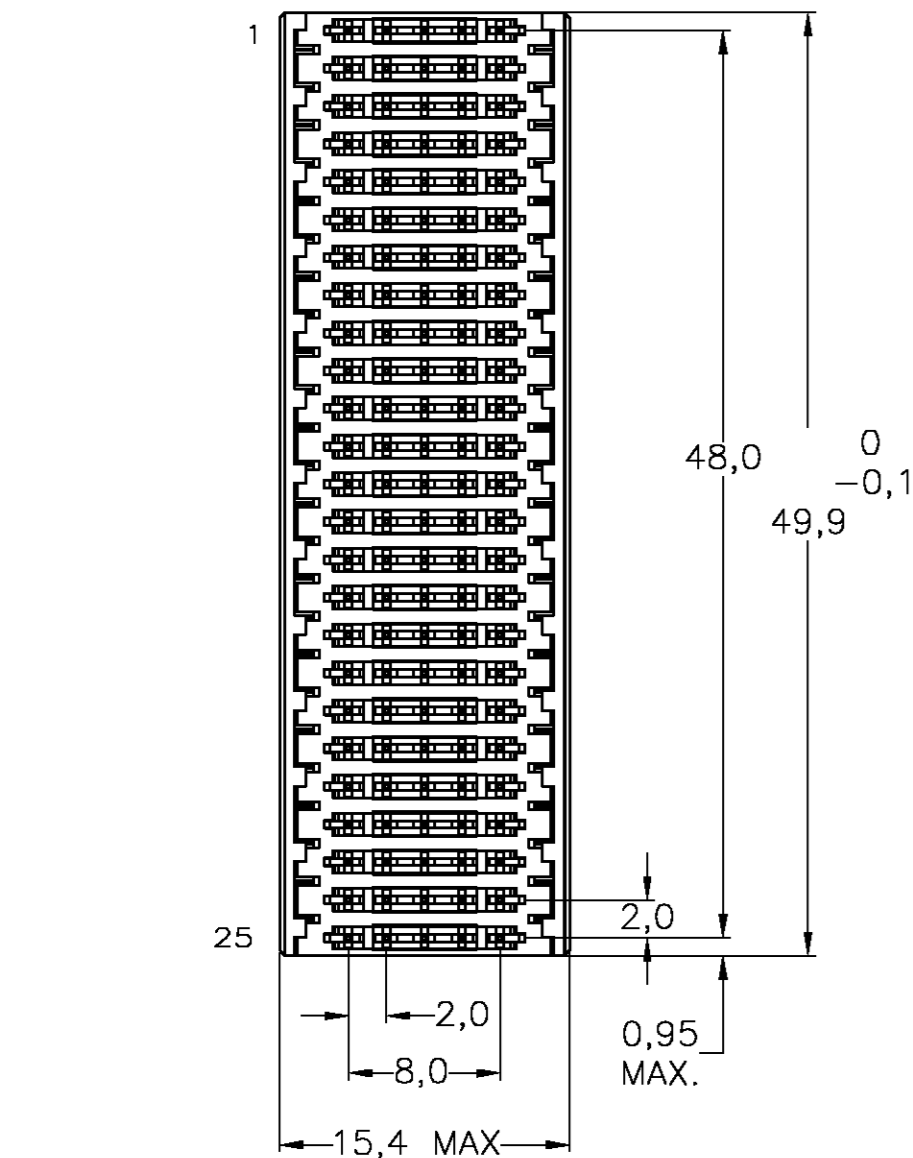


THIS DRAWING IS UNPUBLISHED. RELEASED FOR PUBLICATION  
 © COPYRIGHT BY TYCO ELECTRONICS CORPORATION. ALL RIGHTS RESERVED.

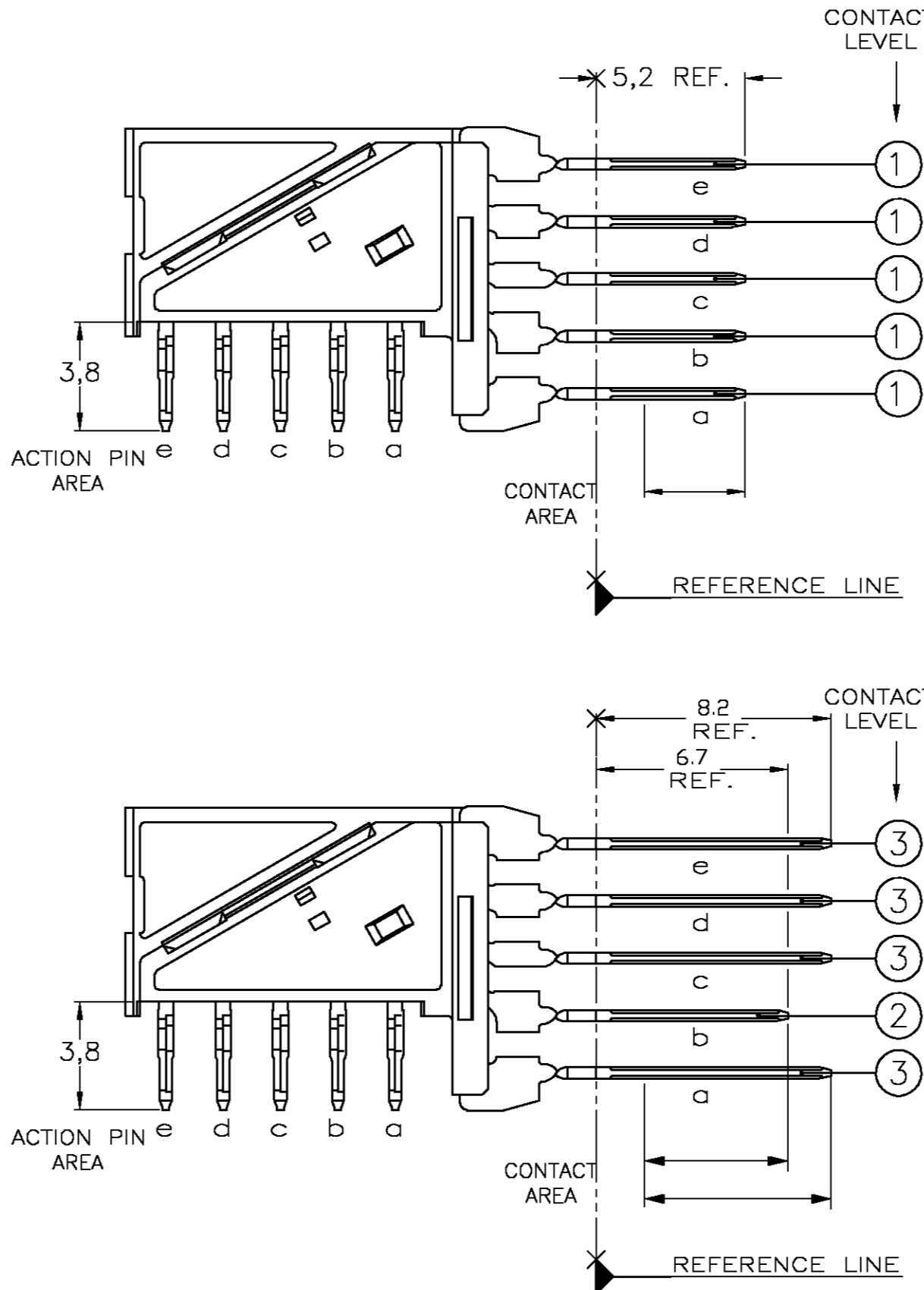
LOC	DIST	REVISIONS					
H	-	P	LTR	DESCRIPTION	DATE	DWN	APVD
		-	-	FIRST ISSUE	-	-	-



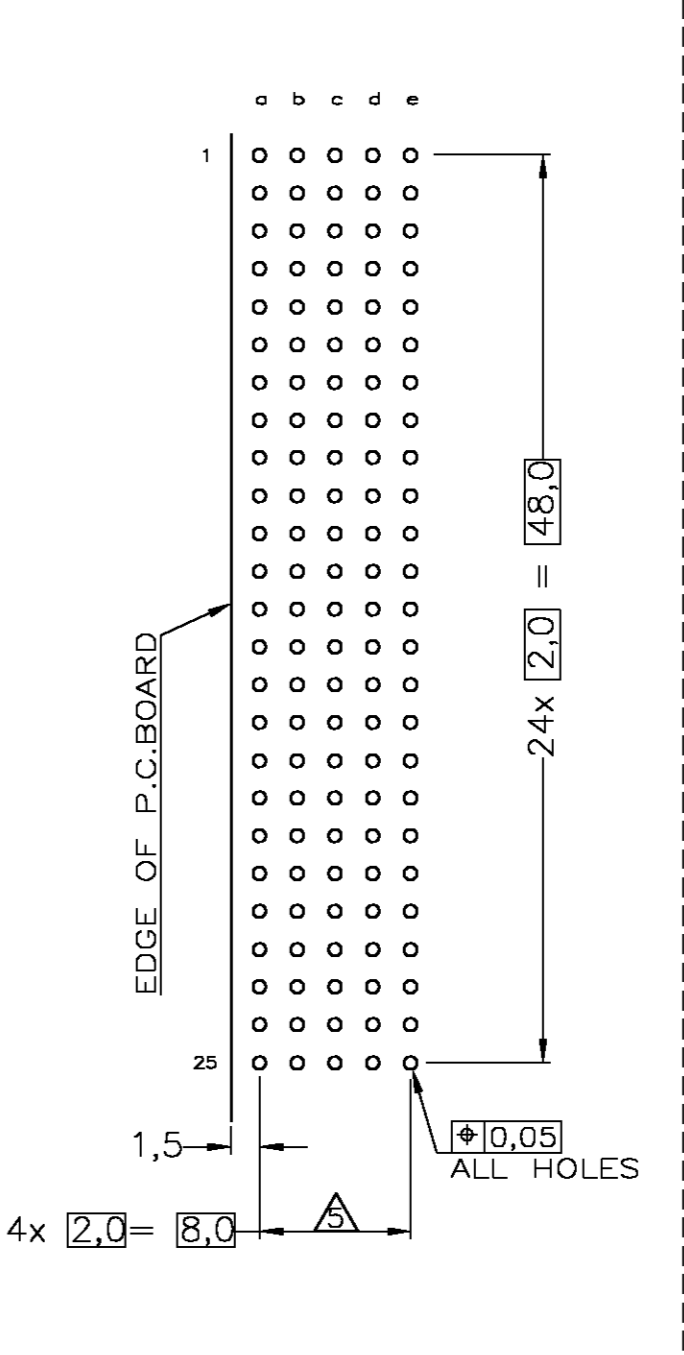
CONNECTOR ASSEMBLY  
EXEMPLARY LOADED



CONTACT DIMENSIONS



RECOMMENDED PCB-HOLE LAY-OUT  
COMPONENT SIDE SHOWN



P.C.B. HOLE DIM. ACTION PIN  
FOR DETAILS SEE  
APPLICATION SPECIFICATION

CONTACT LAYOUT

	a	b	c	d	e
1	1	1	1	1	1
2	1	1	1	1	1
3	3	2	3	3	3
4	1	1	1	1	1
5	1	1	1	1	1
6	1	1	1	1	1
7	3	2	3	3	3
8	1	1	1	1	1
9	1	1	1	1	1
10	1	1	1	1	1
11	3	2	3	3	3
12	1	1	1	1	1
13	1	1	1	1	1
14	1	1	1	1	1
15	3	2	3	3	3
16	1	1	1	1	1
17	1	1	1	1	1
18	1	1	1	1	1
19	3	2	3	3	3
20	1	1	1	1	1
21	1	1	1	1	1
22	1	1	1	1	1
23	3	2	3	3	3
24	1	1	1	1	1
25	1	1	1	1	1

NOTES:

- ⚠ MATERIAL HOUSING : GREY GLASSFILLED POLYESTER  
UL-RATING V0
- ⚠ CONTACT : PHOSPHORBRONZE
- ⚠ GENERAL PLATING SPECIFICATION: UNDERPLATING (ENTIRE CONTACT):  
1,27µm NICKEL MIN. AND ACTION PIN: 0,5µm TIN MIN.  
FOR PLATING OF MATING SURFACES SEE APPLICABLE SPECIFICATION  
REFERENCE FOR EACH DASH NUMBER.
- ⚠ CONFORMS TO ALL TESTING ACCORDING IEC 61076-4-101  
PERFORMANCE LEVEL 2.
- ⚠ CONNECTOR PRINTED WITH PARTNUMBER AND DATECODE.
- ⚠ PLATED-THROUGH HOLES AT 2x2mm SQUARE GRID.

THIS DRAWING IS A CONTROLLED DOCUMENT.		DWN B. MOOIJ 08-JUN-06	Tyco Electronics Corporation 's-Hertogenbosch, Netherlands	
DIMENSIONS: MM		CHK B. MOOIJ 08-JUN-06		
TOLERANCES UNLESS OTHERWISE SPECIFIED:		APVD J. BROEKSTEEG 08-JUN-06	NAME	
0 PLC ± -		PRODUCT SPEC		Z-PACK 2MM HM TYPE B 125 POS. RIGHT ANGLE MALE CONNECTOR ASSEMBLY
1 PLC ± -		APPLICATION SPEC		
2 PLC ± -		108-19082		RESTRICTED TO
3 PLC ± -		114-19029		
4 PLC ± -		WEIGHT -		SIZE A2
ANGLES ± -		CAGE CODE 00779		DRAWING NO. C=1857785
FINISH -		CUSTOMER DRAWING		SCALE NTS
		SHEET 1 OF 1		REV A

单击下面可查看定价，库存，交付和生命周期等信息

[>>TE Connectivity\(泰科\)](#)