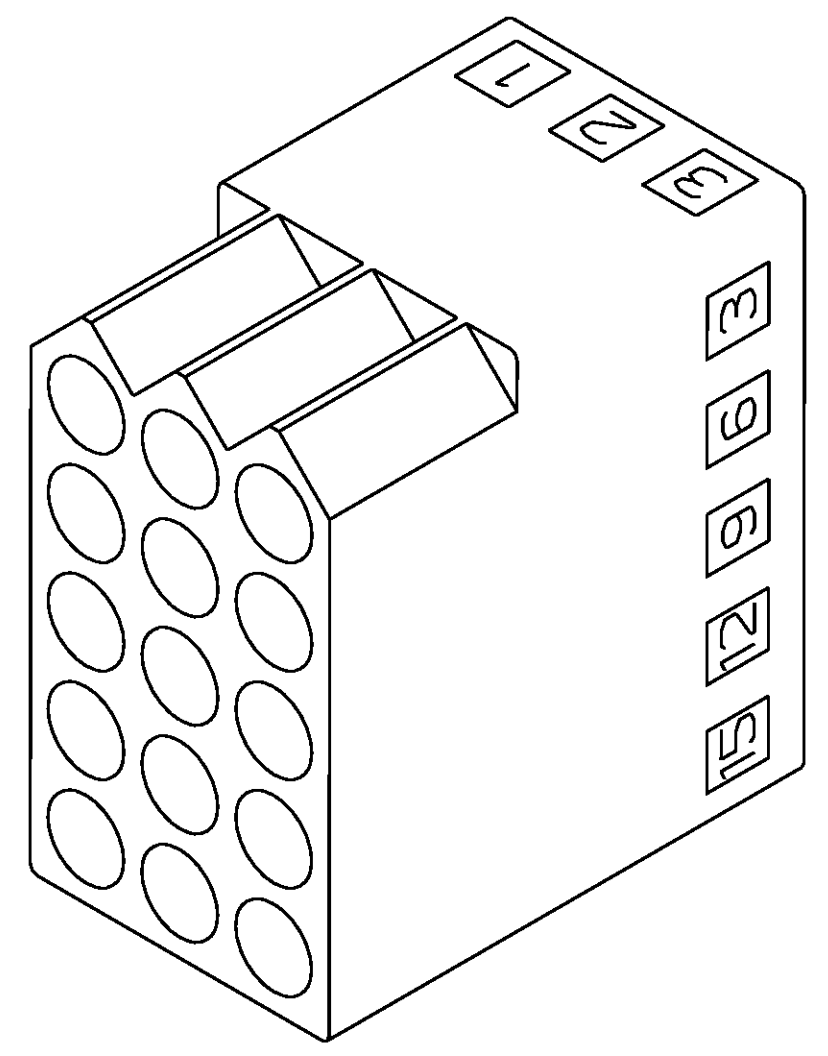
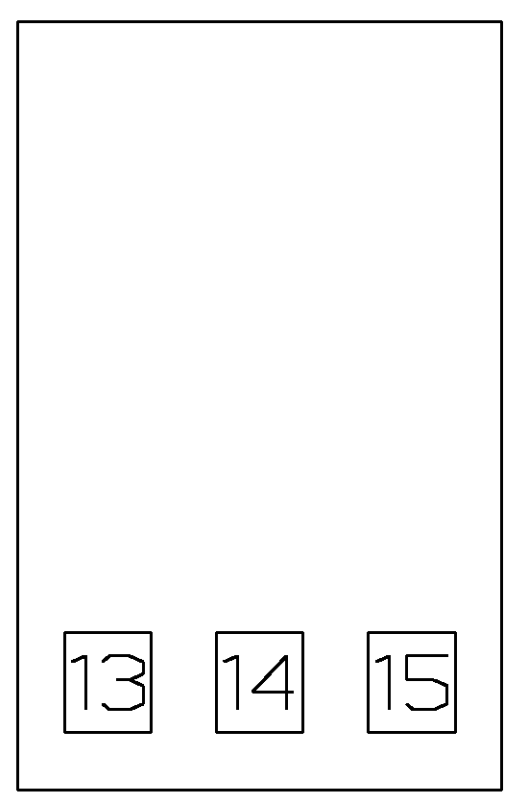
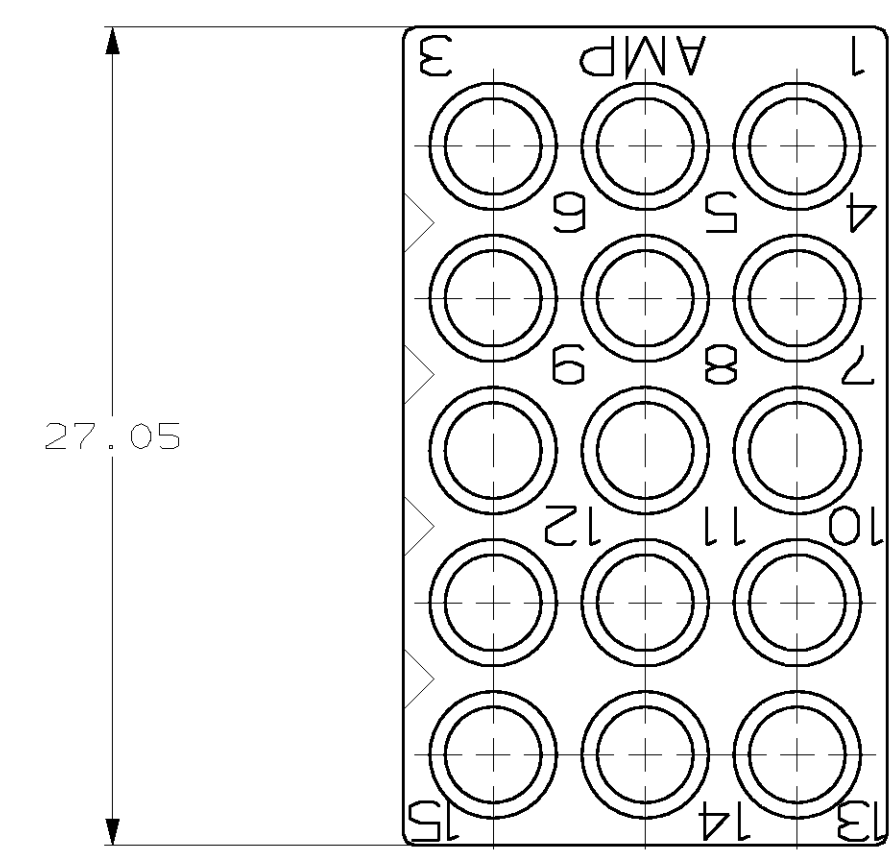
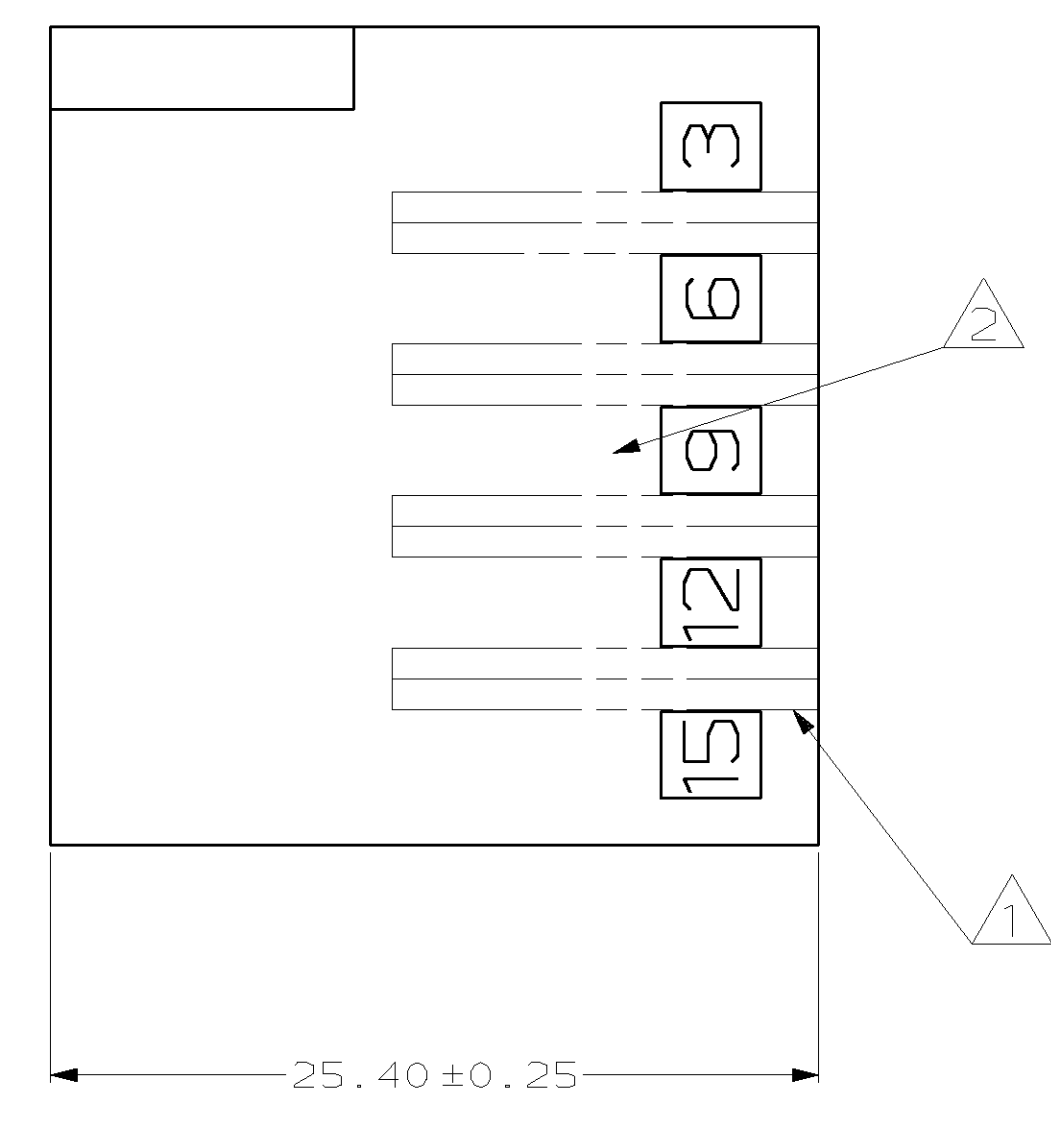
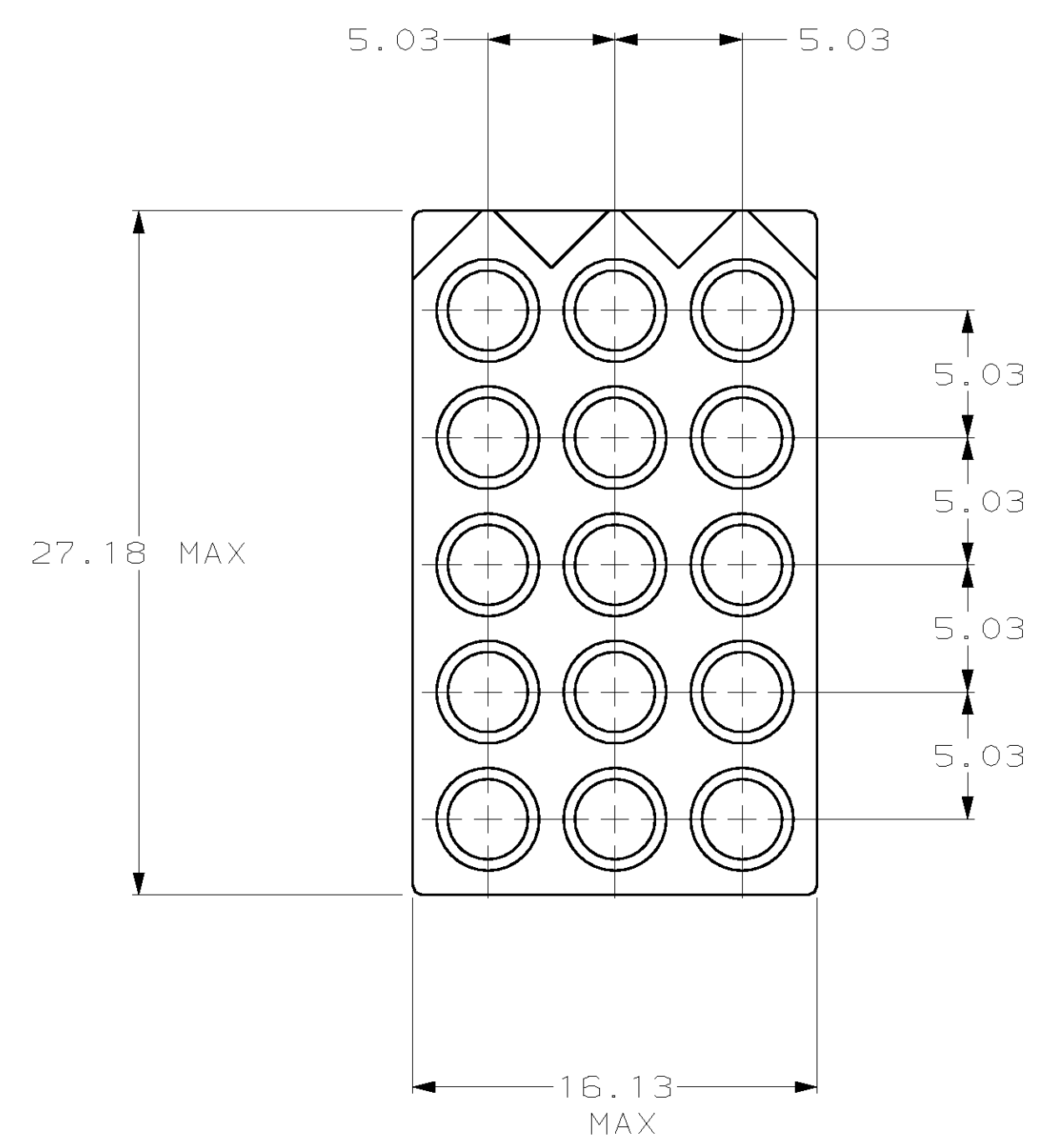
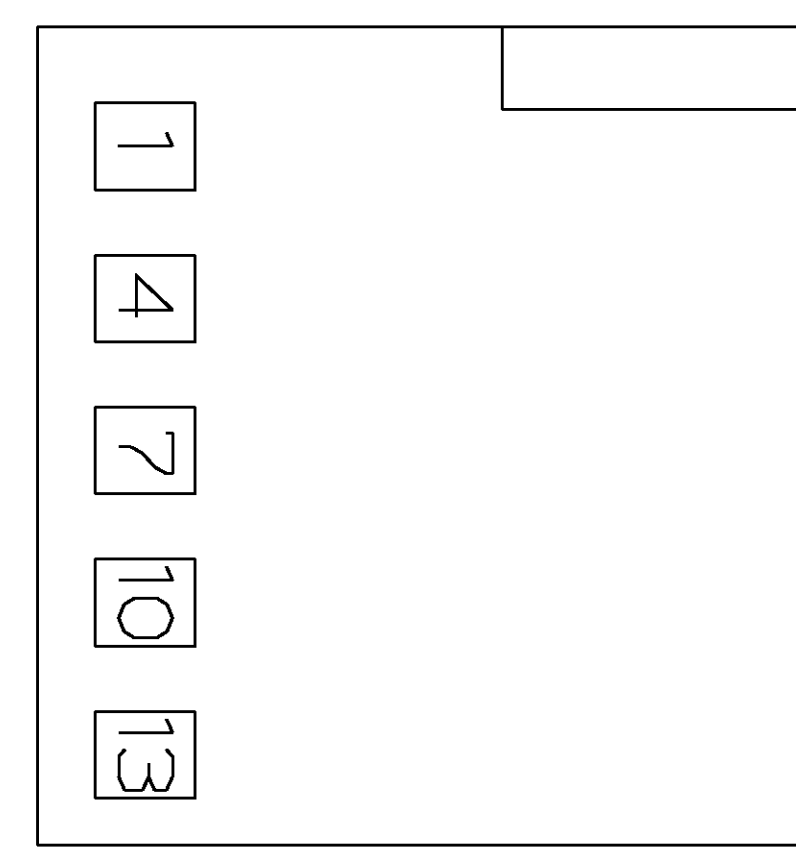
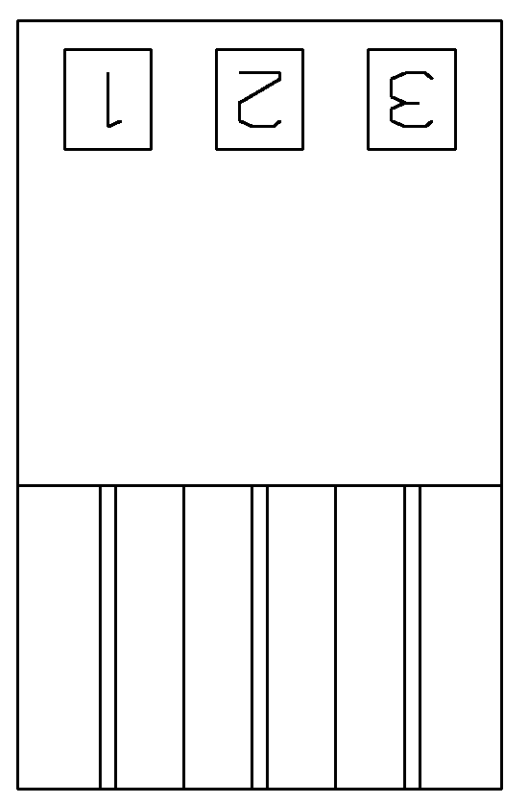


LOC	DIST	REVISIONS			
F	LTN	DESCRIPTION	DATE	OWN	APVD
G		REV & REDWN PER EC 0G1B-00B7-99	04-JUN-99	KW	J5

OPTIONAL CONSTRUCTION.  
 MARKING FOR UL LOGO AND CSA LOGO LOCATED APPROXIMATELY AS SHOWN.



3-DIMENSIONAL MODEL  
 NTS

MM	IN
27.18	1.070
27.05	1.065
25.40	1.000
16.13	.635
5.03	.198
2.36	.093
0.25	.010
0.13	.005
MM	IN

CONVERSION TABLE

**METRIC**

770105-1  
 PART NUMBER

THIS DRAWING IS A CONTROLLED DOCUMENT.		DWN K. WHITAKER 04-JUN-1999	AMP Incorporated Harrisburg, PA 17105-3608
DIMENSIONS:		CHK: J. SCHLUNZ 04-JUN-1999	
TOLERANCES UNLESS OTHERWISE SPECIFIED:		APVD: J. SCHLUNZ 04-JUN-1999	NAME RECEPTACLE, 15 CIRCUIT, .093 COMMERCIAL PIN AND SOCKET
0 PLC ± 1 PLC ± 2 PLC ±0.13 3 PLC ± 4 PLC ± DIMLES ±		PRODUCT SPEC	RESTRICTED TO
MATERIAL NYLON, JL 94V-2, NATURAL		APPLICATION SPEC	SIZE CAGE CODE DRAWING NO A100779-770105
FINISH -		HEIGHT -	SCALE 4:1 SHEET 1 OF 1 REV G
CUSTOMER DRAWING			

单击下面可查看定价，库存，交付和生命周期等信息

[>>TE Connectivity\(泰科\)](#)