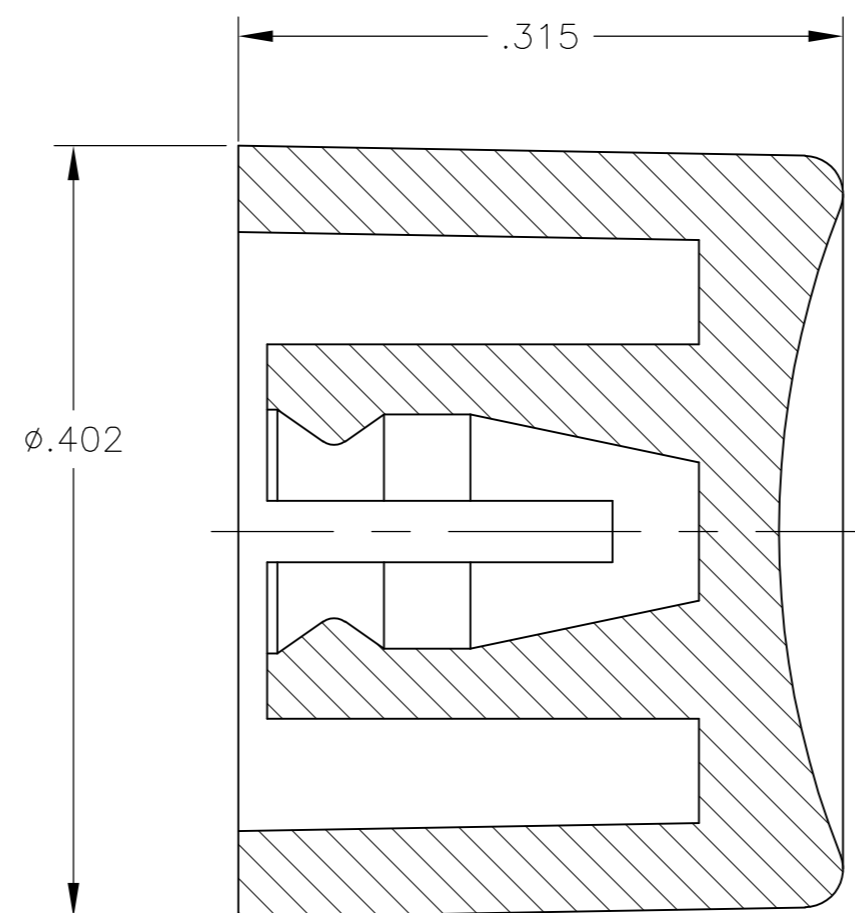
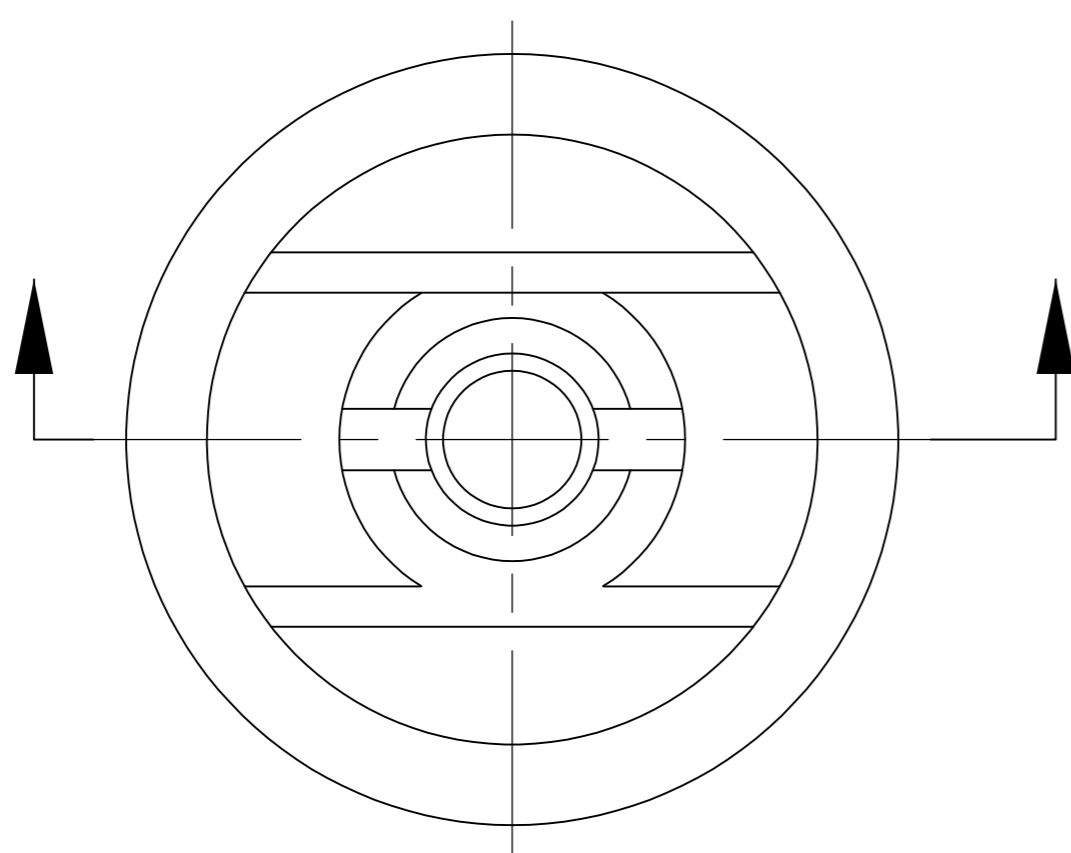


THIS DRAWING IS UNPUBLISHED. RELEASED FOR PUBLICATION
 © COPYRIGHT - By - ALL RIGHTS RESERVED.

| LOC | | DIST | | REVISIONS | | | |
|-----|-----|---------------------------|--|-----------|-----|------|--|
| P | LTR | DESCRIPTION | | DATE | DWN | APVD | |
| | A2 | REVISED PER ECO-14-016841 | | 07NOV2014 | NK | RH | |

- 1 MATERIAL SHALL COMPLY WITH EU DIRECTIVE 2002/95/EC OF 20JAN2003 (ROHS)
- 2 CAP FOR USE WITH GREEN SERIES PUSHBUTTON SWITCHES AS SHOWN ON DRAWINGS 4-1437567-3 AND 2-1437567-9



| | | |
|--------|------------------|-------------|
| WHITE | C22904 | 1825068-7 |
| BLUE | C22604 | 1825068-6 |
| GREEN | C22504 | 1825068-5 |
| YELLOW | C22404 | 1825068-4 |
| ORANGE | C22304 | 1825068-3 |
| RED | C22204 | 1825068-2 |
| BLACK | C22004 | 1825068-1 |
| COLOR | ALCO PART NUMBER | PART NUMBER |

| | | | | | | | | | | | |
|---|--|------------------|----------|---------|--|-----------------|-----------|------------|---------------|-----|----|
| THIS DRAWING IS A CONTROLLED DOCUMENT. | | DWN | M.BINNER | 30NOV04 | | TE Connectivity | | | | | |
| DIMENSIONS: INCHES | | CHK | M.ZITTO | 30NOV04 | | NAME | | | | | |
| | | APVD | M.ZITTO | 30NOV04 | | PRODUCT SPEC | | | | | |
| TOLERANCES UNLESS OTHERWISE SPECIFIED: | | APPLICATION SPEC | | NAME | | | | | | | |
| 0 PLC ± - 1 PLC ± - 2 PLC ± - 3 PLC ± .003 4 PLC ± - ANGLES ± 1° | | MATERIAL | | WEIGHT | | SIZE | CAGE CODE | DRAWING NO | RESTRICTED TO | | |
| POLYAMIDE | | FINISH | | - | | A2 | 00779 | C=1825068 | - | | |
| CUSTOMER DRAWING | | | | | | SCALE | 10:1 | SHEET | 1 of 1 | REV | A2 |

单击下面可查看定价，库存，交付和生命周期等信息

[>>TE Connectivity\(泰科\)](#)