

THIS DRAWING IS UNPUBLISHED. RELEASED FOR PUBLICATION  
 © COPYRIGHT - By - ALL RIGHTS RESERVED.

LOC	DIST	REVISIONS					
		P	LTR	DESCRIPTION	DATE	DWN	APVD
J	-	D		REVISED PER ECR-14-007279	04SEP2014	NK	TM

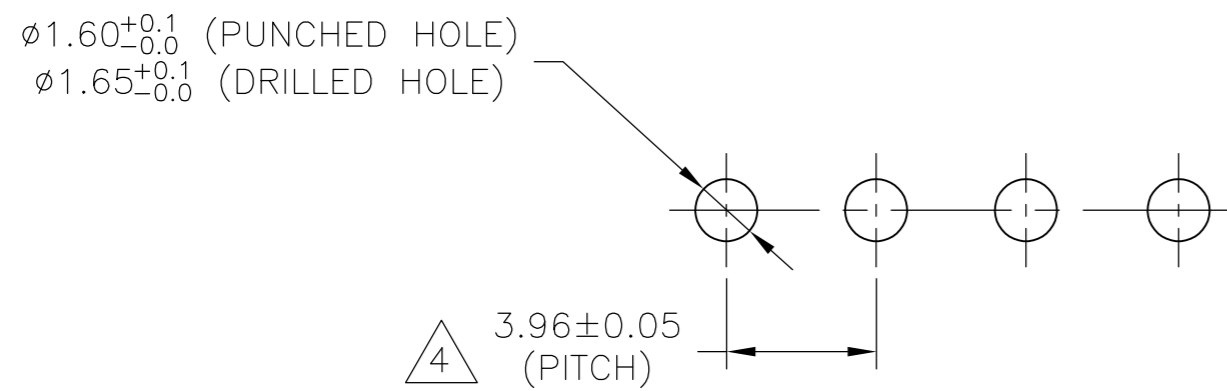
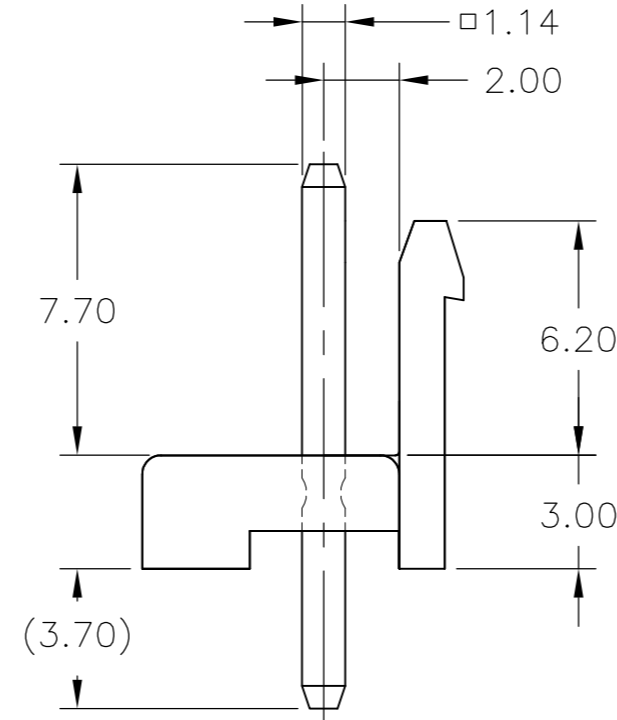
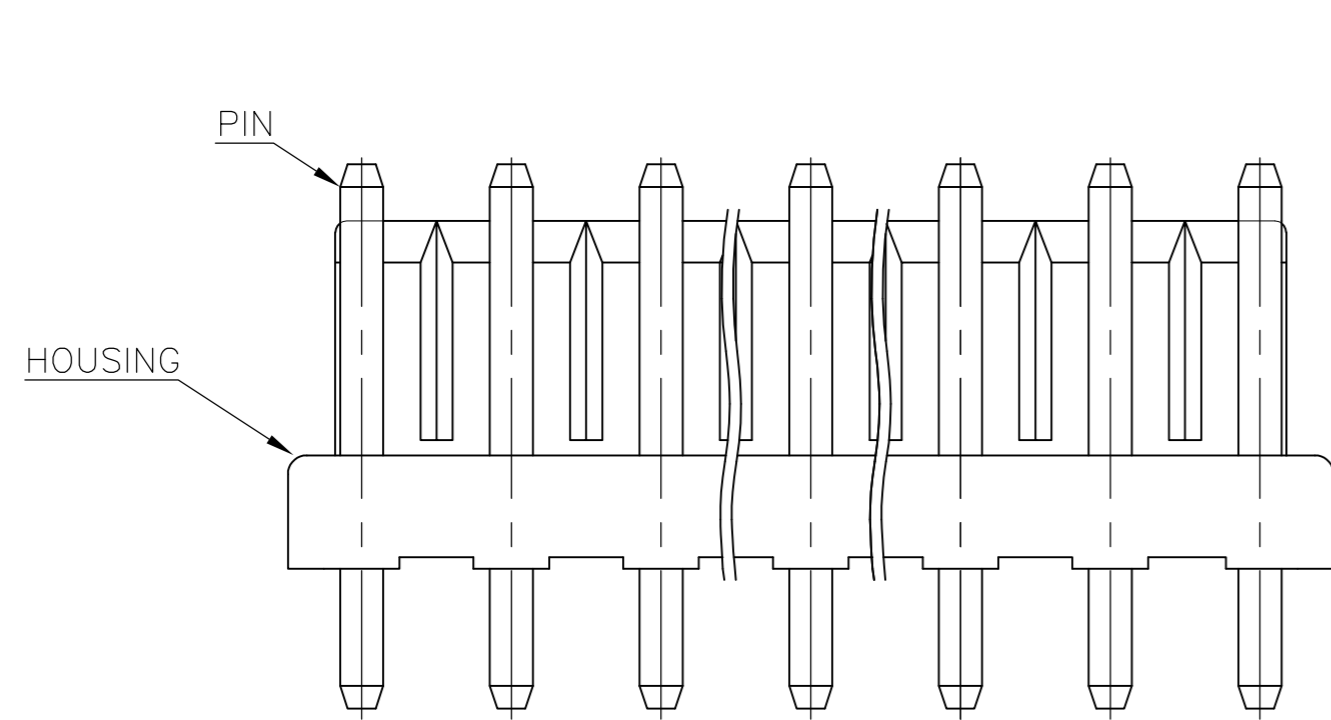
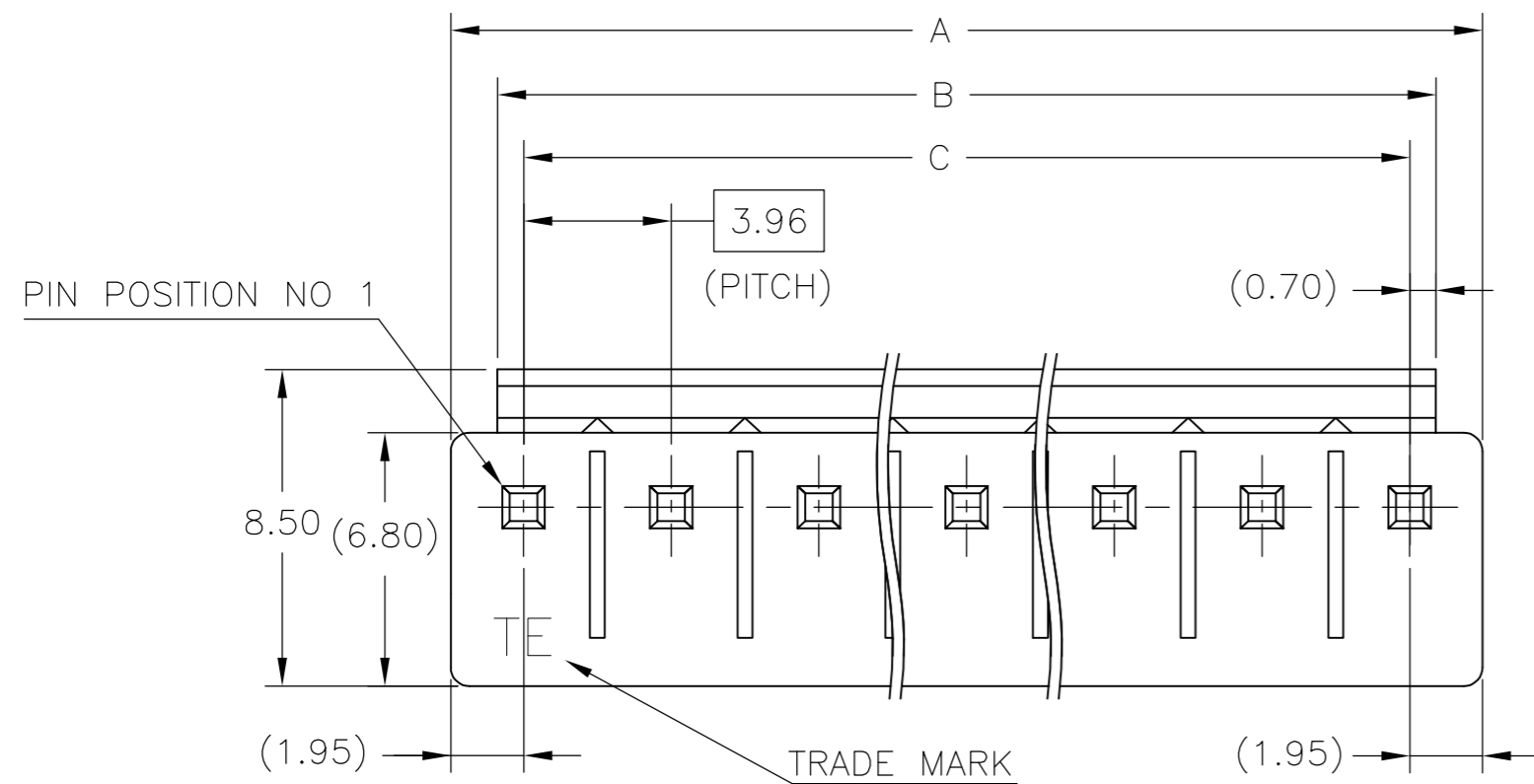


FIG.1

- 1 MATING CONN P/N: □-1123722-□
- 2 APPLICABLE P.C.B LAYOUT: SEE FIG. 1
- 3 APPLICABLE P.C.B THICKNESS: 1.60
- 4 SKETCHES SHOW NO PINS MISSING.
- 5 COMPLY WITH GLOW WIRE REQUIREMENTS FOR PARTS OF NON-METALIC MATERIAL SUPPORTING A CURRENT CARRYING CONNECTION DETAILED IN IEC 60335-1 SECTION 30 (GWT [GLOW WIRE TEST]) 750° SPEC.
- 6 PIN: POST TIN OVER BRASS
- 7 HOUSING: PBT, 30% GLASS, UL94-V0.
- 8 ○ : WITH PIN, X : WITHOUT PIN.
- 9 HOUSING: NYLON, 15% GLASS, UL94-V2

YES	9	X	O	X	O	/	/	/	/	/	/	/	/	11.88	13.28	15.78	NATURAL	4	8-1473057-2
		O	X	O	X	/	/	/	/	/	/	/	/	7.92	9.32	11.82	NATURAL		7-1473057-2
NO	7	X	O	X	O	/	/	/	/	/	/	/	/	7.92	13.28	15.78	NATURAL	4	2-1473057-2
		O	X	O	X	/	/	/	/	/	/	/	/				NATURAL		1-1473057-2
GWT	5	PIN POSITION											DIMENSION			COLOR	POSN	ASS'Y P/N	

THIS DRAWING IS A CONTROLLED DOCUMENT.

DIMENSIONS: mm	TOLERANCES UNLESS OTHERWISE SPECIFIED:	DWN Y.YAMADA 07SEP2004	 TE Connectivity ECONOMY POWER (EP) CONN HEADER ASS'Y 7.92mm PITCH 2POS SPECIAL
		CHK N.YAMASAKI 07SEP2004	
		APVD N.YAMASAKI 07SEP2004	
		PRODUCT SPEC 108-5609	
MATERIAL SEE TABLE	FINISH	APPLICATION SPEC	NAME
			SIZE CAGE CODE DRAWING NO RESTRICTED TO
		WEIGHT	A2 00779 C=1473057
		CUSTOMER DRAWING	SCALE 5:1 SHEET 1 OF 1 REV D

单击下面可查看定价，库存，交付和生命周期等信息

[>>TE Connectivity\(泰科\)](#)