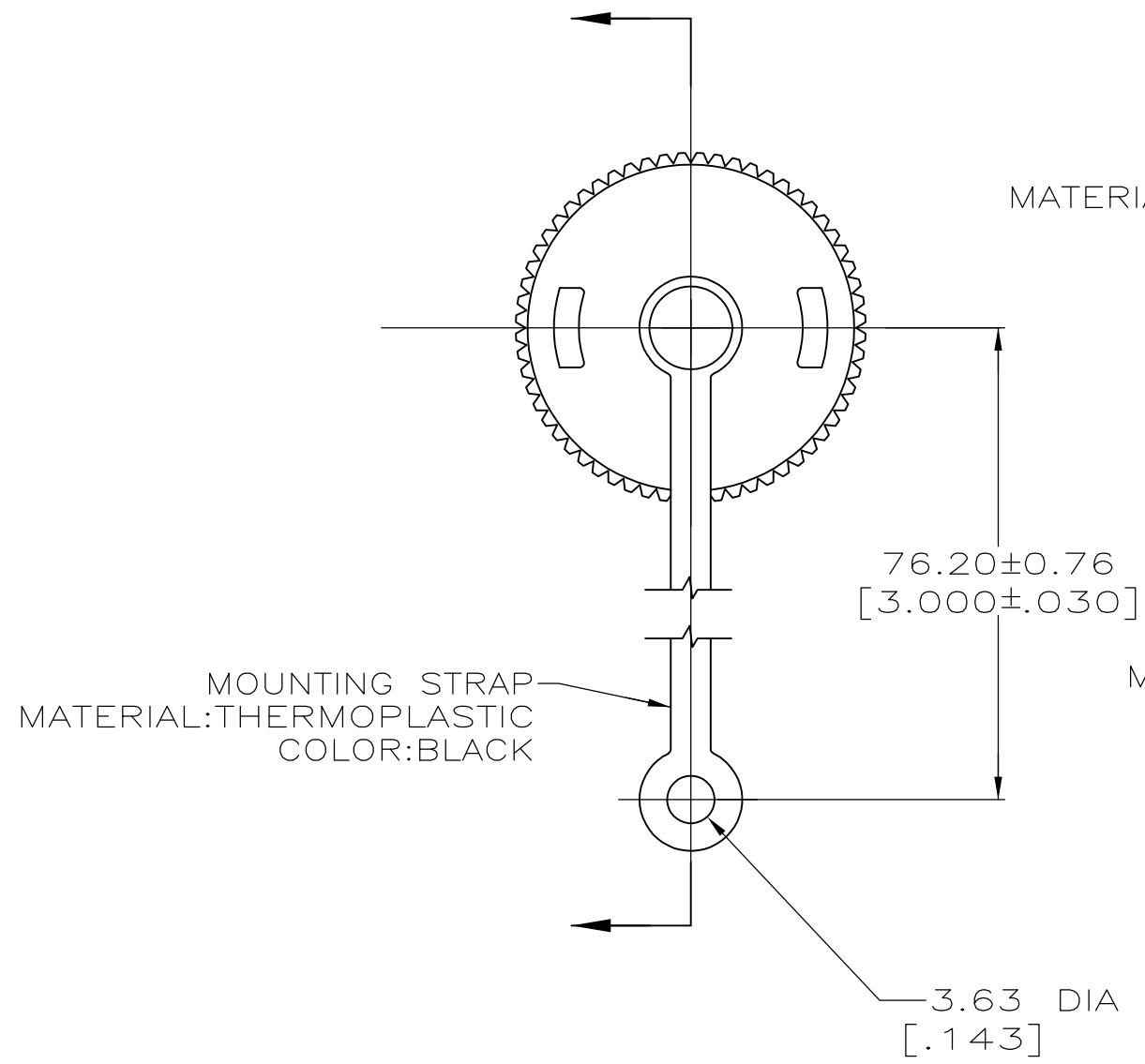


LOC	DIST	REVISIONS					
BD	35	P	LTR	DESCRIPTION	DATE	DWN	APVD
			A2	REVISED PER ECO-10-012277	14JUN10	HMR	MG

- △1 FINISH: ZINC PLATE WITH CLEAR CHROMATE
- △2 FINISH: ZINC PLATE WITH NON-HEXAVALENT CHROMATE

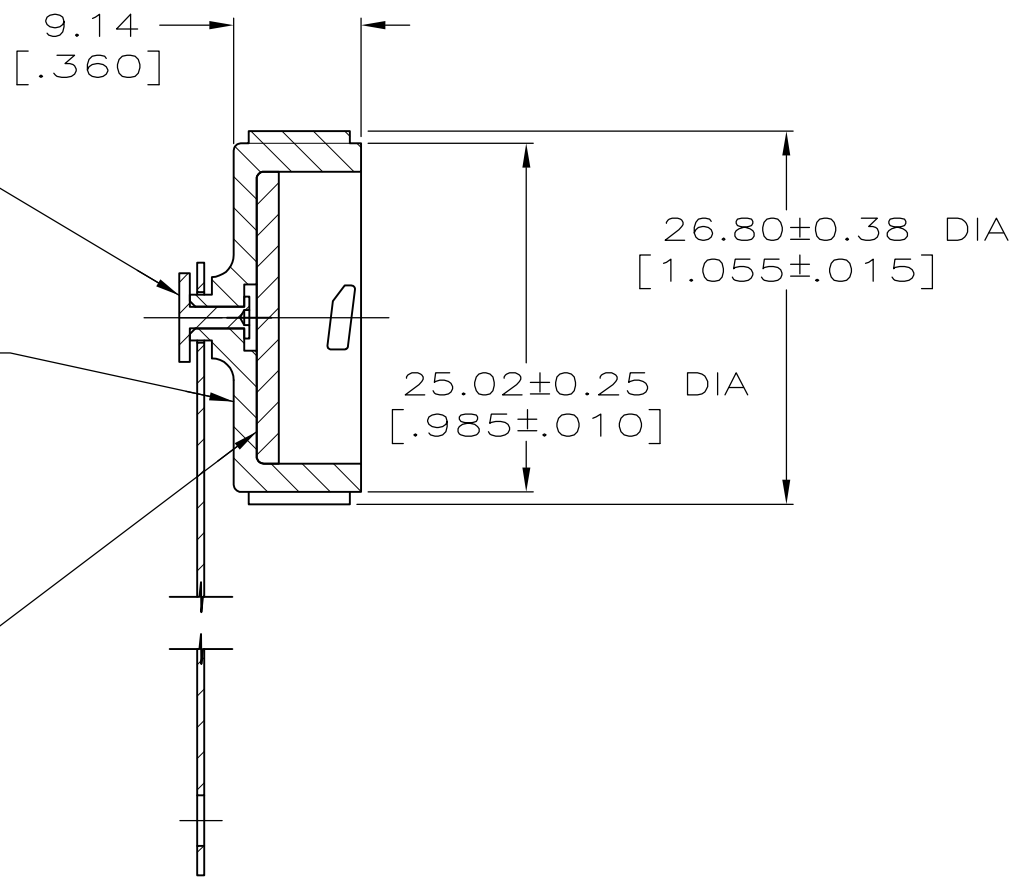


MATERIAL:CARBON  
△1△2

RIVET  
STEEL

SEALING CAP  
THERMOPLASTIC  
COLOR:BLACK

SEALING GASKET  
MATERIAL:NEOPRENE  
RUBBER



SUPERCEDED BY 211870-2	△2	211870-2
	△1	211870-1
	FINISH	PART NUMBER

THIS DRAWING IS A CONTROLLED DOCUMENT.		DWN D.BROCKWAY 6-9-93	Tyco Electronics Corporation Harrisburg, PA 17105-3608	
DIMENSIONS: mm [INCHES]		CHK R.STONE 7-1-93		
TOLERANCES UNLESS OTHERWISE SPECIFIED:		APVD AL FRANTUM 7-1-93	NAME SEALING CAP ASSY, SIZE 13, CPC	
0 PLC ± - 1 PLC ± - 2 PLC ± 0.13[.005] 3 PLC ± - 4 PLC ± - ANGLES ± -		PRODUCT SPEC -	RESTRICTED TO -	
MATERIAL SEE CALLOUTS		FINISH SEE CALLOUTS	APPLICATION SPEC -	SIZE A3
		WEIGHT -	CAGE CODE 00779	DRAWING NO C-211870
CUSTOMER DRAWING			SCALE 2:1	SHEET 1 of 1
			REV A2	

单击下面可查看定价，库存，交付和生命周期等信息

[>>TE Connectivity\(泰科\)](#)