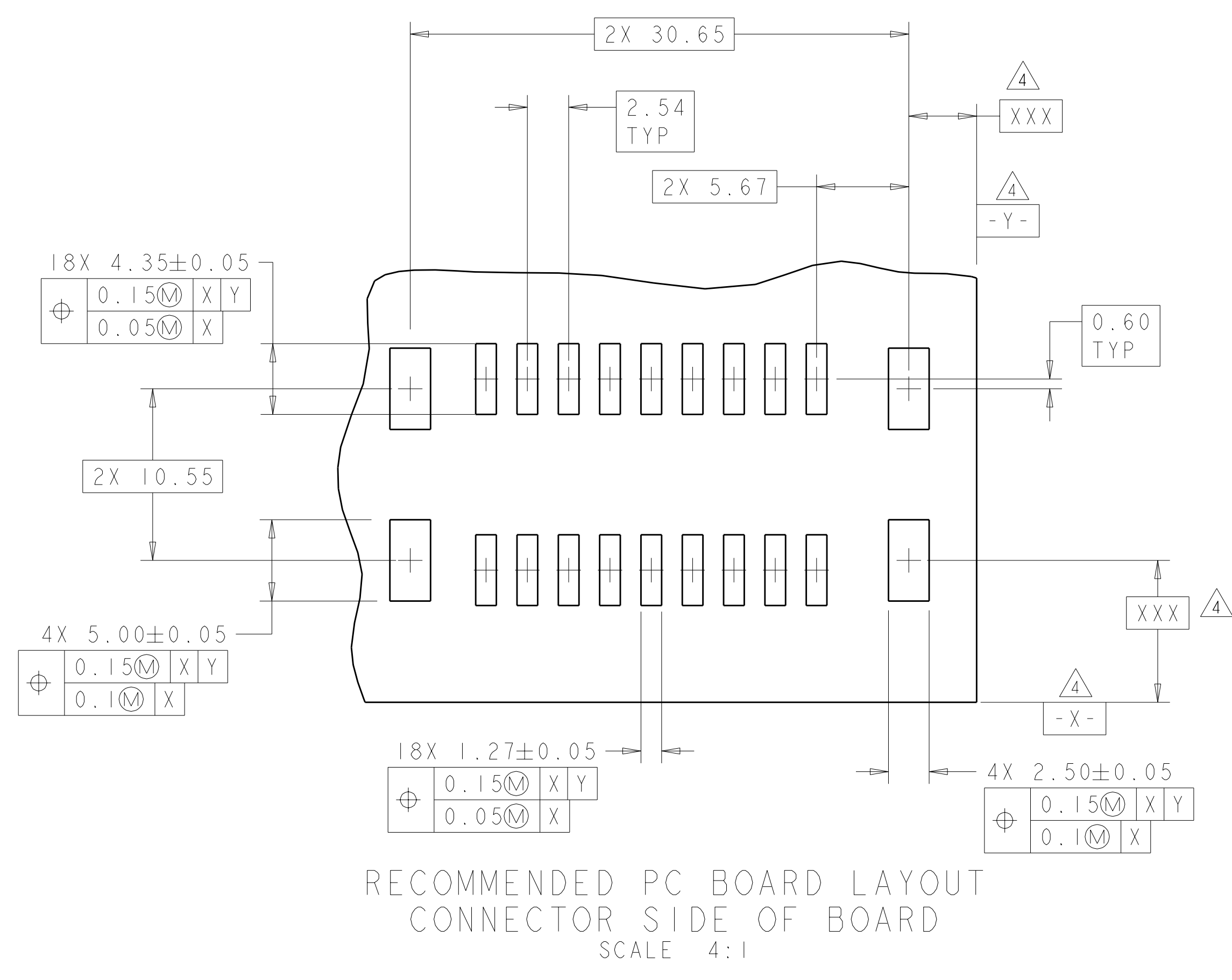
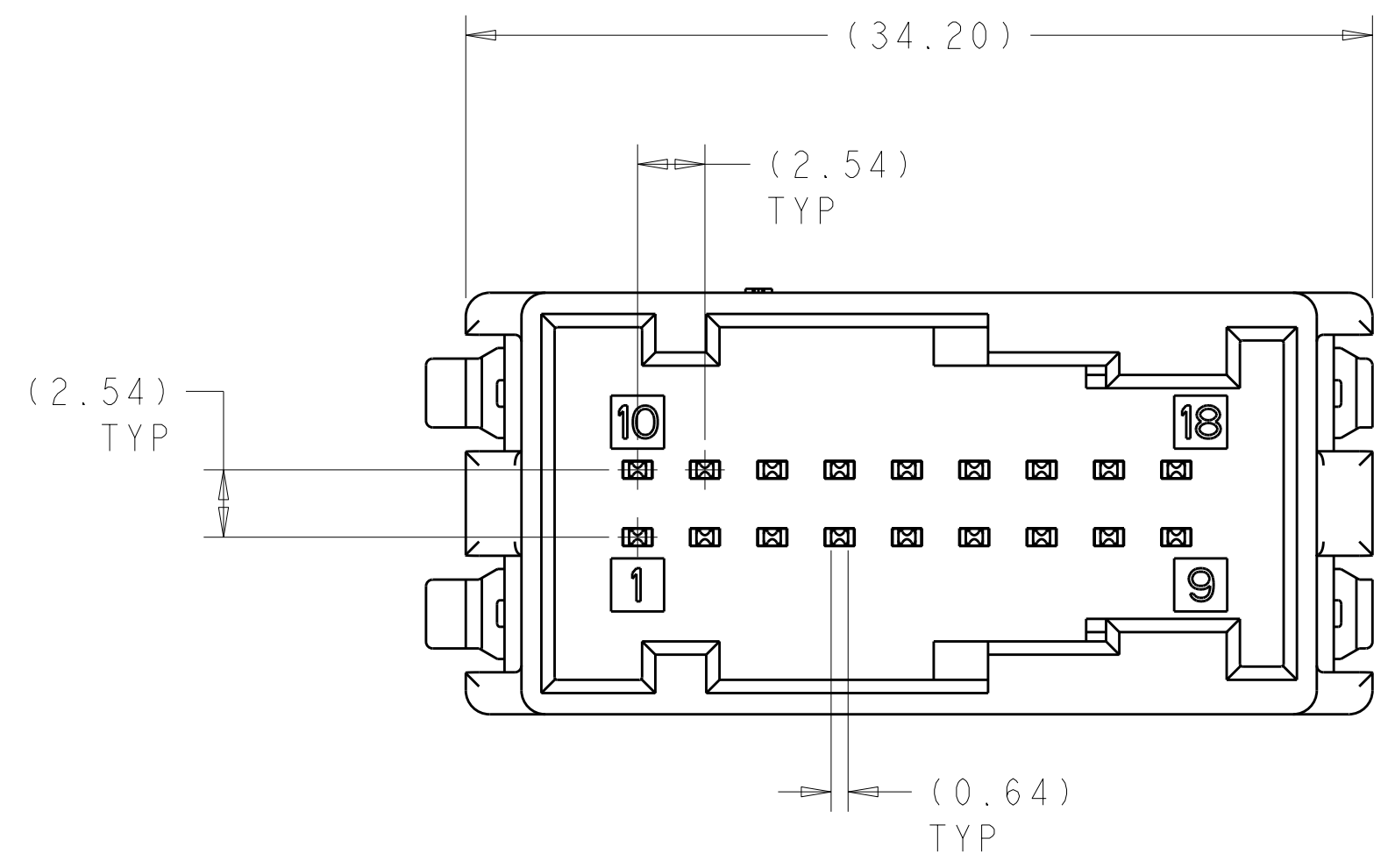
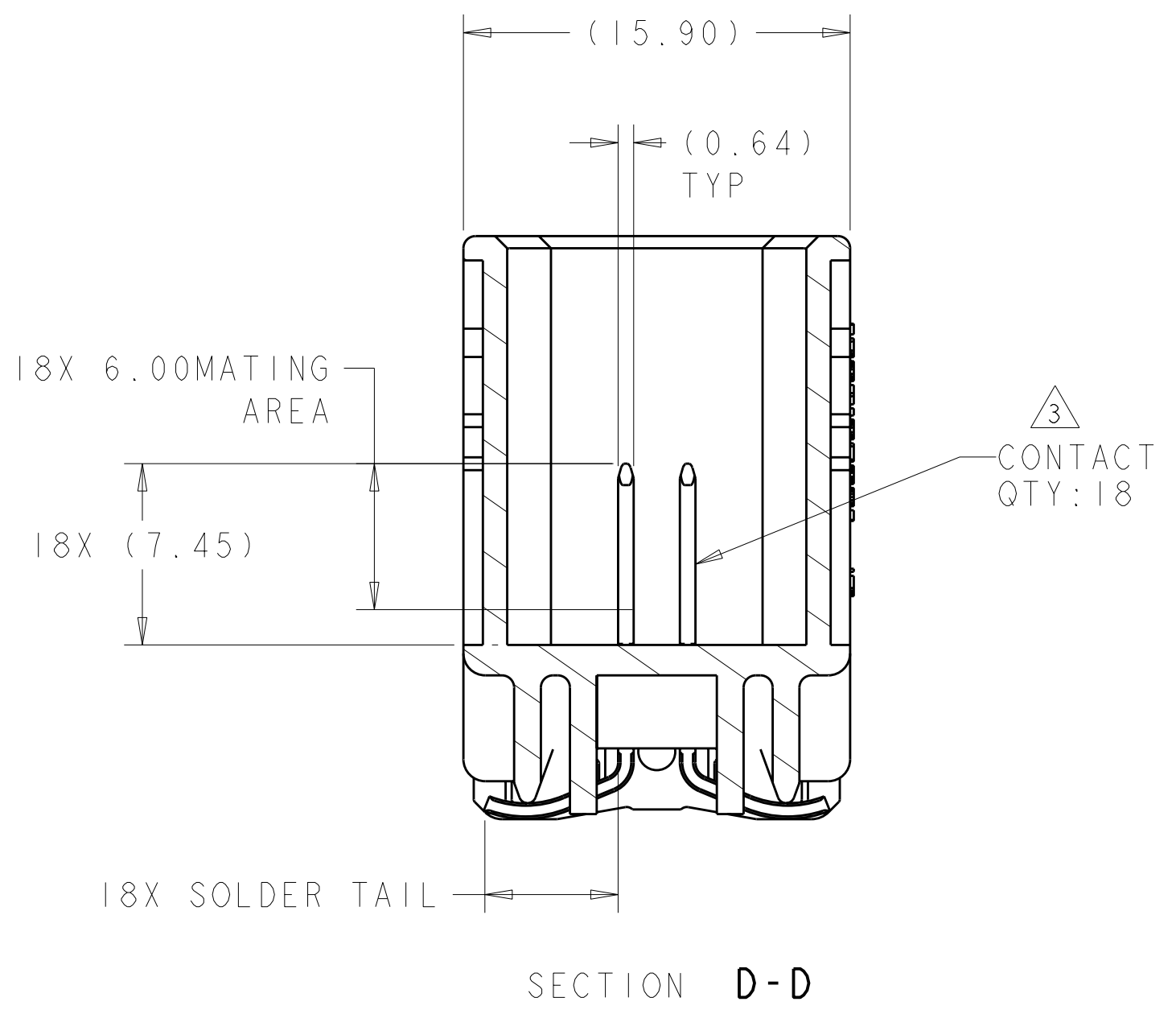
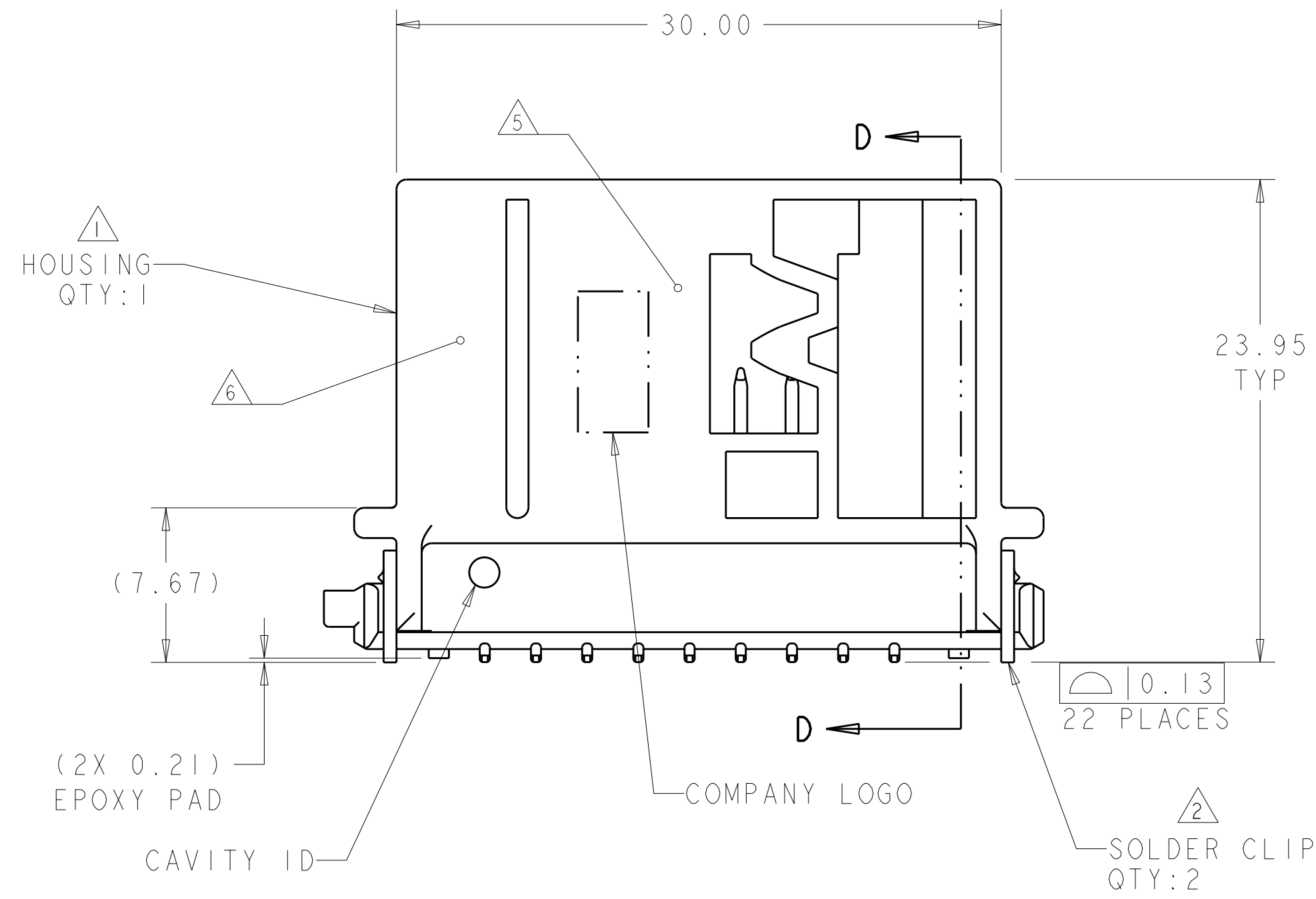


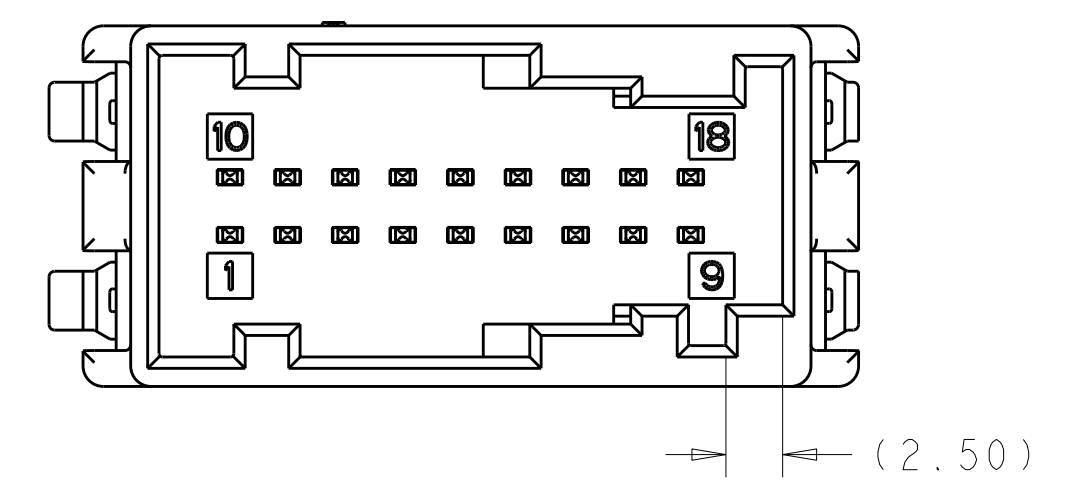
LOC	DIST	REV	DATE	BY	APPD
IN	00	A	19OCT2005	HM	DF
		B	30JAN2007	AH	MT
		C	10OCT2007	AH	MT
		C1	31MAY2010	VSS	CS



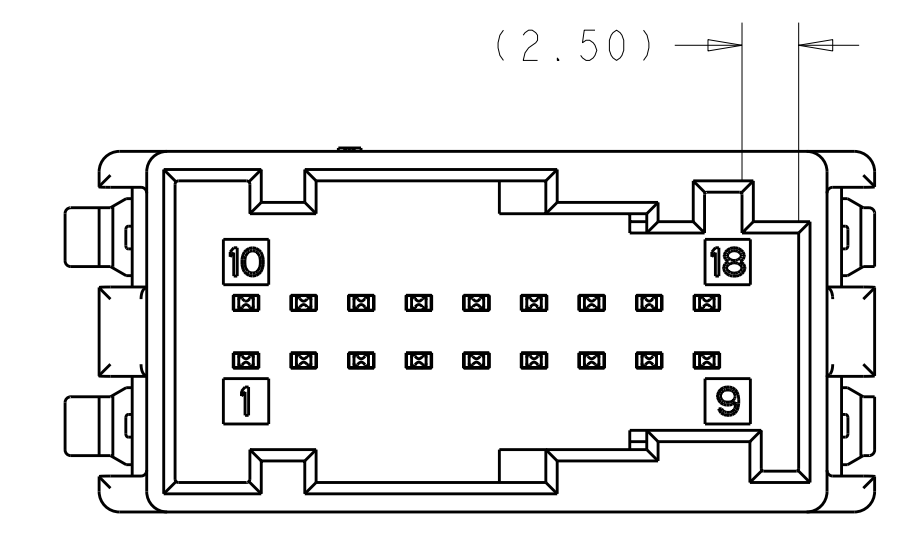
RECOMMENDED PC BOARD LAYOUT
 CONNECTOR SIDE OF BOARD
 SCALE 4:1



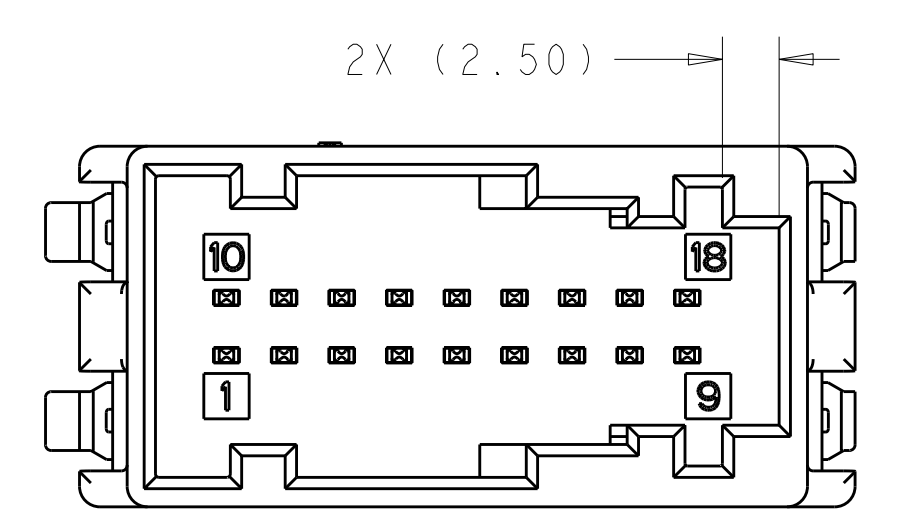
SECTION D-D



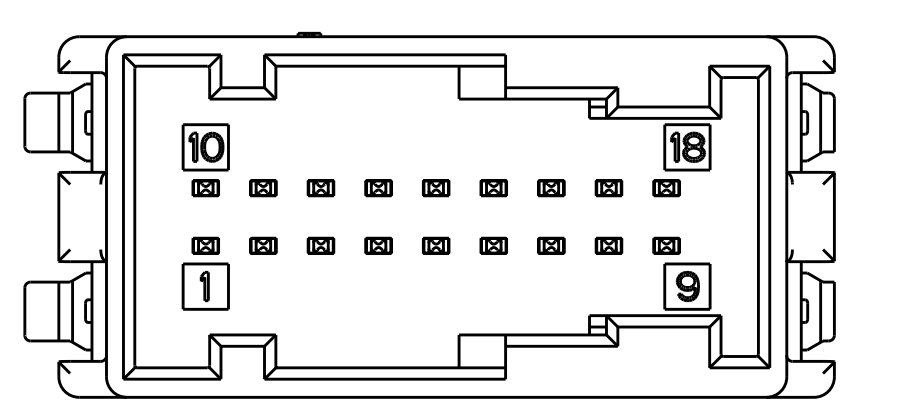
KEYING CODE "CE"
 SCALE 3:1



KEYING CODE "BF"
 SCALE 3:1



KEYING CODE "BE"
 SCALE 3:1



KEYING CODE "CF"
 SCALE 3:1

- ① HOUSING: PCT, COLOR - SEE TABLE
 CONTACTS: BRASS
 SOLDER CLIP: BRASS
- ② SOLDER CLIP: 3.8µm MIN TIN OVER 1.27µm MIN NICKEL
- ③ CONTACT: 0.8µm MIN TIN IN MATING AREA AND 2.5µm MIN TIN IS SOLDER TAIL ALL OVER 1.00µm NICKEL
- ④ DATUMS AND BASIC DIMENSIONS ESTABLISHED BY THE CUSTOMER
- ⑤ ASSEMBLY DATE CODE SIDE OR END.
- ⑥ PRODUCT PART NUMBER SIDE OR END.
- ⑦ PRELIMINARY PART NUMBER, NOT RELEASED FOR PRODUCTION.

NON RETURNABLE	KEYING CODE "BE"	NATURAL	1-1438543-2
NON RETURNABLE	KEYING CODE "CF"	BLACK	1-1438543-1
RETURNABLE	KEYING CODE "CE"	GREEN	1438543-4
RETURNABLE	KEYING CODE "BF"	PURPLE	1438543-3
RETURNABLE	KEYING CODE "BE"	NATURAL	1438543-2
RETURNABLE	KEYING CODE "CF"	BLACK	1438543-1
PACKAGE TUBE	KEYING CODE	COLOR	PART NUMBER

DIMENSIONS: mm TOLERANCES UNLESS OTHERWISE SPECIFIED: 9 PLC ± 1 PLC ±0.25 5 PLC ± 4 PLC ± ANGLES ± MATERIAL: SEE CALLOUTS FINISH: SEE CALLOUTS	DWN: H. MOLL 04DEC2003 CHK: D. FRY 17MAY2004 APVD: D. FRY 26APR2004 PRODUCT SPEC: - APPLICATION SPEC: - WEIGHT: - CUSTOMER DRAWING	Tyco Electronics Harrisburg, PA 17105-3608 NAME: HEADER ASSY, 18 WAY, VERTICAL, WITH SOLDER CLIPS, SURFACE MOUNT, LAC SIZE: A11 CAGE CODE: 00779 DRAWING NO: C=1438543 SHEET 1 OF 1 REV: C1
--	--	--

单击下面可查看定价，库存，交付和生命周期等信息

[>>TE Connectivity\(泰科\)](#)