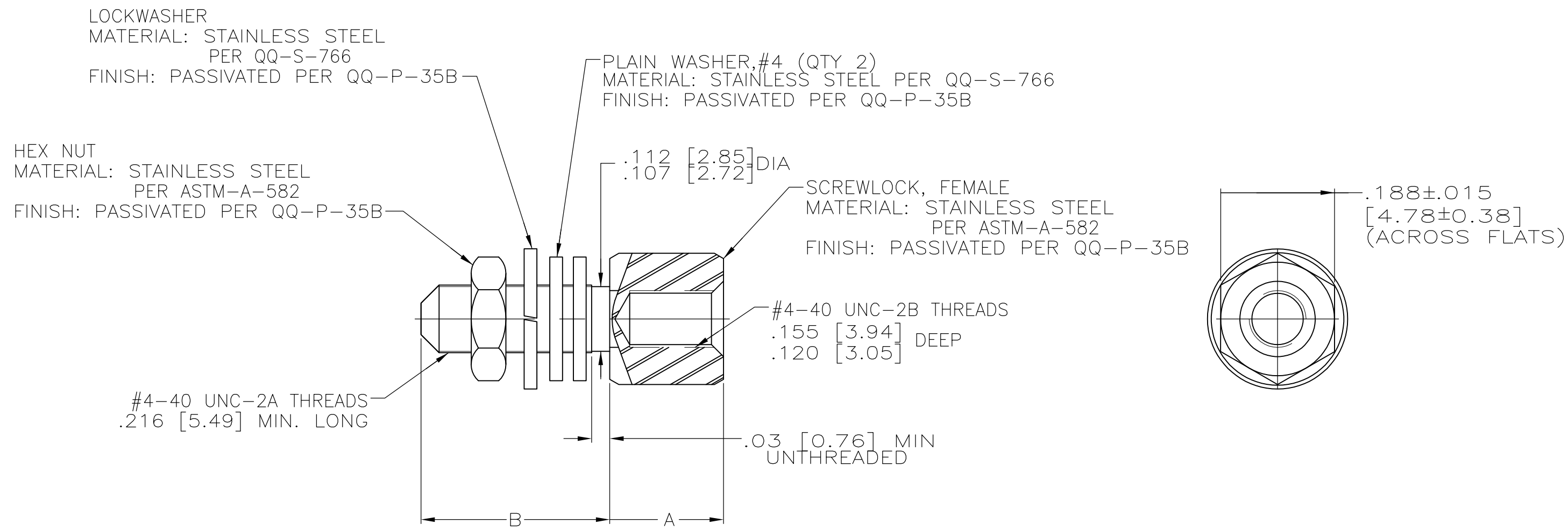


THIS DRAWING IS UNPUBLISHED. RELEASED FOR PUBLICATION  
 © COPYRIGHT - By - ALL RIGHTS RESERVED.

LOC	DIST	REVISIONS			
P	LTR	DESCRIPTION	DATE	DWN	APVD
DF	DO	F1	REVISED PER ECO-11-005030	23MAR11	RK HMR



1. PACKAGED UNASSEMBLED.
2. EACH KIT HAS TWO COMPLETE ASSEMBLIES AS SHOWN ABOVE.
3. WHEN A CLINCH TAB TYPE CONNECTOR IS FRONT MOUNTED, ONE FLAT WASHER SHALL BE USED AS A SPACER BETWEEN THE MOUNTING SURFACE AND THE CONNECTOR.

.560 [14.22]	.223 [5.66]	-	212447-2
.312 [7.92]	.188 [4.78]	M24308/26-1P	212447-1
B .015 [0.38]	A .015 [0.38]	MILITARY PART NO	PART NO

THIS DRAWING IS A CONTROLLED DOCUMENT.		DWN J.LINDERMAN 1-6-93	<b>STE</b> TE Connectivity	
		CHK F.KINSEY 1-8-93		
DIMENSIONS: INCHES[MM]		APVD F.KINSEY 1-8-93	NAME KIT, SCREWLOCK ASSEMBLY, FEMALE STAINLESS STEEL, AMPLIMITE	
TOLERANCES UNLESS OTHERWISE SPECIFIED:		PRODUCT SPEC	SIZE A3	
0 PLC ± -		APPLICATION SPEC	CAGE CODE 00779	DRAWING NO C-212447
1 PLC ± -		WEIGHT -	RESTRICTED TO -	
2 PLC ± -		SCALE 6:1		
3 PLC ± -		SHEET 1 OF 1		
4 PLC ± -		REV F1		
ANGLES ± -		CUSTOMER DRAWING		
FINISH SEE CALLOUTS				

单击下面可查看定价，库存，交付和生命周期等信息

[>>TE Connectivity\(泰科\)](#)