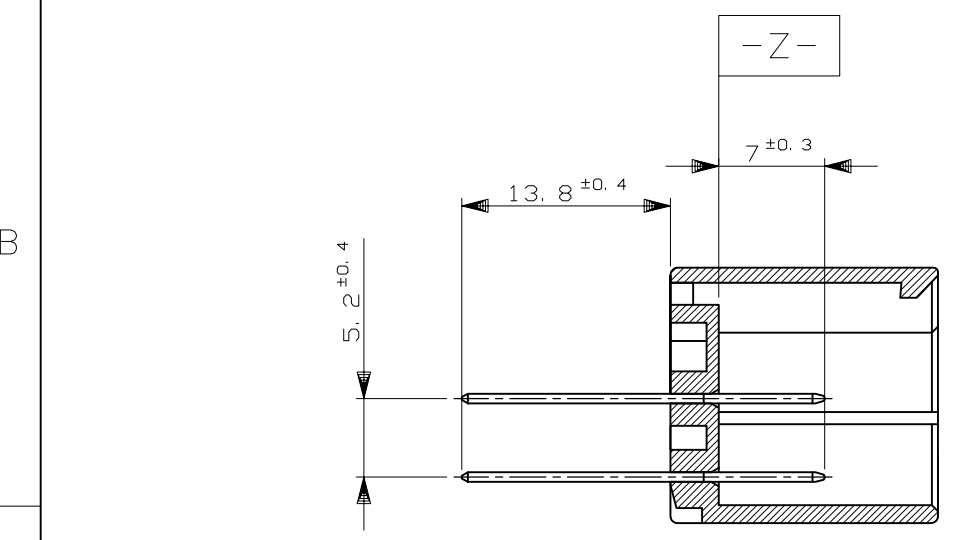
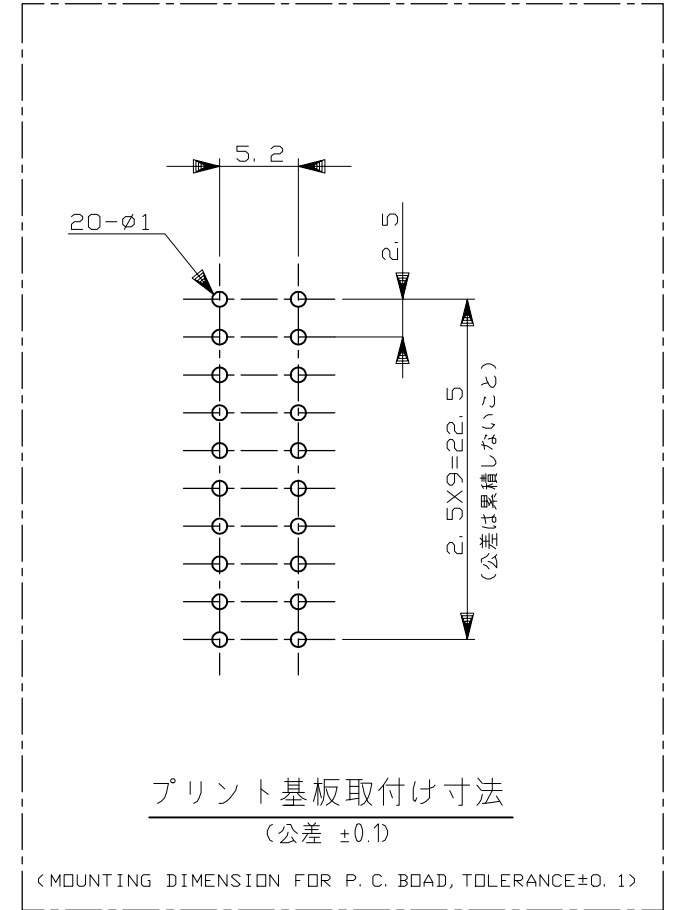
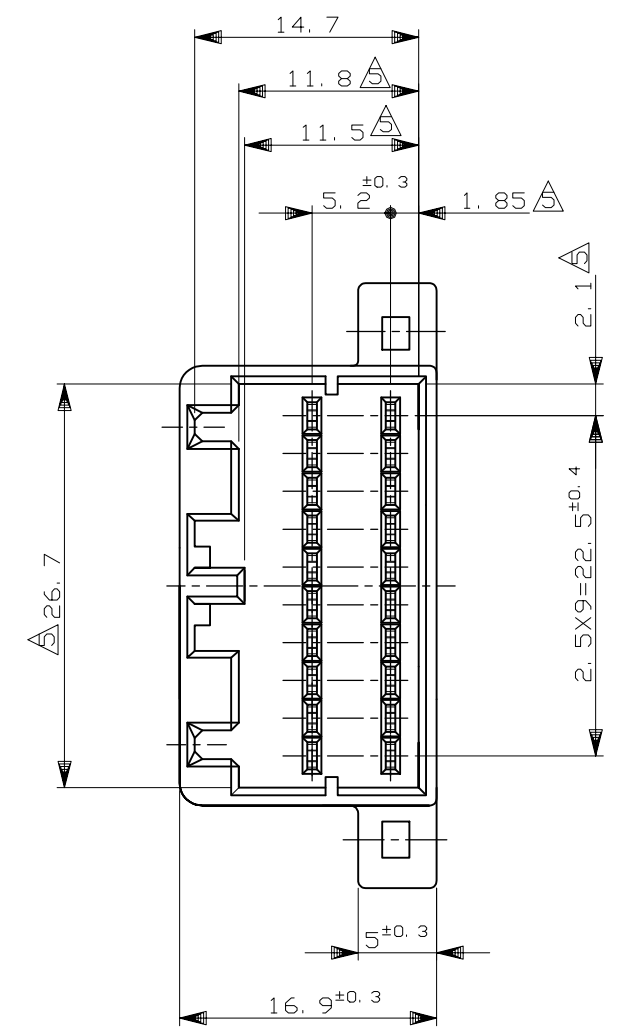
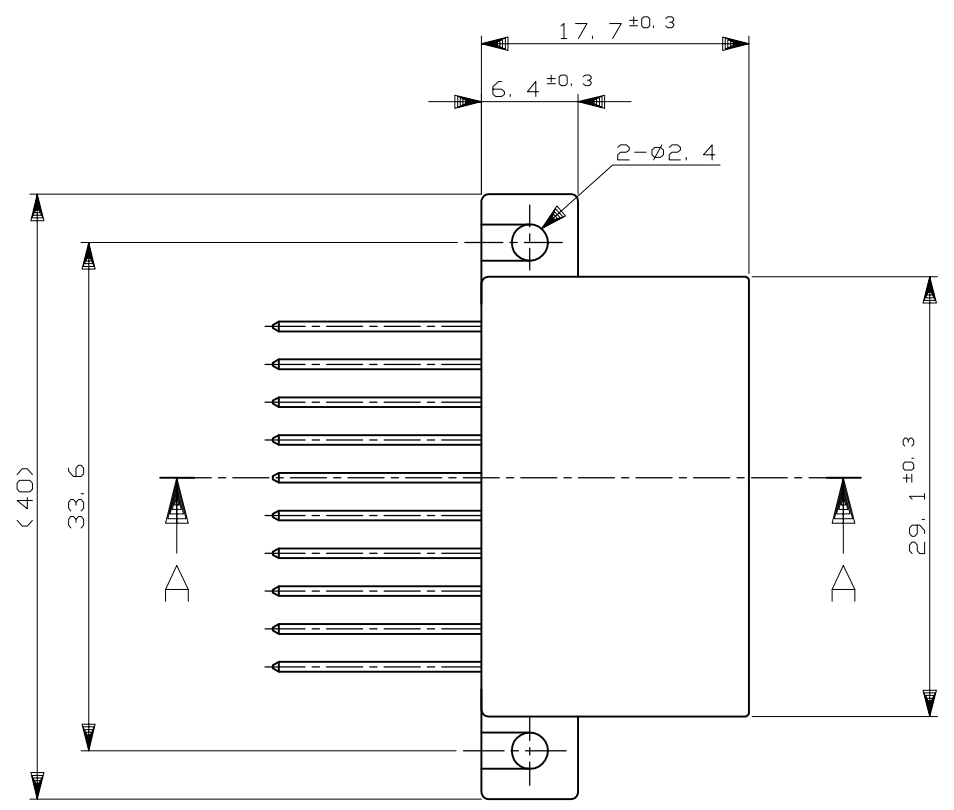


THIS DRAWING IS UNPUBLISHED. RELEASED FOR PUBLICATION
 © COPYRIGHT - By - ALL RIGHTS RESERVED.

P	LTR	DESCRIPTION	DATE	DWN	APVD
	B2	REVISED	ECR-18-015766	07JAN2019	TS YN



1. APPLICABLE P.C.B BOARD THICKNESS ; 1.6mm
 2. RECOMMENDED MOUNTING SCREW 3mm DIA 8mm LENGTH TAPPING SCREW SPECIFIED IN JIS B1115, B1112 (TIGHTENING TORQUE ; 0.392N・m MAX)
 3. THE MATING PLUG HSG. PART NUMBER ; 175967
 4. APPLICABLE PRODUCT SPEC NO. ; 108-5281
- Δ TO BE MEASURED WITHIN 2mm FROM -Z-

1. 適用プリント基板厚 ; 1.6mm
 2. 推奨取付ネジ ; JIS B1115, B1122 タッピングネジ、ナベ2種呼び径3, 長さ8mm (締付トルク ; 0.392N・m 以下)
 3. 嵌合相手ハウジング ; 175967
 4. 適用製品規格番号 ; 108-5281
- Δ -Z- 面より2mmの範囲で測定

OBSOLETE	錫メッキ済 (PRE-TINNED)	青 (BLUE)	1-316875-5
OBSOLETE	錫メッキ済 (PRE-TINNED)	黒 (BLACK)	1-316875-2
	CONTACT FINISH (CONTACT)	HSG色 (COLOR)	PART NUMBER

断面 A-A
(SECT. A-A)

OBSOLETE

GENERAL TOLERANCE

0 < x ≤ 10	: ±0.2
10 < x ≤ 30	: ±0.25
30 < x ≤ 100	: ±0.3
ANGLE	: ±3°

THIS DRAWING IS A CONTROLLED DOCUMENT.

DIMENSIONS: mm	TOLERANCES UNLESS OTHERWISE SPECIFIED:
	0 PLC ± -
	1 PLC ± -
	2 PLC ± -
	3 PLC ± -
	4 PLC ± -
	ANGLES ± -
MATERIAL	FINISH
ハウジング: PBT	-
コンタクト: 黄銅	-

DWN	T.SHINOHARA	1/11'96	TE Connectivity
CHK	M.TSUKAKOSHI	1/11'96	
APVD	A.TOMITA	1/11'96	
PRODUCT SPEC	SEE NOTE 4		
APPLICATION SPEC	-		NAME
-			040 SERIES MULTI-LOCK I/O CONNECTOR MK-II 20POSITION CAP HOUSING ASSEMBLY
WEIGHT	6.5 g	SIZE	CAGE CODE
CUSTOMER DRAWING		A3	00779
-		DRAWING NO	C-316875
-		RESTRICTED TO	-
-		SCALE	2:1
-		SHEET	1 OF 1
-		REV	B2

单击下面可查看定价，库存，交付和生命周期等信息

[>>TE Connectivity\(泰科\)](#)