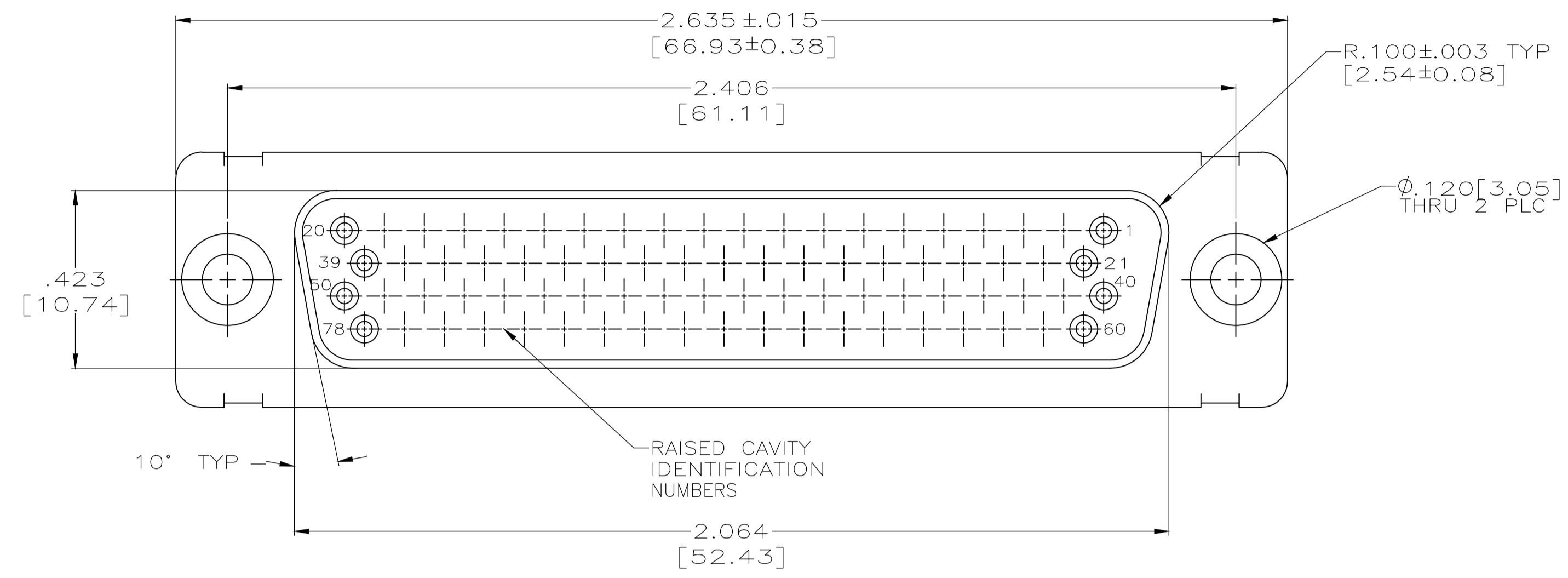
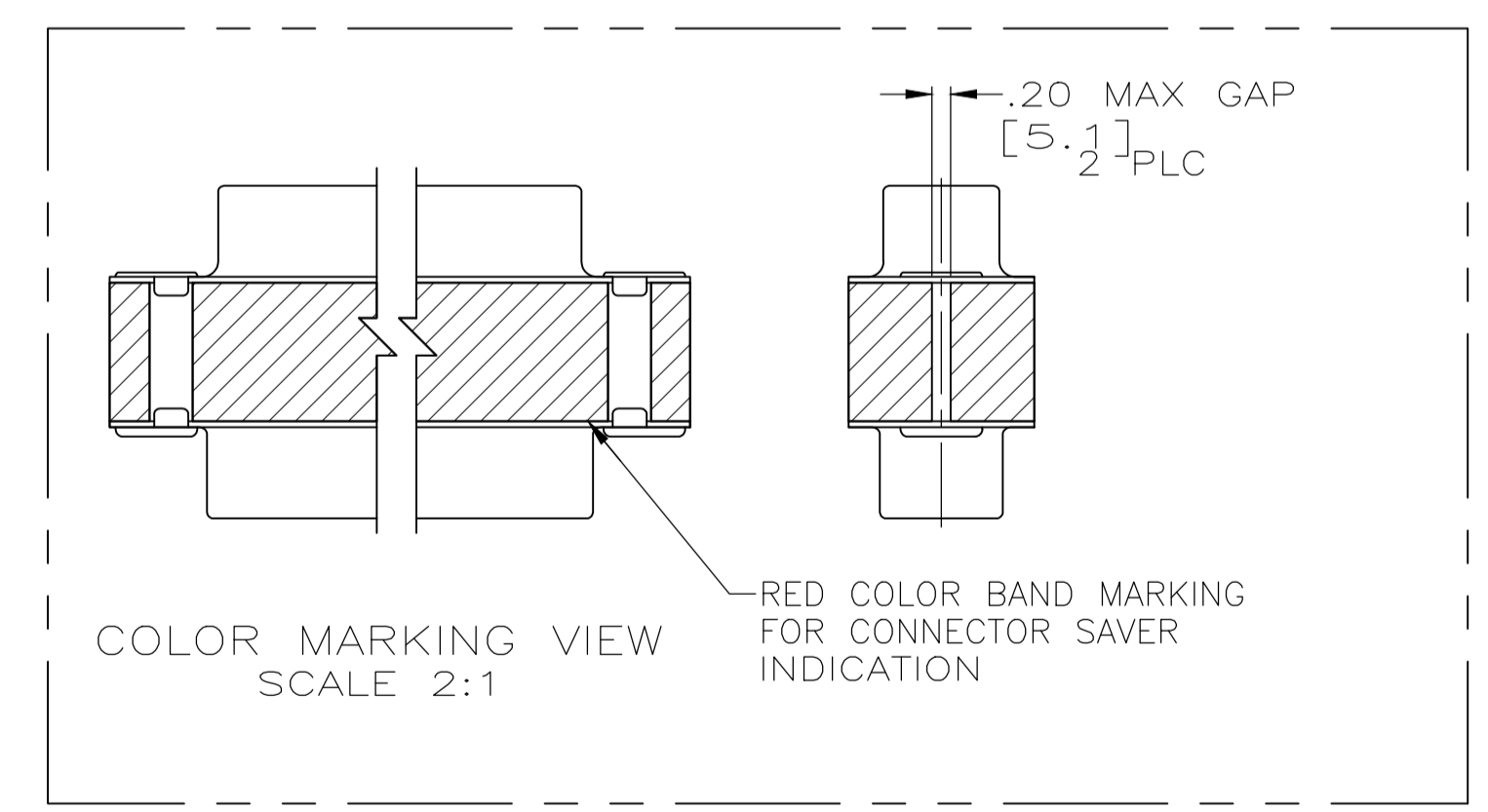
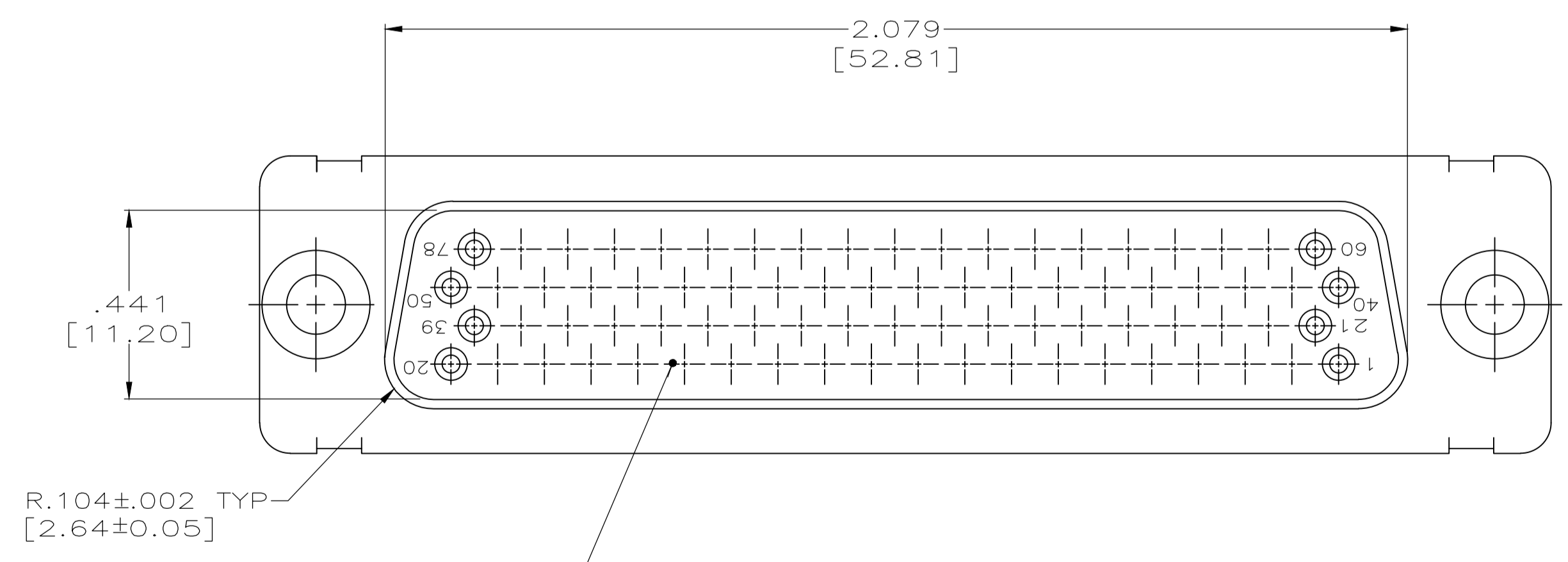
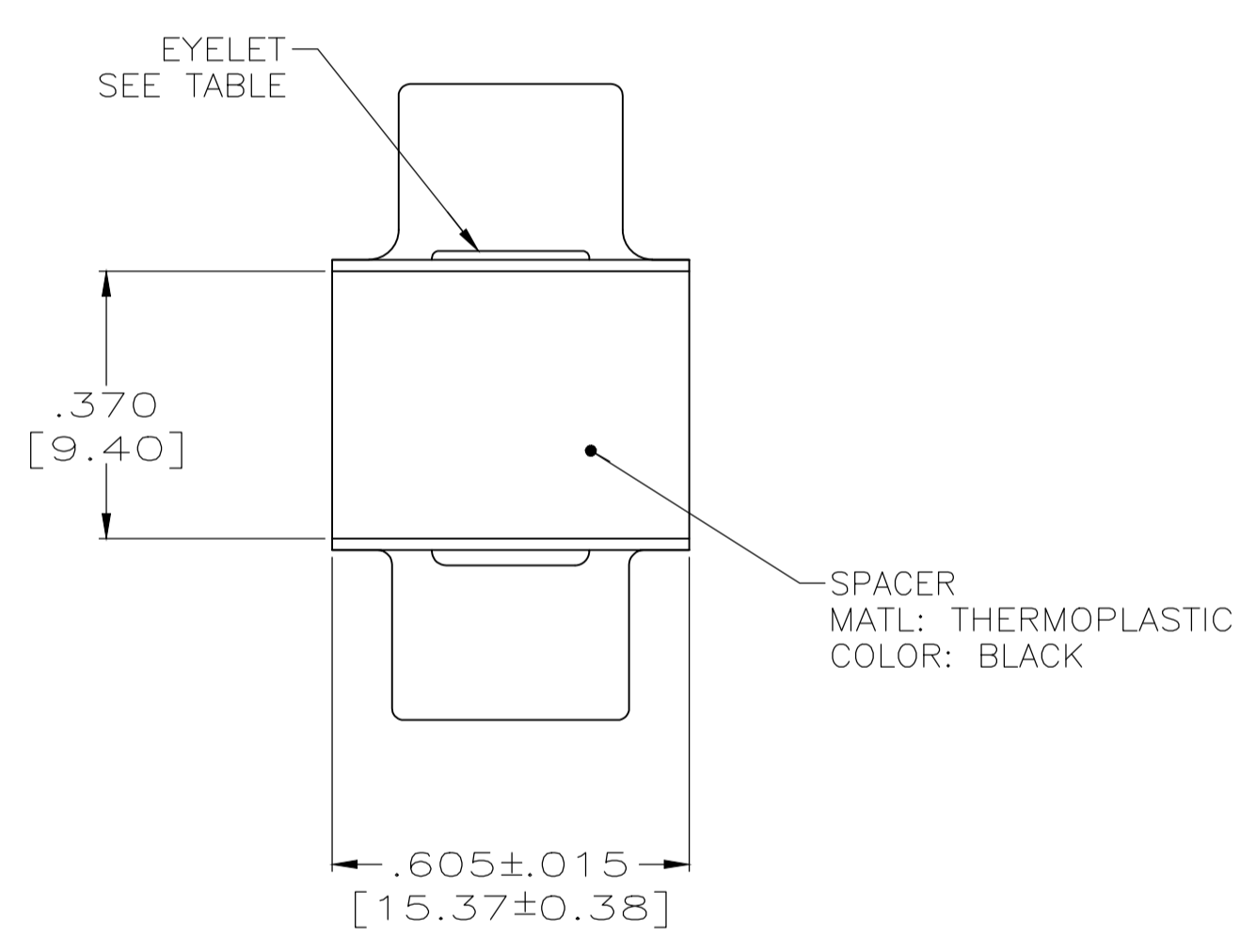
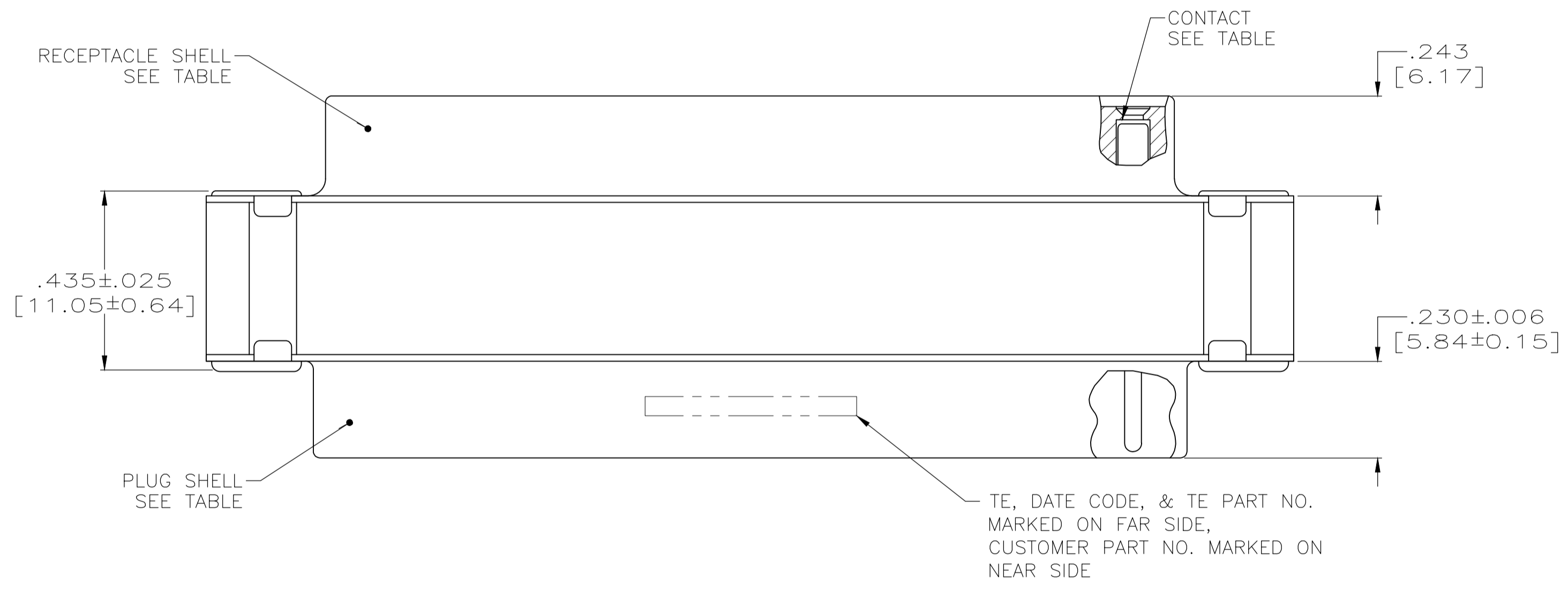


REVISIONS					
P	LTR	DESCRIPTION	DATE	DMN	APVD
G		REV PER ECO 19-019228	4-16-20	CT	DM



- 1. CONTACTS INCLUDED IN ASSEMBLY.
- CONTACT
 BODY MATL: BERYLLIUM COPPER PER ASTM-B-197.
 BODY FINISH: PLATED GOLD, .000050 MIN THK PER MIL-G-45204 OVER NICKEL, .000050 MIN THK PER QQ-N-290.
 HOOD MATL: STAINLESS STEEL PER ASTM-A-167.
 HOOD FINISH: PASSIVATED PER ASTM-A-380.
- MATL: BRASS PER ASTM-B-36.
- FINISH: PLATED GOLD, .000050 MIN THK PER MIL-G-45204 OVER COPPER, .000100 MIN THK PER MIL-C-14550.



INSERT ASSEMBLY
 MATL: POLYESTER PER MIL-M-24519
 TYPE GPT-30F
 COLOR: BLUE
 OR POLYPHENYLENE SULFIDE(PPS)
 PER MIL-M24519, TYPE GST-40F
 COLOR: BLACK

			4U884 SOCN R10002677-0010	1218312-2
			(1J02-010)	1218312-1
EYELET	SHELLS	CONTACT	CUSTOMER P/N	PART NO.

THIS DRAWING IS A CONTROLLED DOCUMENT.		DIN T. THOMPSON 20AUG98		TE Connectivity																			
DIMENSIONS: INCHES		TOLERANCES UNLESS OTHERWISE SPECIFIED:		APVD J. NORTON 20AUG98																			
<table border="1"> <tr><td>0 PLC</td><td>±</td><td>-</td></tr> <tr><td>1 PLC</td><td>±</td><td>-</td></tr> <tr><td>2 PLC</td><td>±</td><td>-</td></tr> <tr><td>3 PLC</td><td>±</td><td>.005(0.13)</td></tr> <tr><td>4 PLC</td><td>±</td><td>-</td></tr> <tr><td>ANGLES</td><td>±</td><td>-</td></tr> </table>		0 PLC	±	-	1 PLC	±	-	2 PLC	±	-	3 PLC	±	.005(0.13)	4 PLC	±	-	ANGLES	±	-	APPLICATION SPEC		NAME	
0 PLC	±	-																					
1 PLC	±	-																					
2 PLC	±	-																					
3 PLC	±	.005(0.13)																					
4 PLC	±	-																					
ANGLES	±	-																					
MATERIAL		WEIGHT 0.000000		SIZE CAGE CODE DRAWING NO																			
		FINISH		A1 00779 C=1218312																			
		CUSTOMER DRAWING		SCALE 4:1 SHEET 1 OF 1 REV G																			

单击下面可查看定价，库存，交付和生命周期等信息

[>>TE Connectivity\(泰科\)](#)