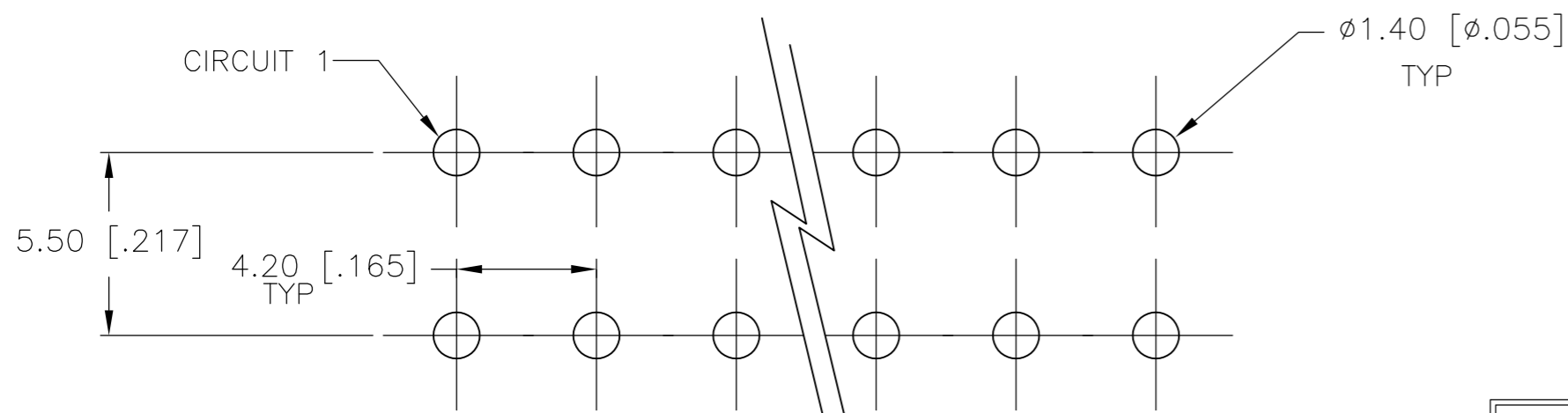
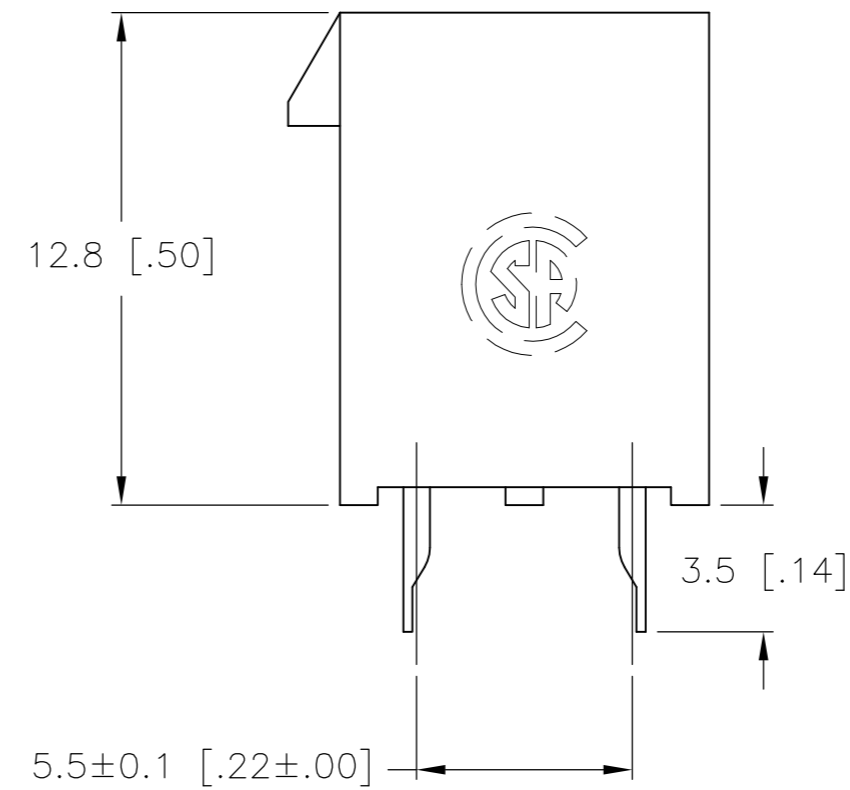
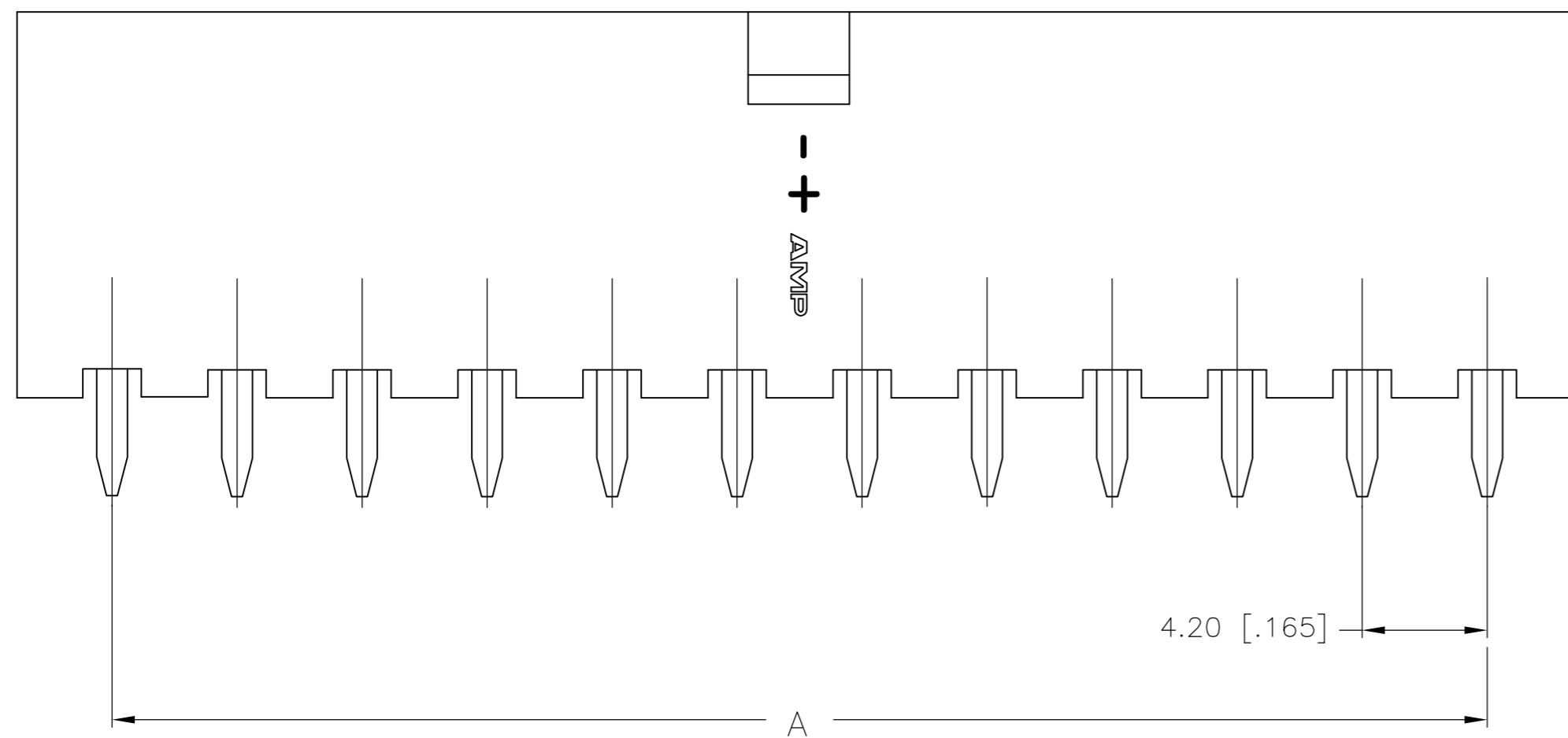
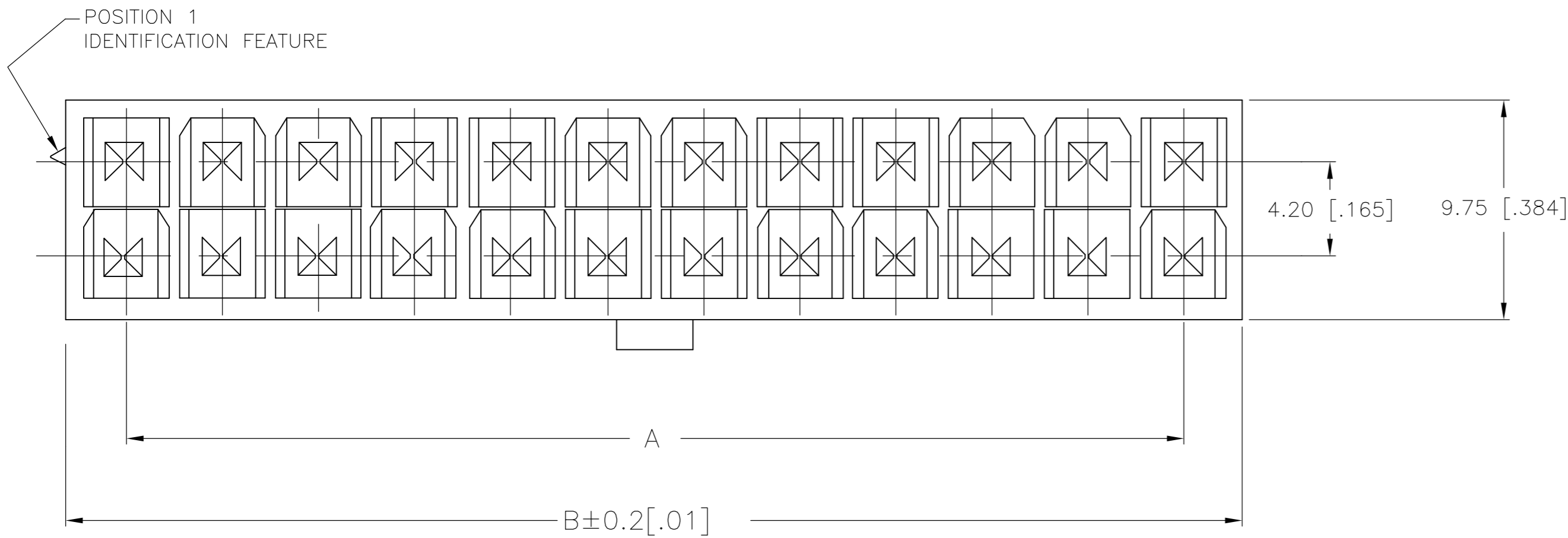


THIS DRAWING IS UNPUBLISHED. RELEASED FOR PUBLICATION
 © COPYRIGHT - By - ALL RIGHTS RESERVED.

| LOC | | DIST | | REVISIONS | | | |
|-----|-----|-------------|---------------------------|-----------|---------|------|----|
| P | LTR | DESCRIPTION | | DATE | DWN | APVD | |
| CM | 00 | D1 | REVISED PER ECO 12-010618 | | 06JUN12 | JR | TM |

1 MATERIAL: HOUSING: POLYAMIDE, UL94V-2, WHITE
 CONTACTS: BRASS, TIN-PLATED

- 2 FLAMMABILITY V2 FOR THICKNESS 0.38mm, 1.5mm, and 3.0mm PER IEC 60695-11-10.
- 3 GLOW-WIRE FLAMMABILITY (GWFI) 800°C FOR THICKNESS 0.38mm AND 0.75mm PER IEC 60695-2-12.
- 4 GLOW-WIRE FLAMMABILITY (GWFI) 960°C FOR THICKNESS 1.5mm AND 3.0mm PER IEC 60695-2-12.
- 5 GLOW-WIRE IGNITION (GWIT) 825°C FOR THICKNESS 0.38mm, 0.75mm, 1.5mm AND 3.0mm PER IEC 60695-2-13.



PCB LAYOUT: COMPONENT SIDE
 RECOMMENDED BOARD THICKNESS 1.60 [.063]

METRIC

| | | | |
|-----|---------------------|-------------|-------------|
| 24 | 46.2±0.2 [1.82±.01] | 51.6 [2.03] | 2-1586768-4 |
| 22 | 42.0±0.2 [1.65±.01] | 47.4 [1.87] | 2-1586768-2 |
| 20 | 37.8±0.2 [1.49±.01] | 43.2 [1.70] | 2-1586768-0 |
| 18 | 33.6±0.2 [1.32±.01] | 39.0 [1.54] | 1-1586768-8 |
| 16 | 29.4±0.2 [1.16±.01] | 34.8 [1.37] | 1-1586768-6 |
| 14 | 25.2±0.2 [.99±.01] | 30.6 [1.21] | 1-1586768-4 |
| 12 | 21.0±0.2 [.83±.01] | 26.4 [1.04] | 1-1586768-2 |
| 10 | 16.8±0.1 [.66±.00] | 22.2 [.87] | 1-1586768-0 |
| 8 | 12.6±0.1 [.50±.00] | 18.0 [.71] | 1586768-8 |
| 6 | 8.4±0.1 [.33±.00] | 13.8 [.54] | 1586768-6 |
| 4 | 4.2±0.1 [.17±.00] | 9.6 [.38] | 1586768-4 |
| 2 | | 5.4 [.21] | 1586768-2 |
| POS | A | B±0.2[.01] | PART NUMBER |

2-1586768-4 SHOWN

| | | | | |
|--|--|---------------------------------|--|-------------------------|
| THIS DRAWING IS A CONTROLLED DOCUMENT. | | DWN K. WHITAKER 08MAY2007 | TE Connectivity | |
| DIMENSIONS: mm [INCHES] | | CHK D. COLEY C. CASH | NAME | |
| TOLERANCES UNLESS OTHERWISE SPECIFIED: 0 PLC ± 1 PLC ± 2 PLC ± 0.5 [.02] 3 PLC ± 0.25 [.010] 4 PLC ± 0.150 [0059] | | APVD C. CASH 08MAY2007 | PRODUCT SPEC | |
| MATERIAL | | APPLICATION SPEC | VERTICAL HEADER WITHOUT PEGS, WITH DRAIN HOLES VAL-U-LOK(TM) | |
| FINISH | | WEIGHT | SIZE A2 | RESTRICTED TO |
| 1 | | CUSTOMER DRAWING | CAGE CODE 00779 | DRAWING NO C=1586768 |
| | | SCALE 10:1 | SHEET 1 of 1 | REV D1 |

单击下面可查看定价，库存，交付和生命周期等信息

[>>TE Connectivity\(泰科\)](#)