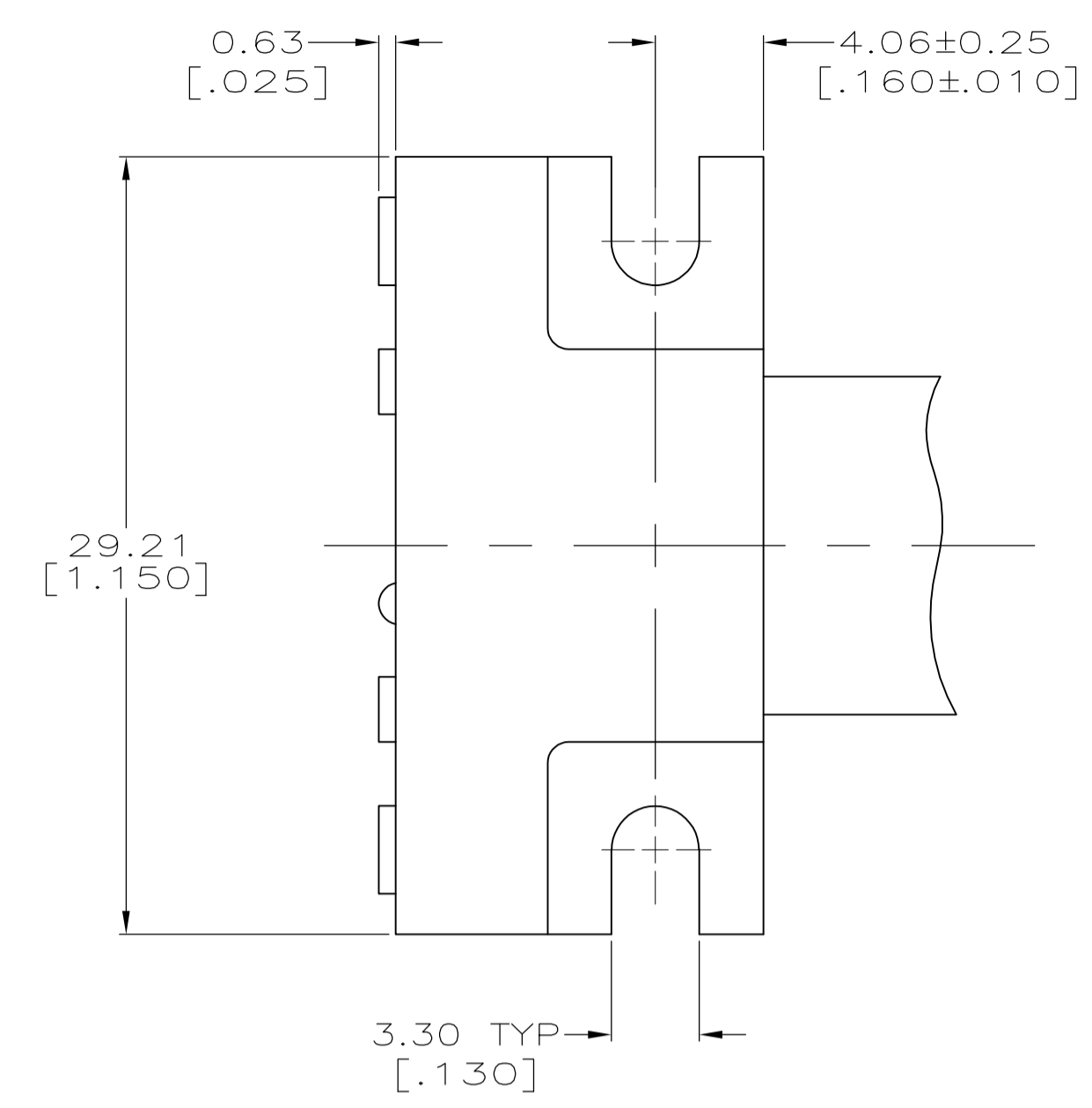
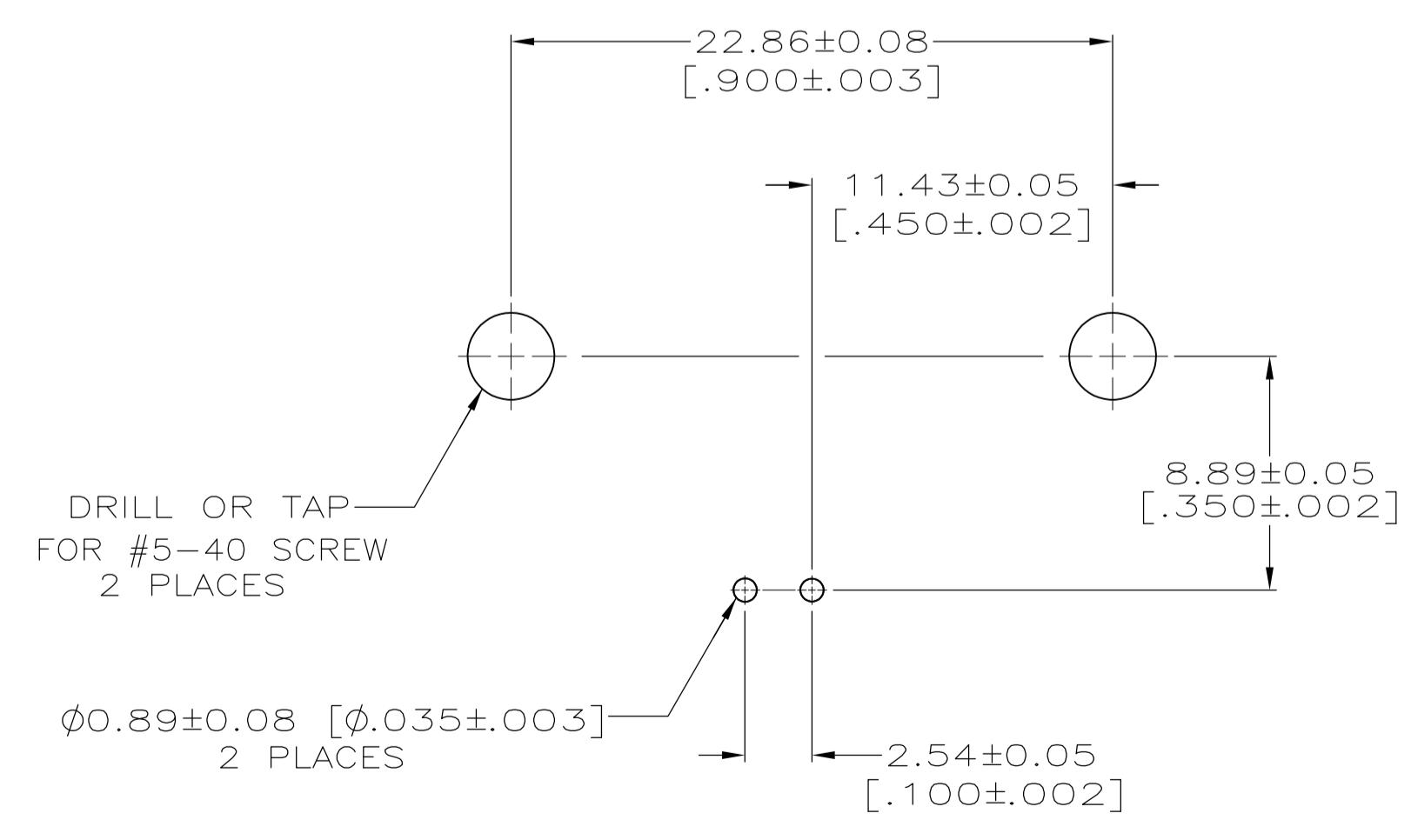
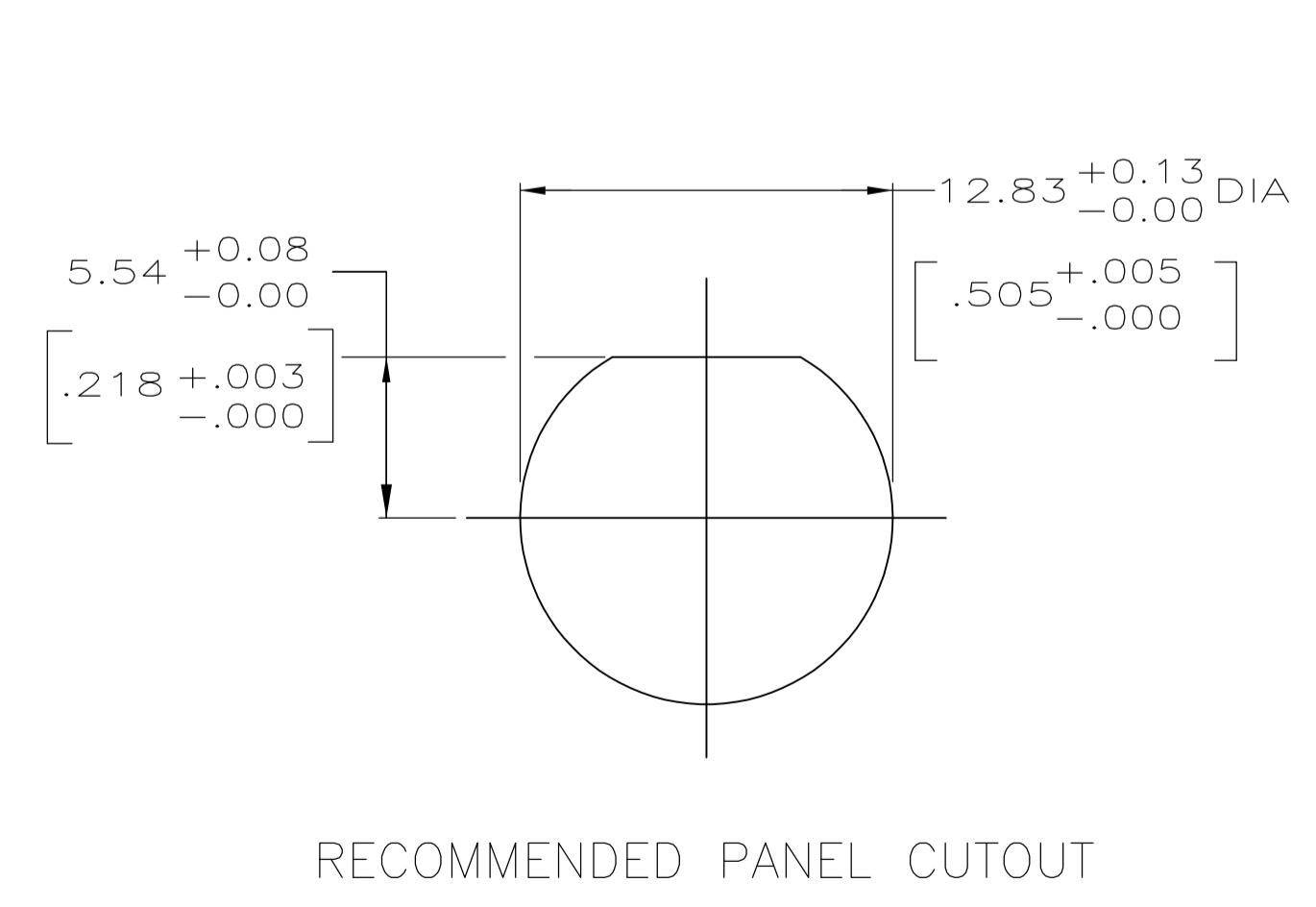
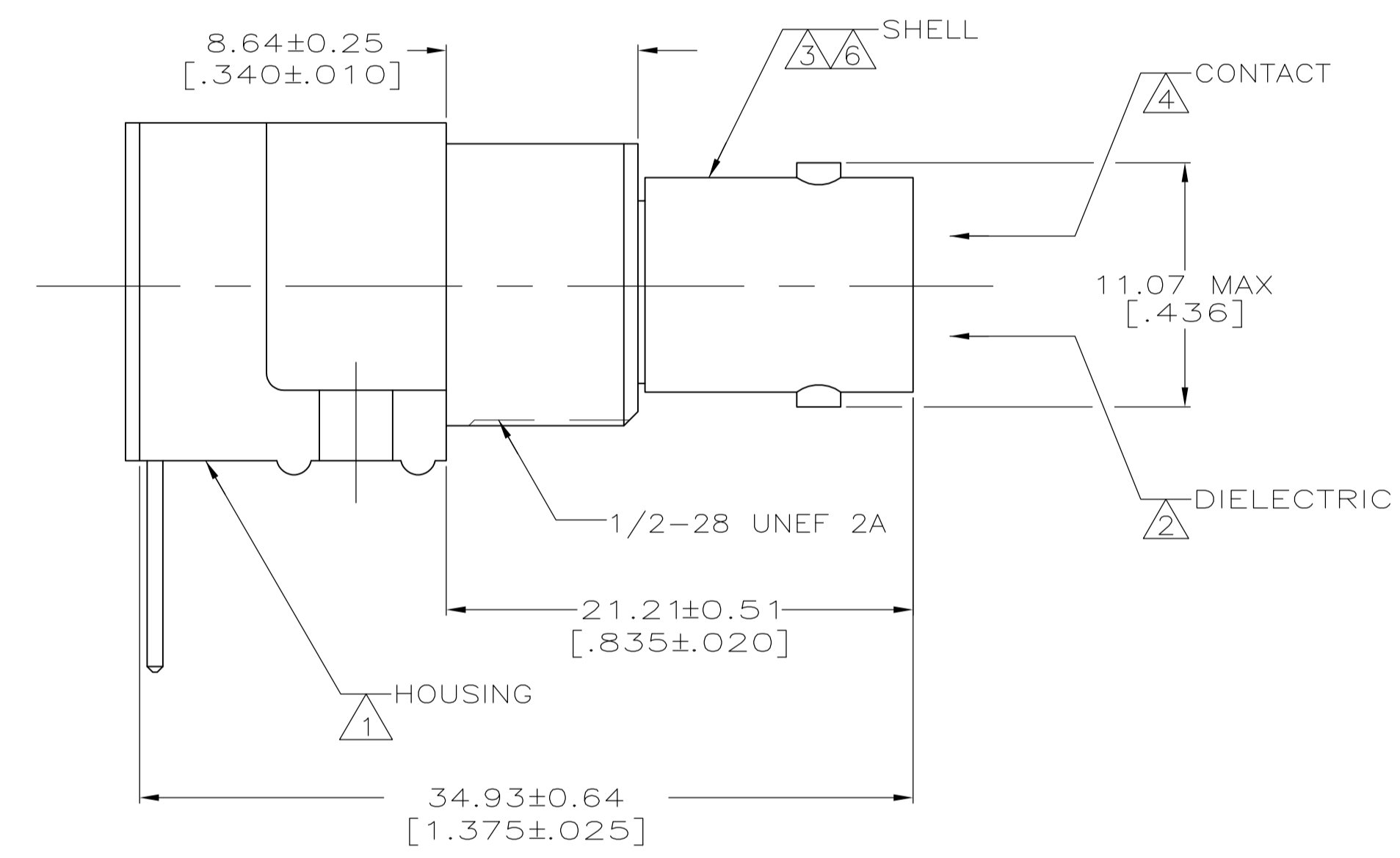
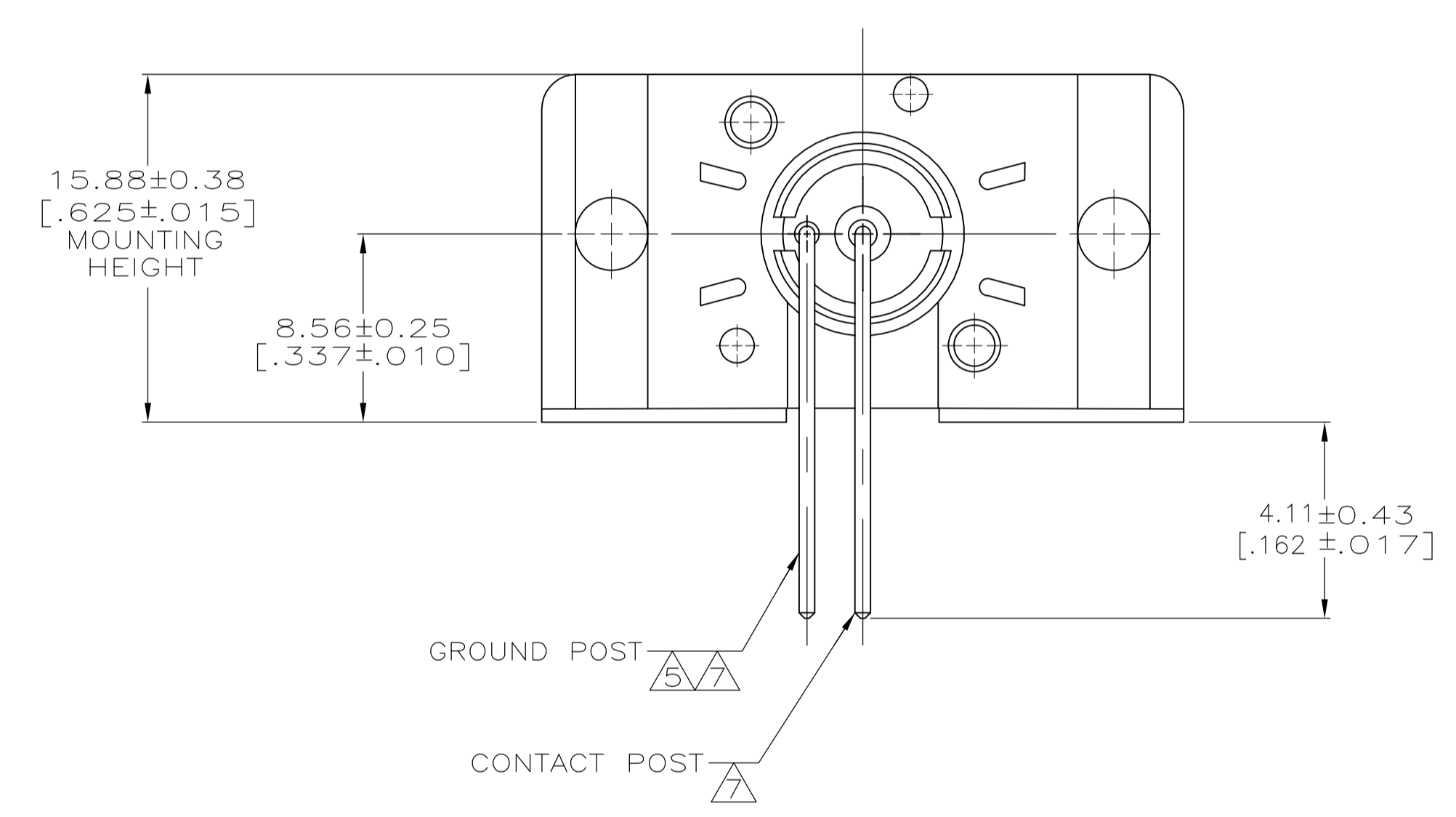


LOC	DIST	REVISIONS			
		REV	DESCRIPTION	DATE	BY
AJ	16	B1	REVISED PER ECO-11-005030	11MAR11	RK HMR



- 1 POLYESTER PBT PER MIL-M-24519, TYPE GPT-15F, UL94V-0 RATED, COLOR:NATURAL
- 2 POLYMETHYLPENTENE, GENERAL PURPOSE.
- 3 ZINC PER QQ-Z-363.
- 4 PHOSPHOR BRONZE PER QQ-B-750.
- 5 BRASS PER ASTM-B-453.
- 6 NICKEL PLATE PER QQ-N-290, 3.81 μm [.000150] MINIMUM THICK.
- 7 TIN PLATE PER ASTM-B-545, 3.81 μm [.000150] MINIMUM THICK.
- 8 GOLD PLATE PER MIL-G-45204, 0.76 μm [.000030] MINIMUM THICK.
- 9. SEE INSTRUCTION SHEET 408-2769.



5226978-3	
5226978-1	
CONTACT PLATING	PART NUMBER

THIS DRAWING IS A CONTROLLED DOCUMENT.		BIN J. ALCORTA - 25APR2005		STE TE Connectivity	
DIMENSIONS: INCHES		CIRK J. HAVENER - 25APR2005		NAME JACK, RIGHT ANGLE, 50 OHM, PCB, SERIES BNC	
TOLERANCES UNLESS OTHERWISE SPECIFIED:		APVD J. LIPPERT - 25APR2005		PRODUCT SPEC 108-12078	
0 PLC ± -		APPLICATION SPEC		SIZE CAGE CODE DRAWING NO	
1 PLC ± -		WEIGHT		A1 00779 C=5226978	
2 PLC ± 0.20 [.008]		CUSTOMER DRAWING		SCALE 4:1 SHEET 1 OF 1 REV B1	
3 PLC ± -					
4 PLC ± -					
ANGLES ± -					
FINISH SEE NOTES 6-9					

单击下面可查看定价，库存，交付和生命周期等信息

[>>TE Connectivity\(泰科\)](#)