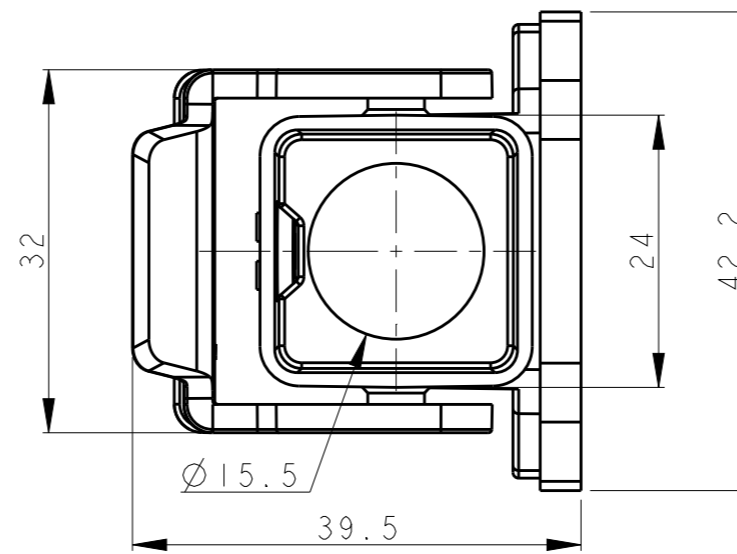
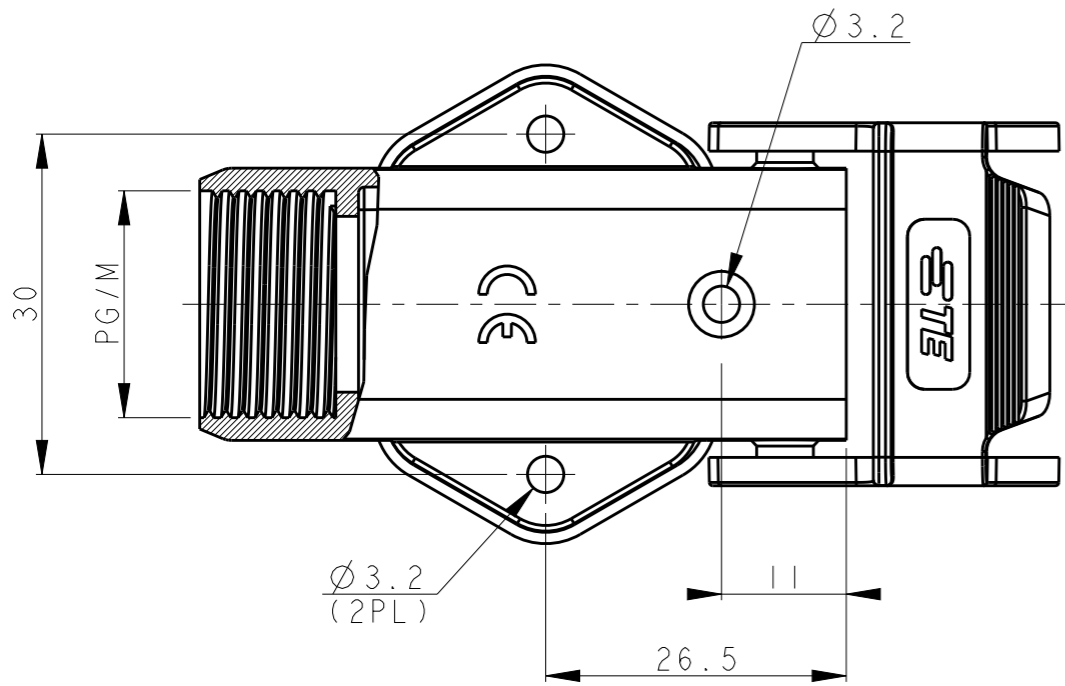


THIS DRAWING IS UNPUBLISHED. RELEASED FOR PUBLICATION 20

© COPYRIGHT 20 BY - ALL RIGHTS RESERVED.

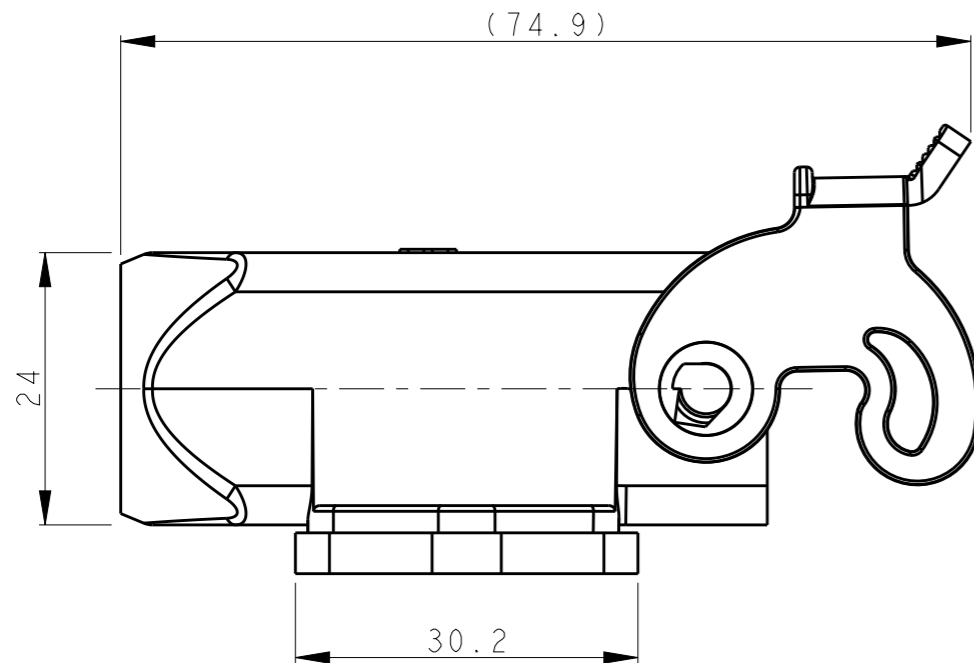
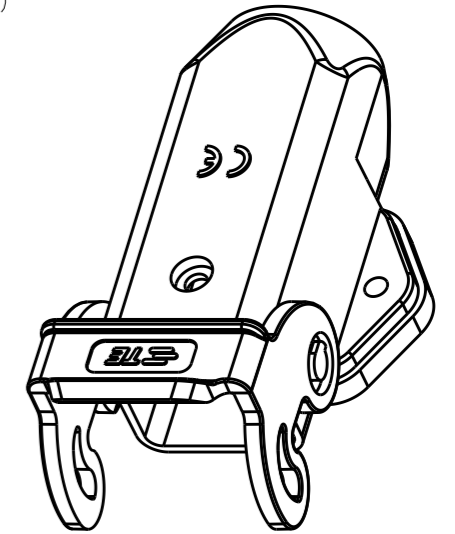
REVISIONS

P	LTR	DESCRIPTION	DATE	DWN	APVD
	A	INITIAL RELEASE	24APR2015	DL	CW
	B	ECR-18-017120	27MAR2019	BS	CW
	C	ECR-20-008412	26NOV2020	BS	CW




NOTES:
 1. TECHNICAL CHARACTERISTICS:
 BODY MATERIAL: PC
 DEGREE OF PROTECTION: IP65 (MATED)

注释:
 1. 技术参数:
 主体材料: PC
 防护等级: IP65(配合)



T1619031111-000	H3A-AGSV-PG11	H3APLASTIC HOUSING, SIDE ENTRY PG11, PLASTIC SINGLE LOCKING, GREY H3A塑料下壳, 表面侧出PG11, 塑料单扣, 灰色	PG11
T1619031116-000	H3A-AGSV-M16	H3APLASTIC HOUSING, SIDE ENTRY M16, PLASTIC SINGLE LOCKING, GREY H3A塑料下壳, 表面侧出M16, 塑料单扣, 灰色	M16
T1619031120-000	H3A-AGSV-M20	H3APLASTIC HOUSING, SIDE ENTRY M20, PLASTIC SINGLE LOCKING, GREY H3A塑料下壳, 表面侧出M20, 塑料单扣, 灰色	M20
PART NUMBER 料号	PART DESCRIPTION 描述		PG/M

THIS DRAWING IS A CONTROLLED DOCUMENT.		DWN 24APR2015 DAVID LI	 TE Connectivity	
		CHK 24APR2015 CHRIS WANG		
		APVD 24APR2015 XU XIANG	NAME H3A-AGSV-PG/M	
DIMENSIONS: mm		PRODUCT SPEC 108-137134		SIZE A3
TOLERANCES UNLESS OTHERWISE SPECIFIED: 0 PLC ±- 1 PLC ±- 2 PLC ±- 3 PLC ±- 4 PLC ±- ANGLES ±-		APPLICATION SPEC 114-137134		
MATERIAL -		WEIGHT -		CAGE CODE -
		CUSTOMER DRAWING		DRAWING NO C-T16190311XX000
		SCALE 3:2		RESTRICTED TO -
		SHEET 1 OF 1		REV C

单击下面可查看定价，库存，交付和生命周期等信息

[>>TE Connectivity\(泰科\)](#)