

THIS DRAWING IS UNPUBLISHED.

RELEASED FOR PUBLICATION

ALL RIGHTS RESERVED.

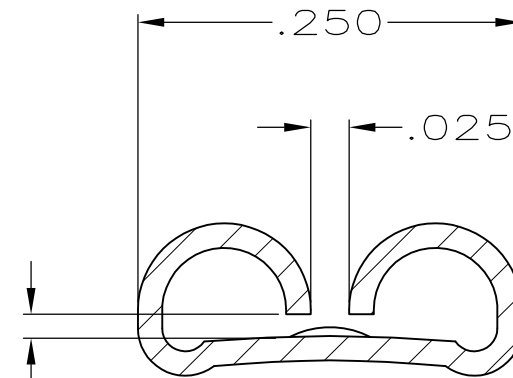
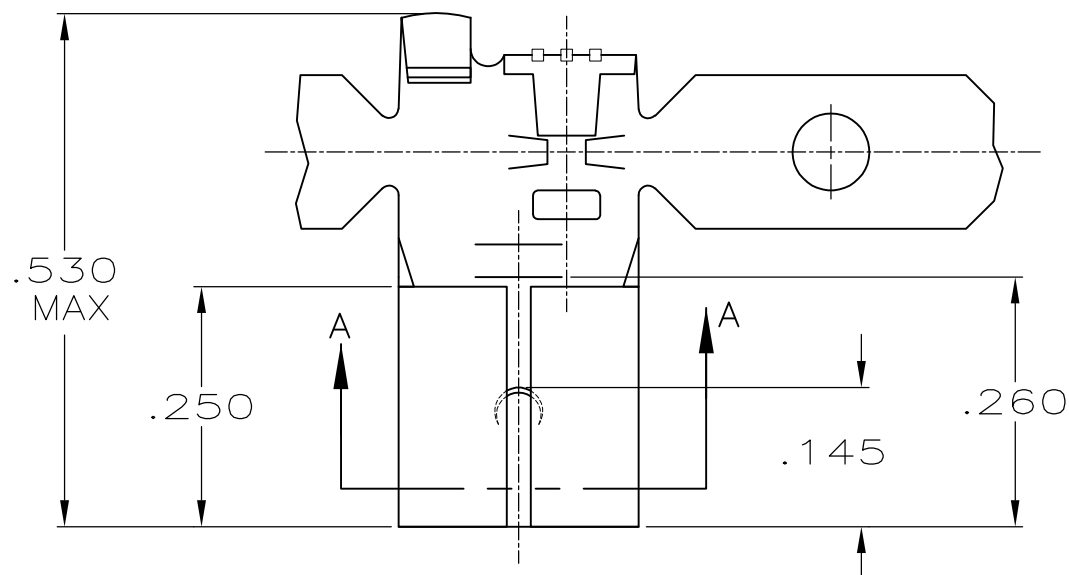
© COPYRIGHT 1963 By -

LOC AF DIST 50

REVISIONS

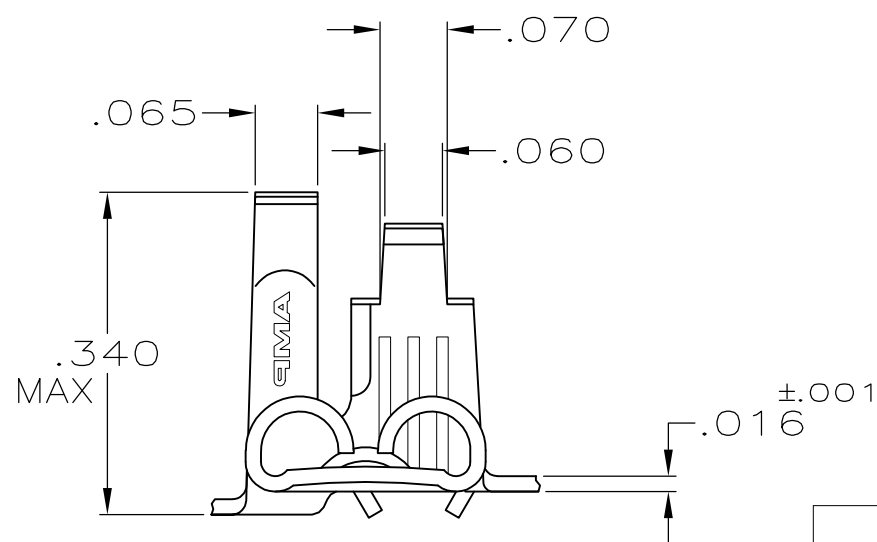
P	LTR	DESCRIPTION	DATE	DWN	APVD
D		REVISED PER ECR-12-013445	18OCT12	KH	PD

- 1 CONTINUOUS STRIP ON REELS.
- 2 FEED IS  $.650 \pm .005$ .
- 3 NON-STANDARD DESIGNS. NEW APPLICATIONS MUST BE SUBMITTED TO GATD PRODUCT ENGINEERING FOR APPROVAL. FOR PREFERRED DESIGNS REFER TO C-42711.



FITS .205 SERIES FASTON TAB

SECTION A-A  
SCALE 8:1



TIN PLATE	.110-.170	20-14	.032	60195-2
-	.110-.170	20-14	.032	60195-1
FINISH	INSULATION RANGE	WIRE RANGE	MATING TAB THICKNESS $\pm .001$	PART NUMBER

THIS DRAWING IS A CONTROLLED DOCUMENT.

DWN M.S. FEHER 27SEP2004

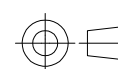
CHK P. DESANTIS 27SEP2004

APVD P. DESANTIS 27SEP2004

**STE** TE Connectivity

DIMENSIONS:  
INCHES

TOLERANCES UNLESS OTHERWISE SPECIFIED:



0 PLC	$\pm -$
1 PLC	$\pm -$
2 PLC	$\pm -$
3 PLC	$\pm .015$
4 PLC	$\pm -$
ANGLES	$\pm 1^\circ$

PRODUCT SPEC

APPLICATION SPEC

WEIGHT -

NAME RECEPTACLE, FASTON, FLAG, .205 SERIES

SIZE	CAGE CODE	DRAWING NO	RESTRICTED TO
A3	00779	C-60195	-

MATERIAL BRASS	FINISH SEE TABLE
-------------------	---------------------

CUSTOMER DRAWING	SCALE 5:1	SHEET 1 OF 1	REV D
------------------	-----------	--------------	-------

单击下面可查看定价，库存，交付和生命周期等信息

[>>TE Connectivity\(泰科\)](#)