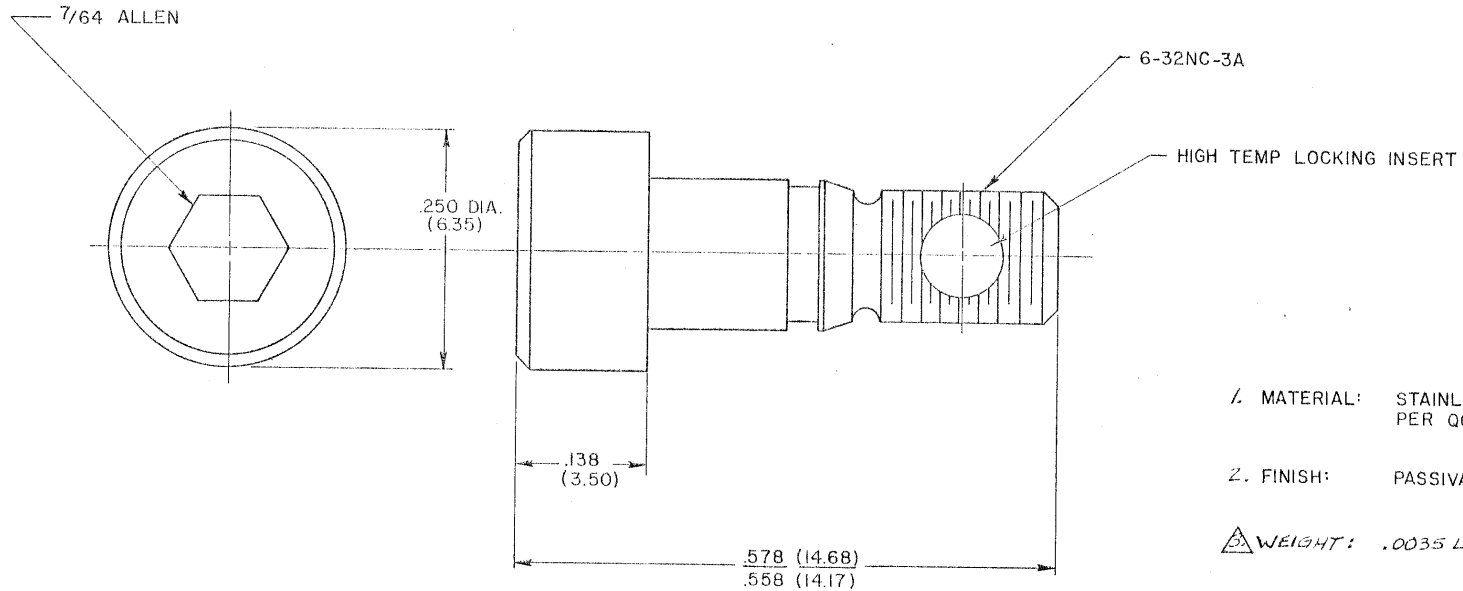


| REVISIONS | | | | |
|-----------|-----|---------------------|---------|----------|
| ZONE | CTR | DESCRIPTION | DATE | APPROVED |
| A | | NEW DESIGN - 013037 | 6/18/79 | |



1. MATERIAL: STAINLESS STEEL 300 SERIES PER QQ-S-763.

2. FINISH: PASSIVATE PER QQ-P-35.

3. WEIGHT: .0035 LBS. [1.588gr.] MAX.

© Raychem Corporation 1979

CONNECTOR SPECIFICATION CONTROL DRAWING

| | | | | | |
|---|----------|-----------|---------|--|--------------|
| UNLESS OTHERWISE SPECIFIED DIMENSIONS ARE IN INCHES BRACKETED DIMENSIONS () ARE METRIC AND TOLERANCES ARE: .xxx: ±.005 (.127mm) .xx: ± () Δ: ± | DRAWN | A.M. LEE | 6-18-79 | Raychem <small>RAYCHEM CORPORATION 300 CONSTITUTION DRIVE MENLO PARK, CALIFORNIA 94025</small> | |
| | CHECKED | Hogman | 6-20-79 | | |
| | APPROVED | B/S/ab | 6-25-79 | TITLE | |
| | APPROVED | | | SCREW, CAPTIVE | |
| | APPROVED | | | ALLEN HEAD | |
| | PROJECT | 6448-7072 | SIZE | CODE IDENT | DWG. NO. |
| | | | C | NO. 06090 | CTA-0028 |
| | | | WEIGHT | Δ | SHEET / OF / |

If this document is printed it becomes uncontrolled.
 Check with the web for latest revision.

DO NOT SCALE THIS DRAWING

单击下面可查看定价，库存，交付和生命周期等信息

[>>TE Connectivity\(泰科\)](#)