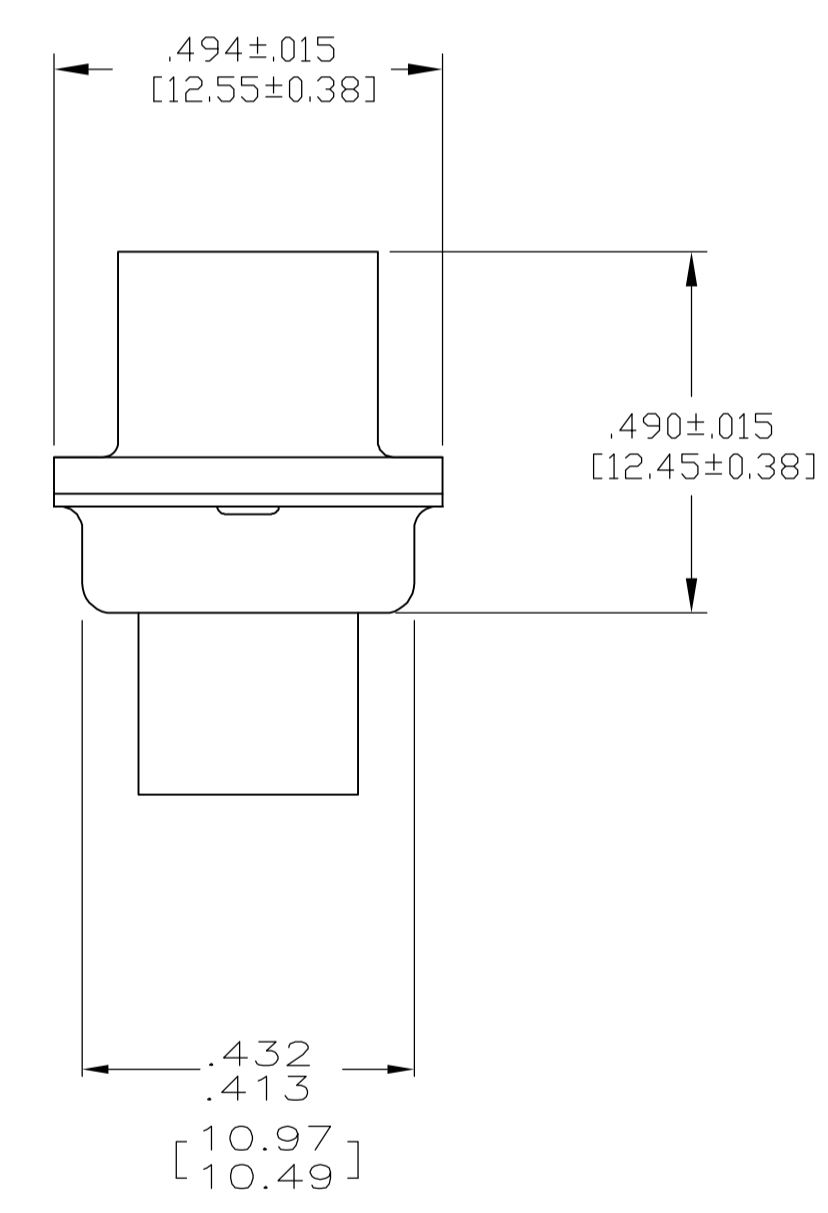
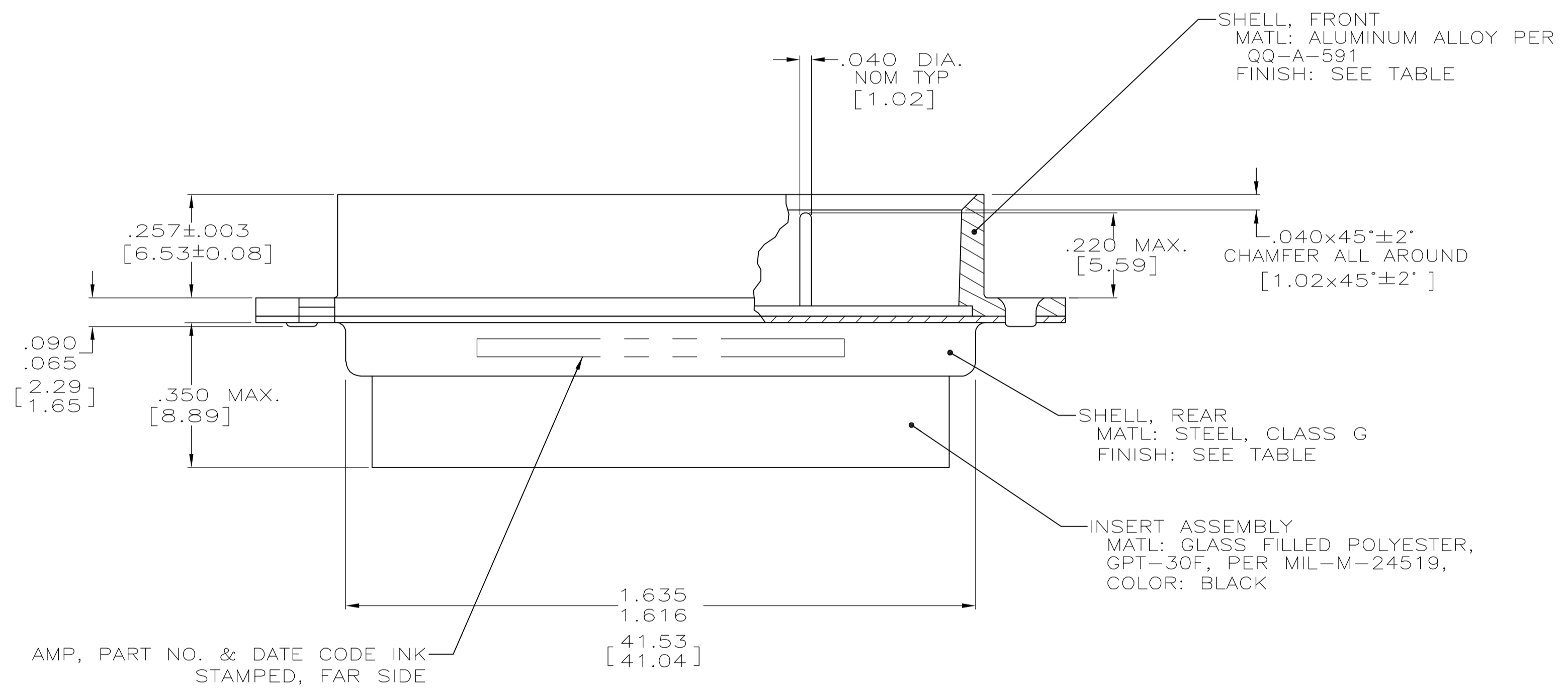
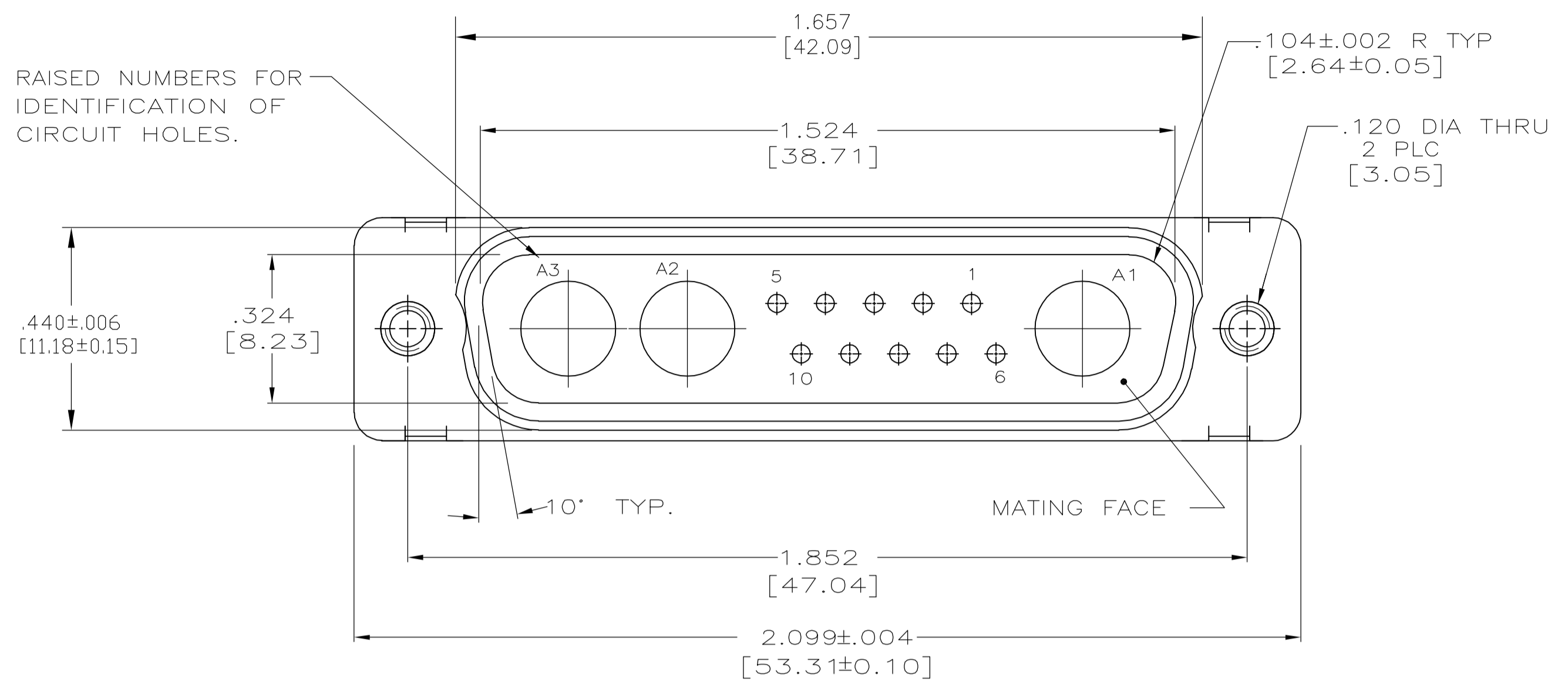


LOC		DIST		REVISIONS				
DF	DO	REV	PER	ECO	DESCRIPTION	DATE	DWN	APVD
C		REV PER	ECO	05-13647		4-7-06	CT	DM



- THIS PLUG WILL MATE WITH ANY 13C3, SIZE 3 RECEPTACLE IN AMPLIMITE SERIES.
  - SST RETENTION CLIPS ARE INCLUDED IN INSERTS AT POSITIONS 1 THRU 10
  - THIS PLUG IS DESIGNED TO CONFORM TO THE LATEST ISSUE OF MIL-C-24308.
  - POSITIONS 1 THRU 10 WILL ACCEPT SIZE 20 DM PIN CONTACT M39029/64-369 OR ANY AMP SIZE 20 DF PIN CONTACT.
  - CONTACTS NOT SUPPLIED WITH CONNECTOR
- 6 FINISH: CADMIUM PER QQ-P-416; YELLOW CHROMATE.  
7 FINISH: ZINC PLATED PER ASTM-B-633 .000200 MIN THK WITH SUPPLEMENTARY CHROMATE (Cr3+).

7	5-447723-1
6	447723-1
FINISH	PART NO.

THIS DRAWING IS A CONTROLLED DOCUMENT.		DWG: P. YEAGER 2-11-91	Tyco Electronics Corporation Harrisburg, PA 17105-3608
DIMENSIONS: INCHES [mm]		CHK: A. EMADI 2-21-91	
TOLERANCES UNLESS OTHERWISE SPECIFIED:		APVD: A. EMADI 2-21-91	NAME: PLUG ASSEMBLY, AMPLIMITE, COAX MIX, 13C3, SIZE 3 BLINDMATE
0 PLC ± - 1 PLC ± - 2 PLC ± - 3 PLC ± .005 [0.13] 4 PLC ± - ANGLES ± -		APPLICATION SPEC	
MATERIAL: SEE CALLOUTS	FINISH: SEE CALLOUTS	WEIGHT: -	RESTRICTED TO: -
CUSTOMER DRAWING		SIZE: A1	SCALE: 4:1
		CAGE CODE: 00779	DRAWING NO: 447723
		SHEET: 1 OF 1	REV: C

单击下面可查看定价，库存，交付和生命周期等信息

[>>TE Connectivity\(泰科\)](#)