

4

3

2

1

THIS DRAWING IS UNPUBLISHED.

RELEASED FOR PUBLICATION

20

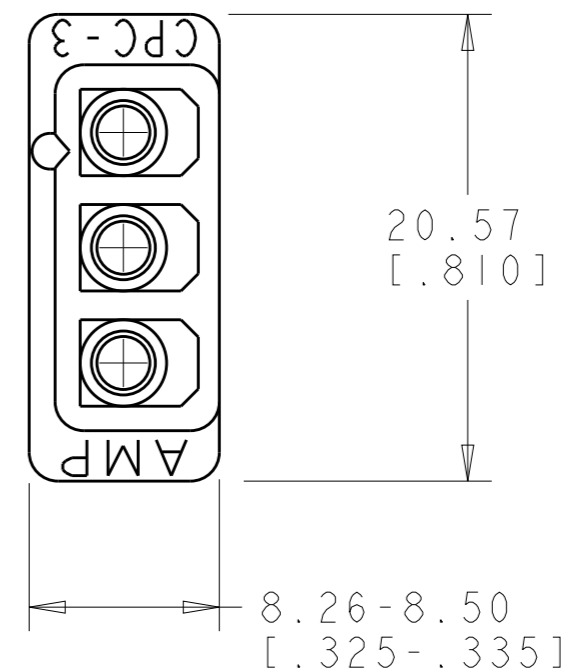
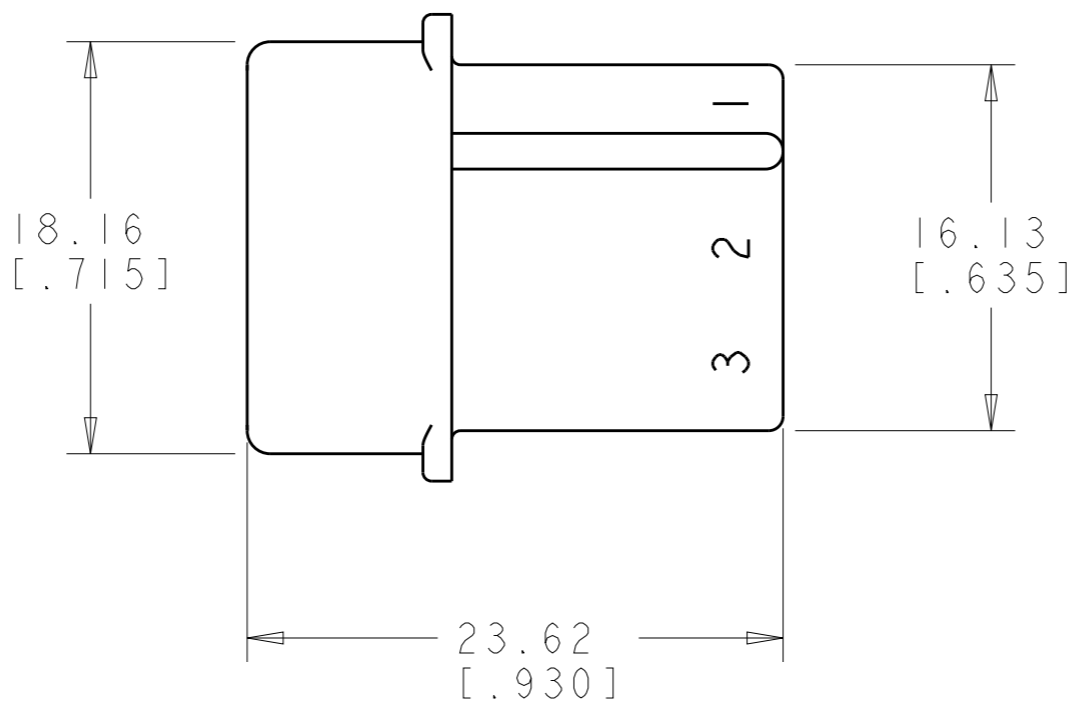
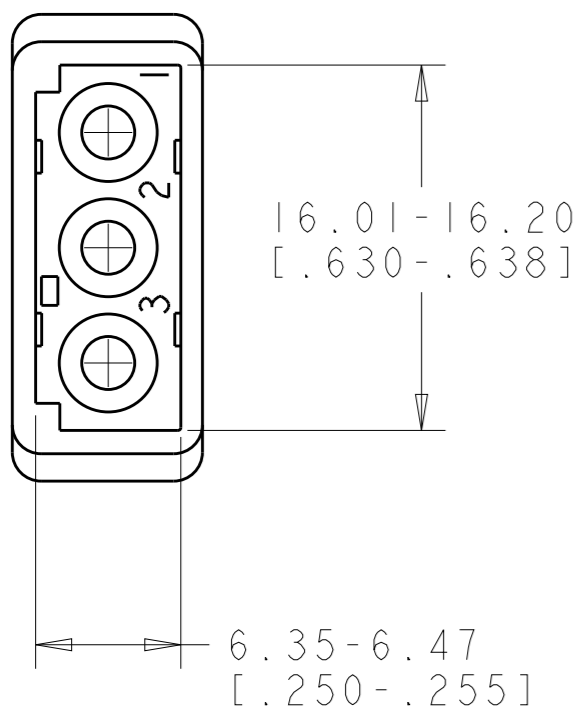
© COPYRIGHT 20

ALL RIGHTS RESERVED.

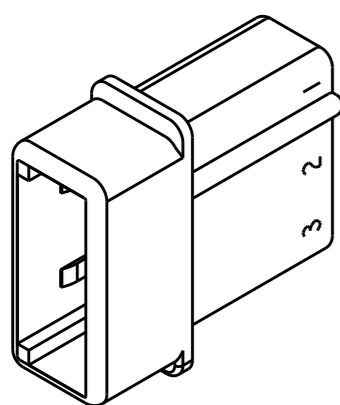
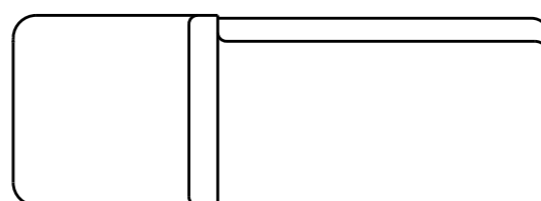
LOC CM DIST 00

REVISIONS

P	LTR	DESCRIPTION	DATE	DWN	APVD
	R1	REVISED PER ECO-11-005294	06APR2011	RK	HMR
	R2	REVISED PER ECR-14-015591	13NOV2014	AV	KD



1. MATES WITH HOUSING 480303 OR 480304.

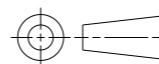


SCALE 2:1

METRIC

THIS DRAWING IS A CONTROLLED DOCUMENT.

DIMENSIONS: mm [INCHES]



TOLERANCES UNLESS OTHERWISE SPECIFIED:

- 0 PLC ±-
- 1 PLC ±-
- 2 PLC ±0.13 [.005]
- 3 PLC ±-
- 4 PLC ±-
- ANGLES ±° 30'
- FINISH -

MATERIAL NYLON, UL94V-2

DWN K. WHITAKER 19APR2002
 CHK D. COLEY 19APR2002
 APVD D. COLEY 19APR2002

PRODUCT SPEC -
 APPLICATION SPEC -
 WEIGHT -

CUSTOMER DRAWING

STE TE Connectivity

CAP, COMMERCIAL MATE-N-LOK™, 3 CIRCUIT

SIZE	CAGE CODE	DRAWING NO	RESTRICTED TO
A3	00779	C-480305	-

SCALE 3:1 SHEET 1 OF 1 REV R2

单击下面可查看定价，库存，交付和生命周期等信息

[>>TE Connectivity\(泰科\)](#)