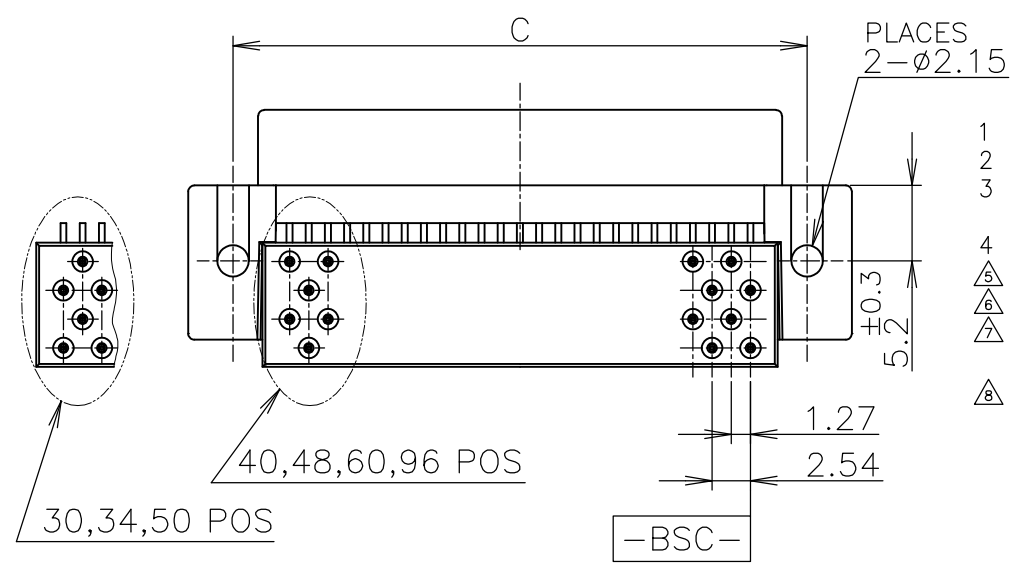
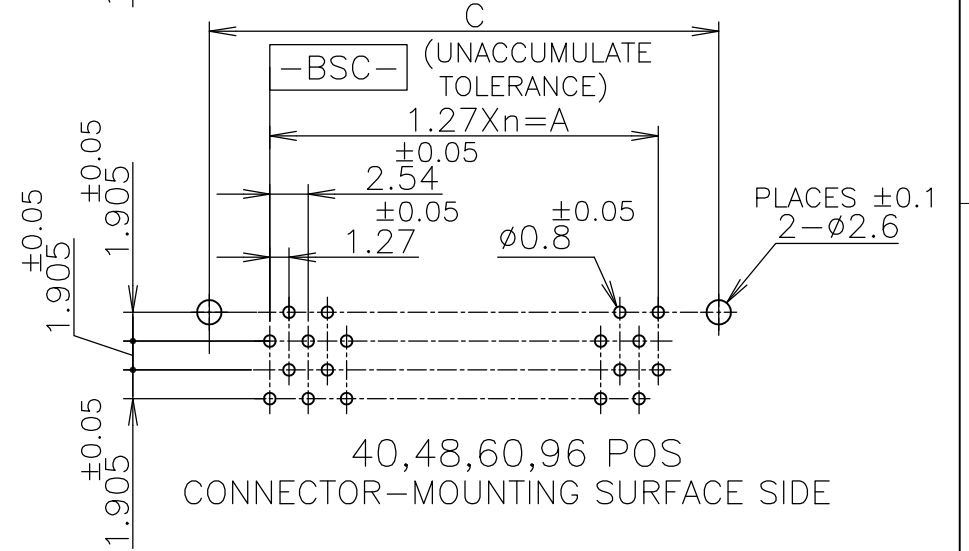
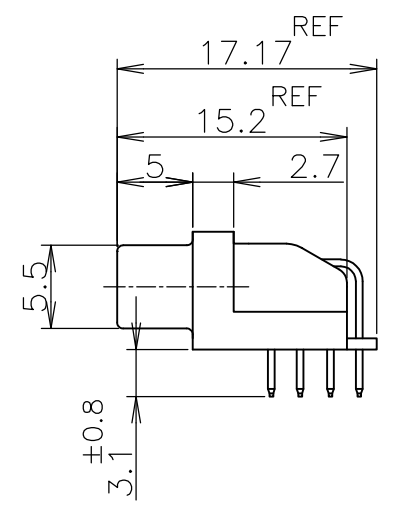
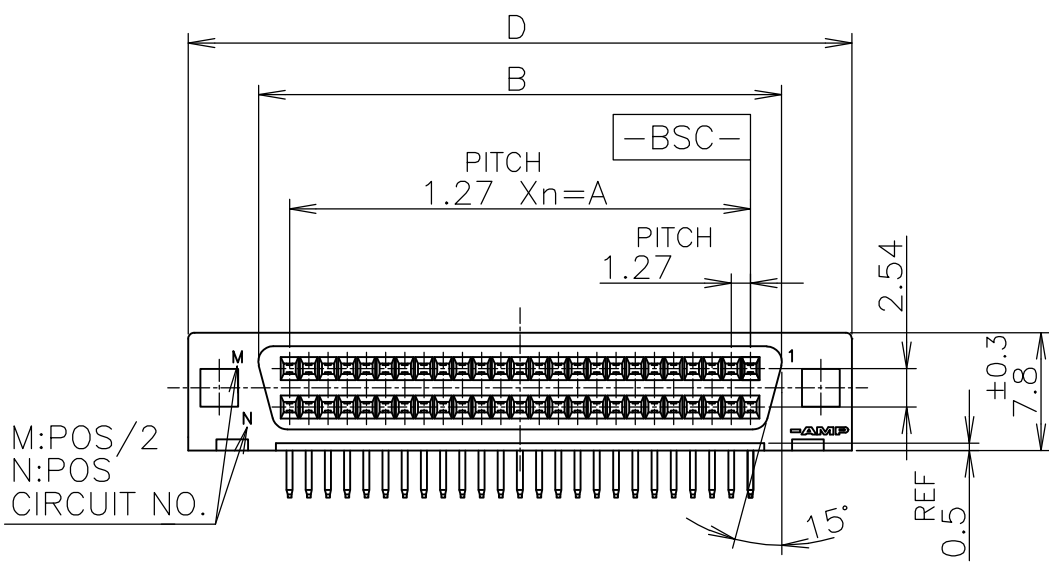
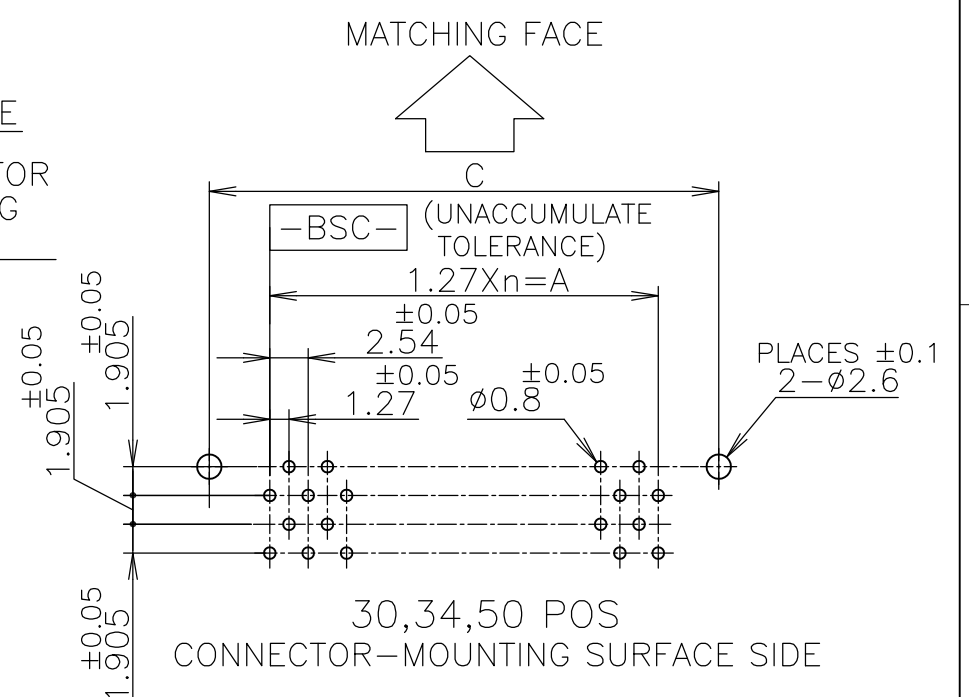
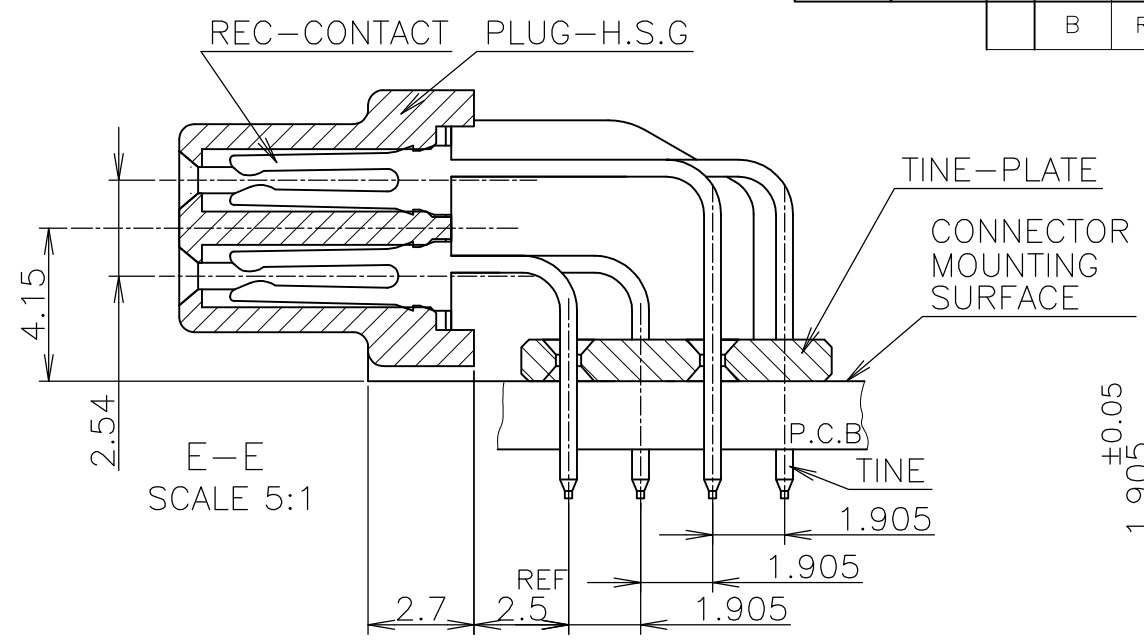
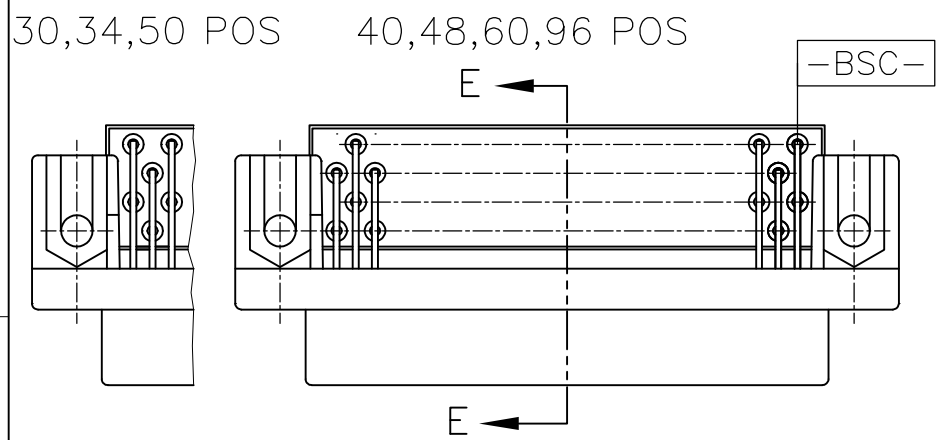


THIS DRAWING IS UNPUBLISHED. RELEASED FOR PUBLICATION AUG. 2004.
 © COPYRIGHT 2004 By - ALL RIGHTS RESERVED.

LOC	DIST	REVISIONS					
J		P	LTR	DESCRIPTION	DATE	DWN	APVD
		B		REVISED PER ECO-14-006391	24MAY2014	AP	SB



- 1 USE A P.C.B WHOSE SURFACES ARE TREATED WITH SOLDER RESIST.
- 2 SHOW P.C.B LAYOUT FROM THE CONNECTOR-MOUNTING SURFACE SIDE.
- 3 NUMBER THE CONTACTS IN THE P.C.B OR CONNECTOR CONSECUTIVELY FROM THE -BSC- SIDE.
- 4 WHEN SCREWING THE CONNECTOR TO THE P.C.B, USE M2 SCREW, NUT AND WASHERS.
- △ HOUSING MATERIAL : GLASS 20% FILLED P.B.T RESIN (UL94-V0). COLOR:BLACK
- △ CONTACT MATERIAL : PHOSPHOR BRONZE.
- △ FINISH : NICKEL 0.00127 MIN THK OVERALL SELECTIVE GOLD 0.0002 MIN THK ON CONTACT AREA AND TIN 0.001MIN THK ON TINE AREA.
- △ OBSOLETE PARTS: OBSOLETE CIS STREAMLINING PER D.RENAUD/D.SINISI

OBSOLETE	-8	96	47	59.61	63.86	67.09	73.09
NOT RELEASED	-6	48	23	29.21	33.38	36.61	42.61
△ 8	-5	34	16	20.32	24.49	27.72	33.72
△ 8	-4	60	29	36.83	41.00	44.23	50.23
△ 8	-3	50	24	30.48	34.65	37.88	43.88
OBSOLETE	-2	40	19	24.13	28.30	31.53	37.53
△ 8	5173277-1	30	14	17.78	21.95	25.18	31.18
	P/N	POS	n	A	B	C	D

THIS DRAWING IS A CONTROLLED DOCUMENT.		DWN	COREL WANG	20AUG04
DIMENSIONS: mm		CHK	STEVEN YAO	23AUG04
TOLERANCES UNLESS OTHERWISE SPECIFIED:		APVD	I.ENOMOTO	23AUG04
0 PLC	±	NAME		
1 PLC	±	PLUG ASSY HORIZONTAL		
2 PLC	±	AMPLIMITE .050 SERIES I B-TO-B CONN.		
3 PLC	±	APPLICATION SPEC		
4 PLC	±	108-60036		
ANGLES	±	SIZE		
FINISH	△	CAGE CODE		
MATERIAL	参照 △△	DRAWING NO		
		A300779		
GENERAL TOLERANCE	10 ≥ : ±0.2	RESTRICTED TO		
	30 ≥ > 10: ±0.25	SCALE		
	100 ≥ > 30: ±0.3	2:1		
	ANGLES: ±3°	SHEET		
		1 OF 2		
		REV		
		B		

STE TE Connectivity

PLUG ASSY HORIZONTAL
AMPLIMITE .050 SERIES I B-TO-B CONN.

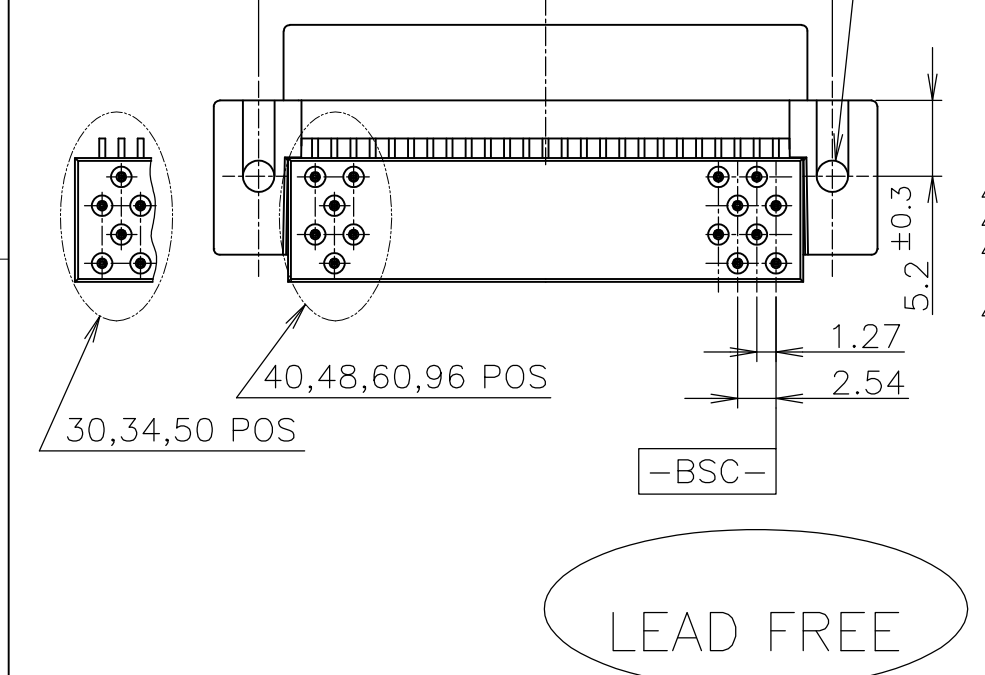
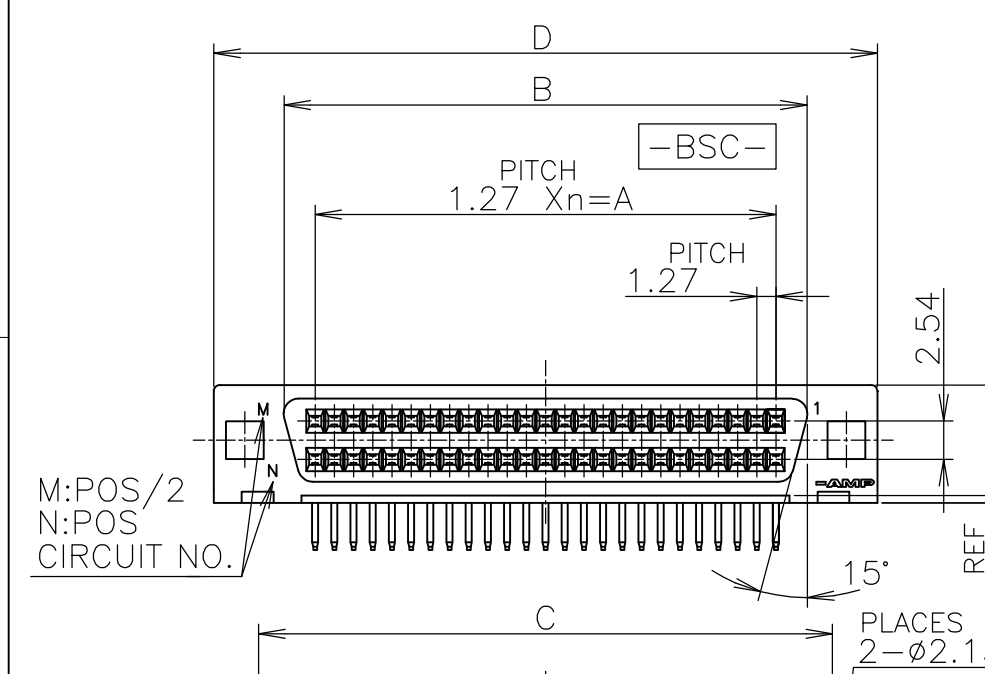
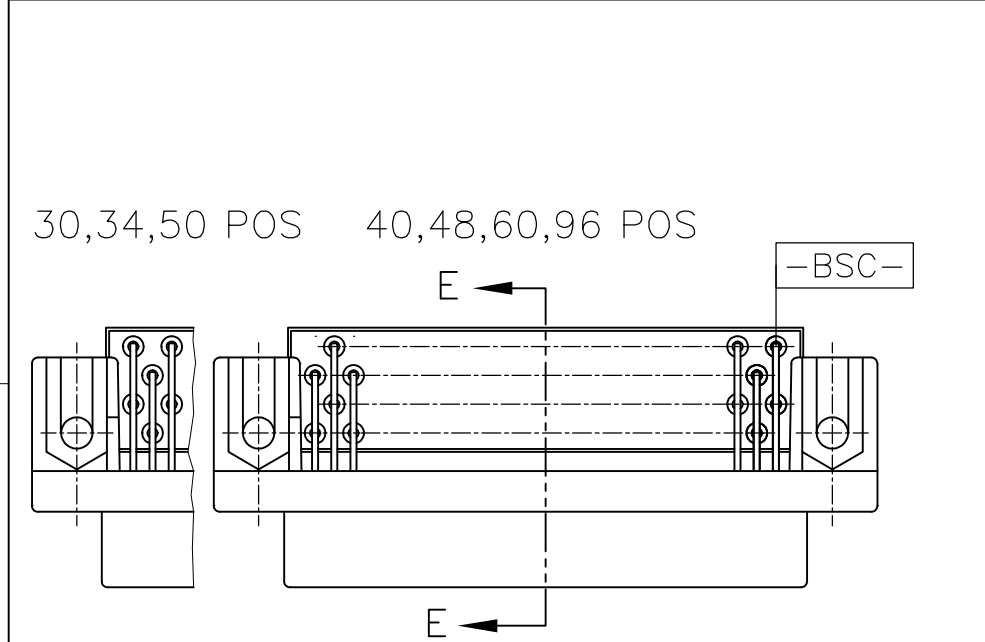
PRODUCT SPEC
108-60036

APPLICATIO N SPEC

WEIGHT

CUSTOMER DRAWING

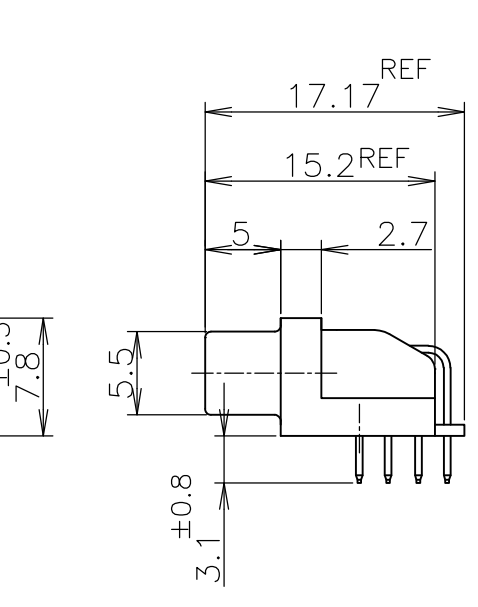
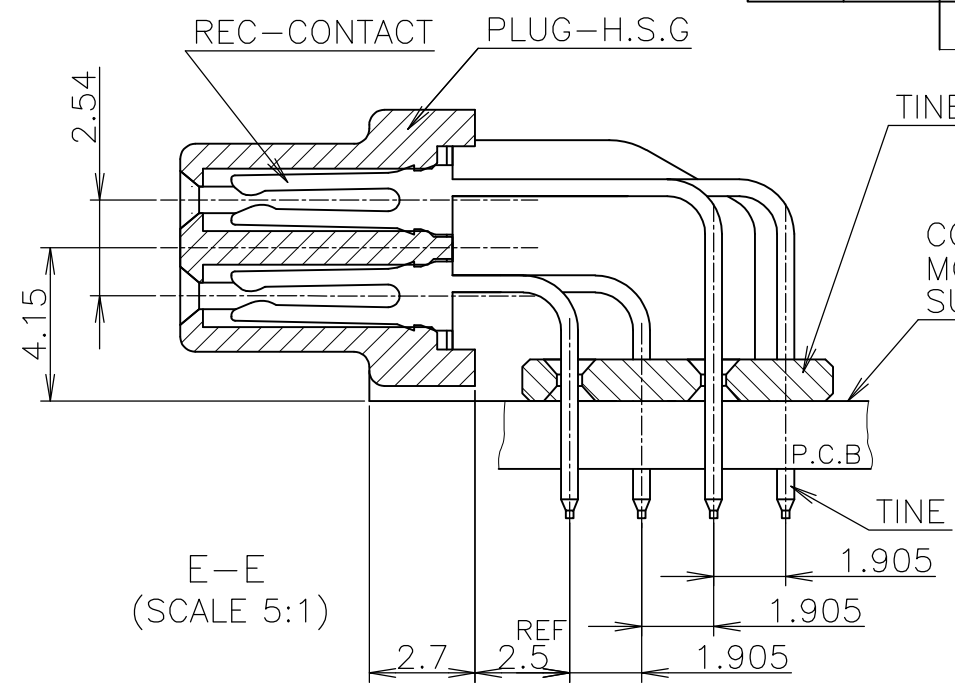
LEAD FREE



1 USE A P.C.B. WHOSE SURFACES ARE TREATED WITH SOLDER RESIST.
 2 SHOW P.C.B LAYOUT FROM THE CONNECTOR-MOUNTING SURFACE SIDE.
 3 NUMBER THE CONTACTS IN THE P.C.B OR CONNECTOR CONSECUTIVELY FROM THE [-BSC-] SIDE.
 4 WHEN SCREWING THE CONNECTOR TO THE P.C.B, USE M2 SCREW, NUT AND WASHERS.
 HOUSING MATERIAL : GLASS 20% FILLED P.B.T RESIN (UL94-V0). COLOR:BLACK
 CONTACT MATERIAL : PHOSPHOR BRONZE.
 FINISH : NICKEL 0.00127 MIN THK OVERALL SELECTIVE GOLD 0.00076 MIN THK ON CONTACT AREA AND TIN 0.001MIN THK ON TINE AREA.
 OBSOLETE PARTS: OBSOLETE CIS STREAMLINING PER D.RENAUD/D.SINISI

GENERAL TOLERANCE

10 ≥ :	±0.2
30 ≥ > 10:	±0.25
100 ≥ > 30:	±0.3
ANGLES:	±3°



OBSOLETE	6	8	96	47	59.61	63.86	67.09	73.09
OBSOLETE	6	6	48	23	29.21	33.38	36.61	42.61
8	6	5	34	16	20.32	24.49	27.72	33.72
6	6	4	60	29	36.83	41.00	44.23	50.23
OBSOLETE	6	3	50	24	30.48	34.65	37.88	43.88
6	6	2	40	19	24.13	28.30	31.53	37.53
OBSOLETE	6	5173277-1	30	14	17.78	21.95	25.18	31.18
	P/N	POS	n	A	B	C	D	

THIS DRAWING IS A CONTROLLED DOCUMENT.

DWN COREL WANG 20AUG2004
 CHK STEVEN YAO 23AUG2004
 APVD I.ENOMOTO 23AUG2004

STE TE Connectivity

PLUG ASSY HORIZONTAL
 AMPLIMITE .050 SERIES I B-TO-B CONN.

108-10036

PRODUCT SPEC
 APPLICATION SPEC

NAME

SIZE A3 CAGE CODE 00779 DRAWING NO C-5173277 RESTRICTED TO

WEIGHT

CUSTOMER DRAWING SCALE 2:1 SHEET 2 OF 2 REV B

单击下面可查看定价，库存，交付和生命周期等信息

[>>TE Connectivity\(泰科\)](#)