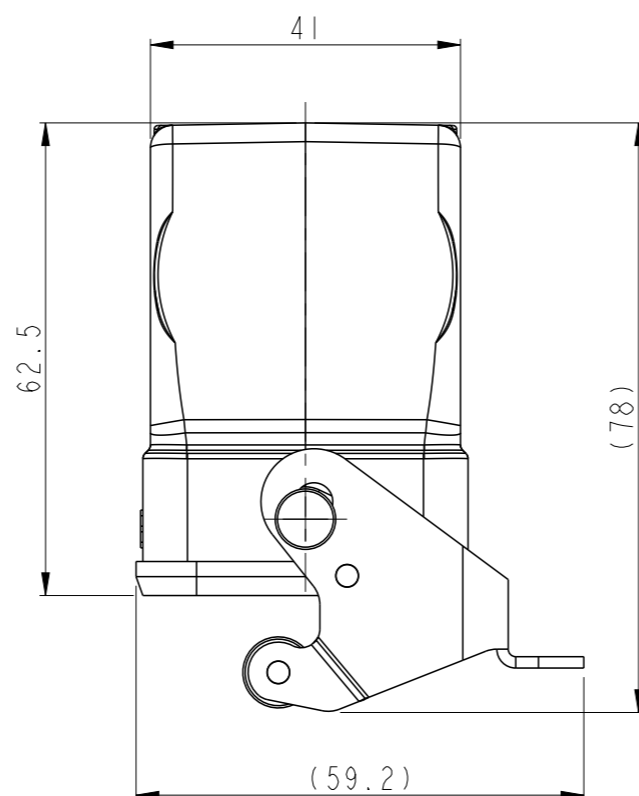
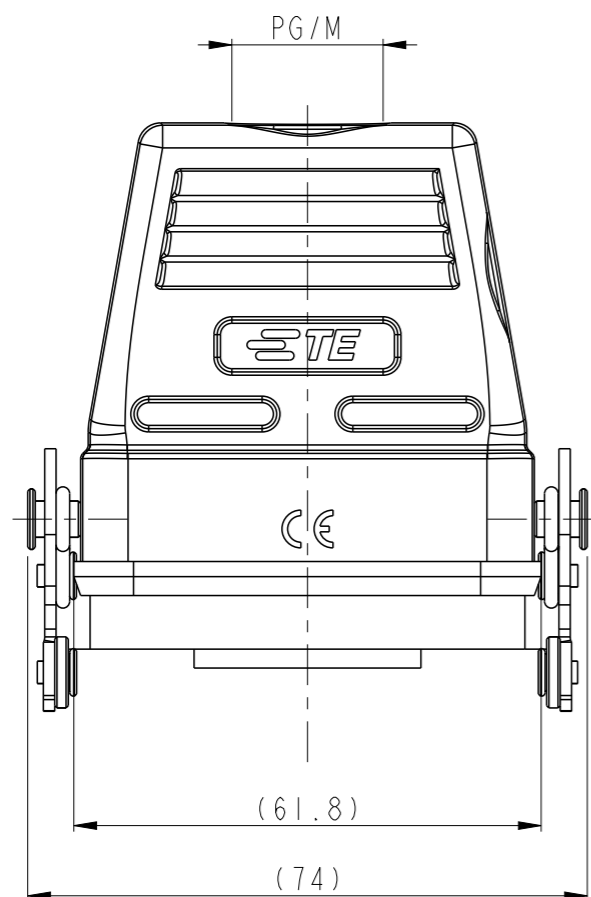


THIS DRAWING IS UNPUBLISHED. RELEASED FOR PUBLICATION 20
 © COPYRIGHT 20 BY - ALL RIGHTS RESERVED.

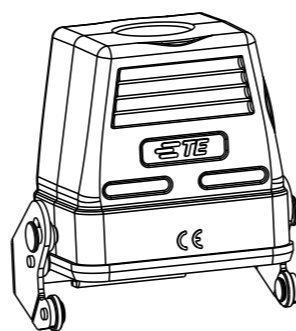
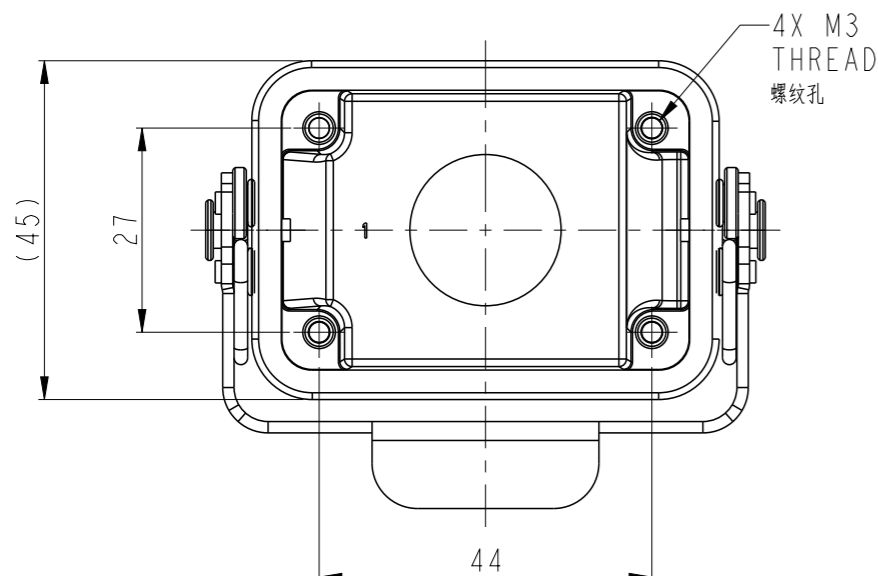
REVISIONS

P	LTR	DESCRIPTION	DATE	DWN	APVD
	A	INITIAL	23JUN2015	DW	CW
	A1	ECR-15-012067	10AUG2015	DW	CW
	A2	ECR-16-010249	15JUL2016	CH	CW
	B	ECR-20-007968	22JUN2020	WQR	CW



NOTES:
 1. TECHNICAL CHARACTERISTICS:
 HOOD MATERIAL: DIE CAST ALUMINIUM ALLOY
 SURFACE: POWDER COATED, GRAY
 DEGREE OF PROTECTION: IP65 (MATED)

注释:
 1. 技术参数:
 壳体材料: 铝合金
 表面处理: 灰色粉末喷涂
 防护等级: IP65(配合)



SCALE 1:2

PART NUMBER 料号	PART DESCRIPTION 描述	PG/M PG/M螺纹孔
TI730062116-000	H6B HOUSING, CABLE TO CABLE, STAINLESS STEEL SINGLE LOCKING, PG16, POWDER COATED, GRAY H6B下壳, 电缆对接, 不锈钢单扣, PG16, 灰色粉末喷涂	PG16
TI730062120-000	H6B HOUSING, CABLE TO CABLE, STAINLESS STEEL SINGLE LOCKING, M20, POWDER COATED, GRAY H6B下壳, 电缆对接, 不锈钢单扣, M20, 灰色粉末喷涂	M20
TI730062125-000	H6B HOUSING, CABLE TO CABLE, STAINLESS STEEL SINGLE LOCKING, M25, POWDER COATED, GRAY H6B下壳, 电缆对接, 不锈钢单扣, M25, 灰色粉末喷涂	M25
TI730062132-000	H6B HOUSING, CABLE TO CABLE, STAINLESS STEEL SINGLE LOCKING, M32, POWDER COATED, GRAY H6B下壳, 电缆对接, 不锈钢单扣, M32, 灰色粉末喷涂	M32

THIS DRAWING IS A CONTROLLED DOCUMENT.

DIMENSIONS: mm	TOLERANCES UNLESS OTHERWISE SPECIFIED: 0 PLC ±- 1 PLC ±- 2 PLC ±- 3 PLC ±- 4 PLC ±- ANGLES ±- FINISH -
MATERIAL -	FINISH -

DWN	23JUN2015
DAVID.WANG	
CHK	23JUN2015
CHRIS.WANG	
APVD	23JUN2015
XIANG.XU	
PRODUCT SPEC	108-137013
APPLICATION SPEC	114-137013
WEIGHT	-
Customer Drawing	

STE TE Connectivity

NAME
H6B-TBFS-M/PG

SIZE	CAGE CODE	DRAWING NO	RESTRICTED TO
A3	00779	©-TI7300621XX000	-

SCALE 1:1 SHEET 1 OF 1 REV B

单击下面可查看定价，库存，交付和生命周期等信息

[>>TE Connectivity\(泰科\)](#)