

THIS DRAWING IS UNPUBLISHED.

RELEASED FOR PUBLICATION

ALL RIGHTS RESERVED.

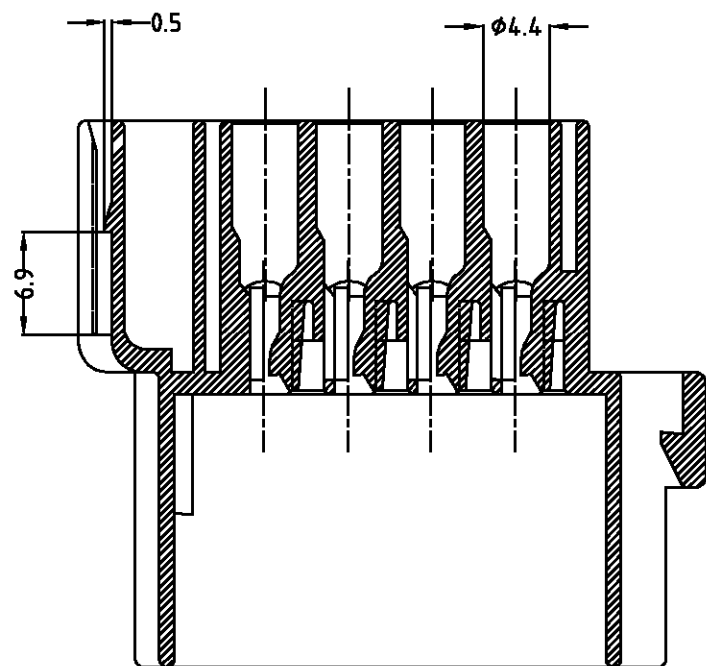
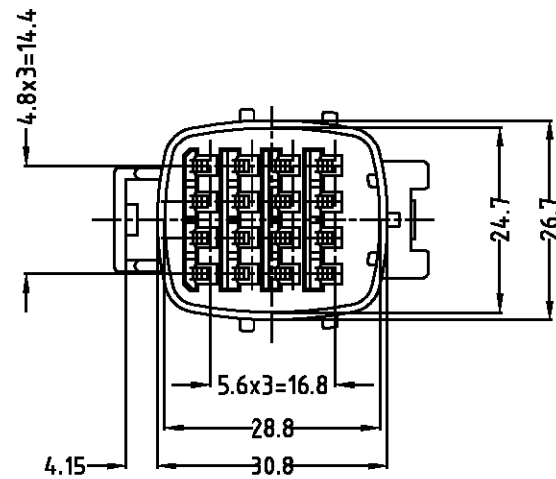
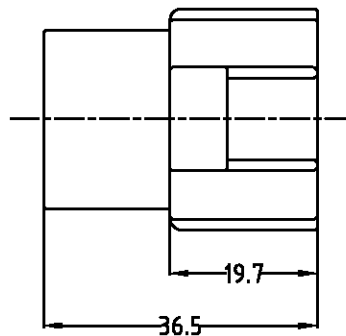
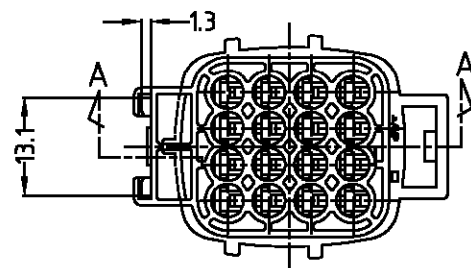
© COPYRIGHT

LOC DS

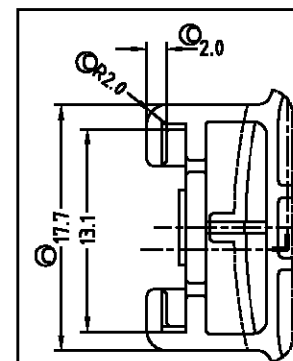
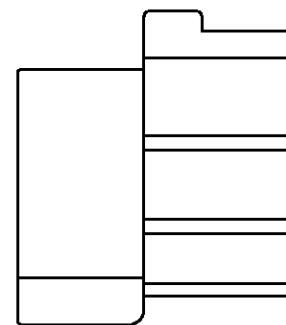
DIST

REVISIONS

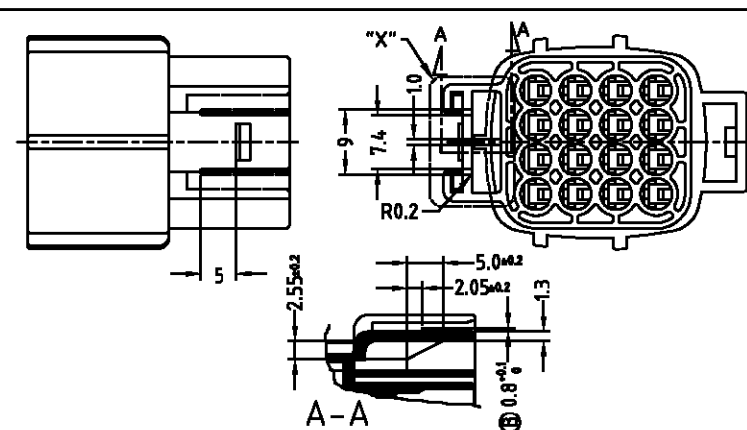
P	LTR	DESCRIPTION	DATE	DWN	APVD
C1		REVISED PER ECO-11-005294	07APR11	RK	HMR



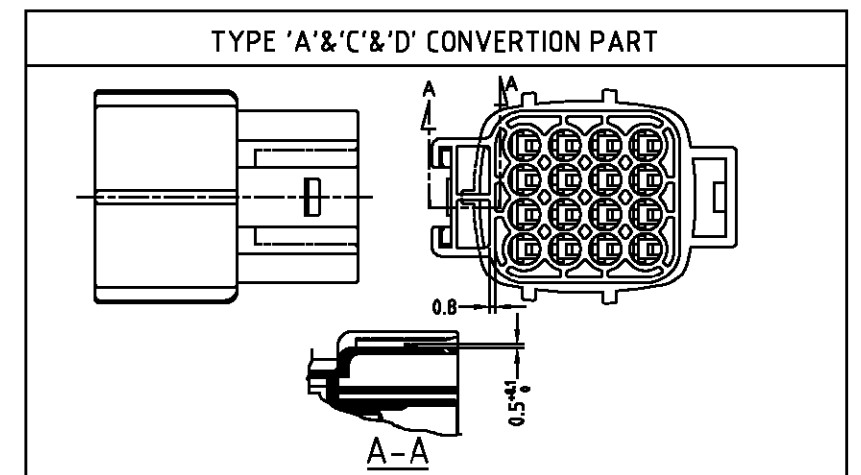
A-A
(SCALE 2:1)



DETAIL X

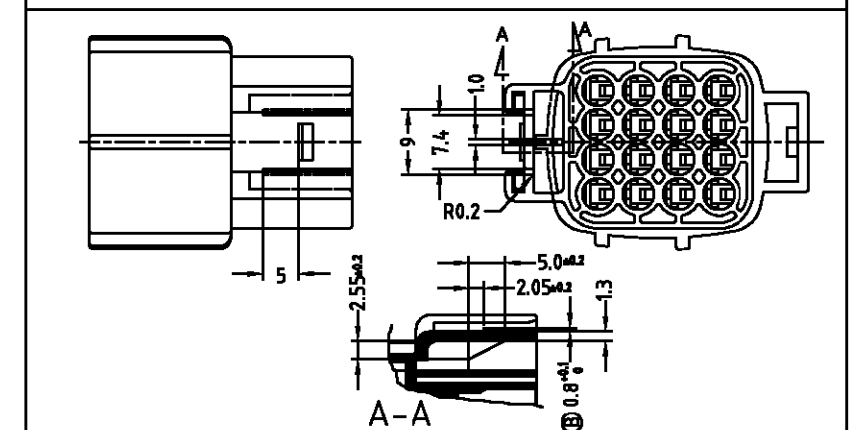


A-A
P/N:3-368050-1/3,(TYPE 'D')



TYPE 'A' & 'C' & 'D' CONVERSION PART

P/N:0-368050-1,3(TYPE 'A')



A-A
P/N:2-368050-1/3(TYPE 'C')

NOTE.

1. FOR PLUG HOUSING P/N : 368047
2. THIS PART MUST BE USED WITH DOUBLE LOCK PLATE P/N : 368051
3. APPLICABLE CLIP P/N : 368121

①	3-368050-3	PBT	GRAY
②	3-368050-1	PBT	BLACK
③	2-368050-3	PBT	GRAY
④	2-368050-1	PBT	BLACK
	0-368050-3	PBT	GRAY
	0-368050-1	PBT	BLACK
	PART NO.	MATERIAL	COLOR

DIMENSIONS: MM		TOLERANCES UNLESS OTHERWISE SPECIFIED:		DWN MS HER		TE Connectivity	
3rd ANGLE PROJECTION		0 <XX<10 ± 0.2 10<XX<30 ± 0.25 30<XX ± 0.3 ANGLES ± 3°		CHK BH JANG			
MATERIAL SEE TABLE		FINISH		APVD CS LEE		SIZE A3	
				PRODUCT SPEC ---		CAGE CODE 00779	
				APPLICATION SPEC ---		DRAWING NO 368050	
				WEIGHT ---		SCALE 1:1	
						SHEET 1 OF 1	
						REV C1	

单击下面可查看定价，库存，交付和生命周期等信息

[>>TE Connectivity\(泰科\)](#)