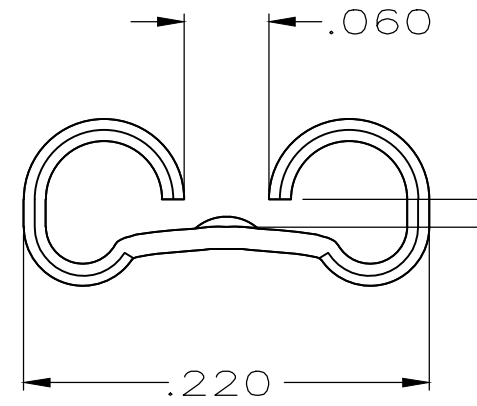
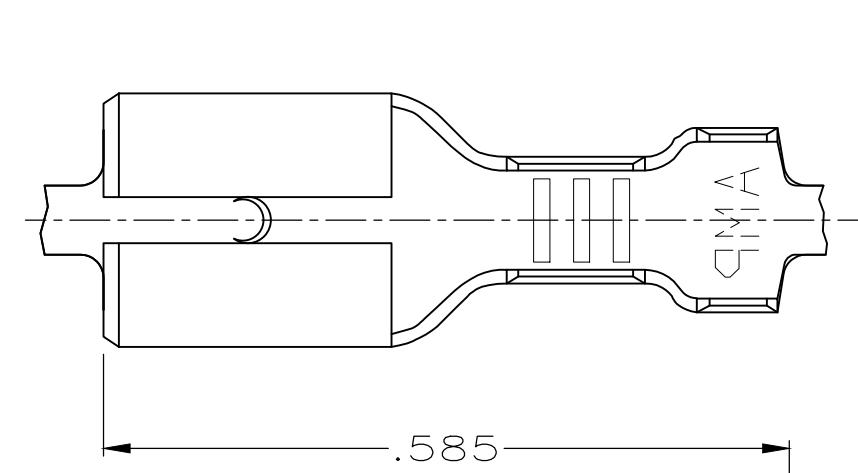


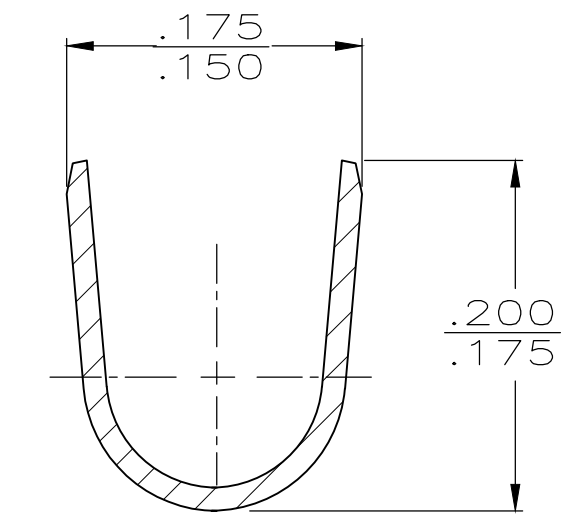
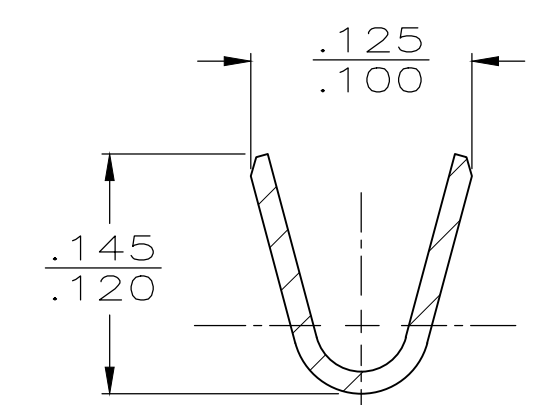
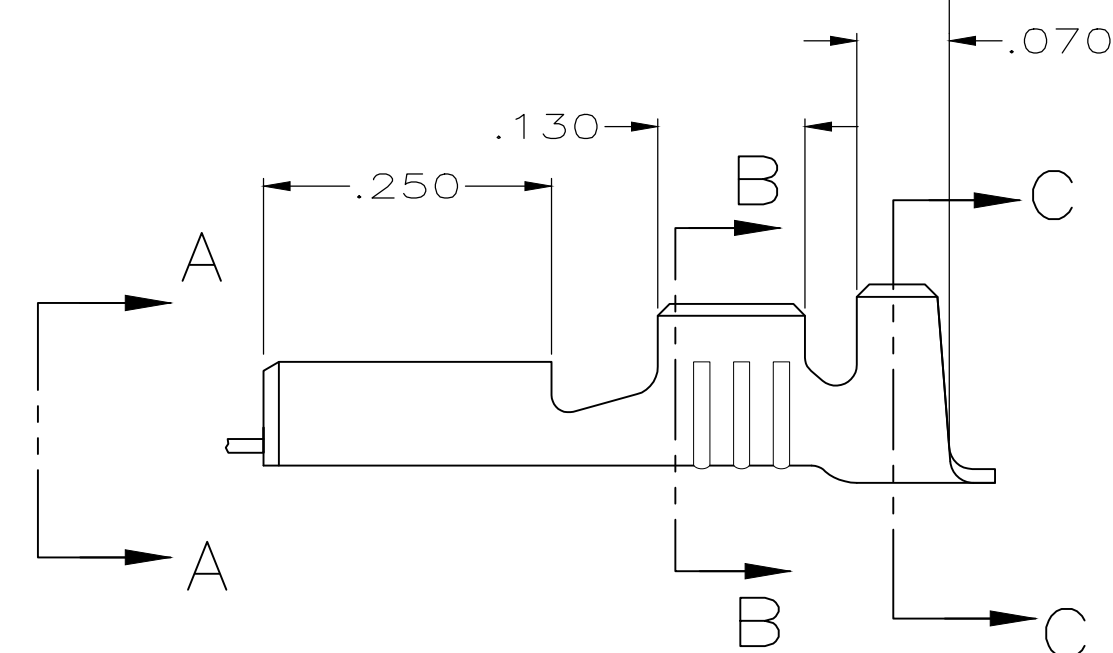
THIS DRAWING IS UNPUBLISHED. RELEASED FOR PUBLICATION
 © COPYRIGHT - By - ALL RIGHTS RESERVED.

LOC	DIST	REVISIONS			
P	LTR	DESCRIPTION	DATE	DWN	APVD
AF	50	Y3	REVISED PER ECR-20-009164	07AUG2020	MK DH

- 1 CONTINUOUS STRIP ON REELS
- 2 MATING TAB THK IS .021-.019
- 3 WIRE SIZE IS #20-#16 AWG
- 4 INSULATION RANGE IS .090-.130 DIA
- △5 60214-3 REFERS TO 60214-1 WITH PAPER INTERLAYER.



GAP AS REQUIRED TO MEET FORCE SPECIFICATIONS AND .018 MAX



-	BRASS	△5 60214-3
TIN	BRASS	60214-2
-	BRASS	60214-1
FINISH	MATERIAL	PART NO.

THIS DRAWING IS A CONTROLLED DOCUMENT.		DWN	JR RUTH	10/27/89
DIMENSIONS: INCHES		CHK	MS FEHER	10/27/89
TOLERANCES UNLESS OTHERWISE SPECIFIED:		APVD	C MEYERS	10/27/89
0 PLC ± -		PRODUCT SPEC		
1 PLC ± -		APPLICATION SPEC		
2 PLC ± -		WEIGHT -		
3 PLC ± .015		SIZE A3		
4 PLC ± -		CAGE CODE 00779		
ANGLES ± -		DRAWING NO C-60214		
MATERIAL SEE TABLE		RESTRICTED TO -		
FINISH SEE TABLE		SCALE 6:1		
		SHEET 1 OF 1		
		REV Y3		

STE TE Connectivity

RECEPTACLE, FASTON, .187 SERIES

CUSTOMER DRAWING

单击下面可查看定价，库存，交付和生命周期等信息

[>>TE Connectivity\(泰科\)](#)