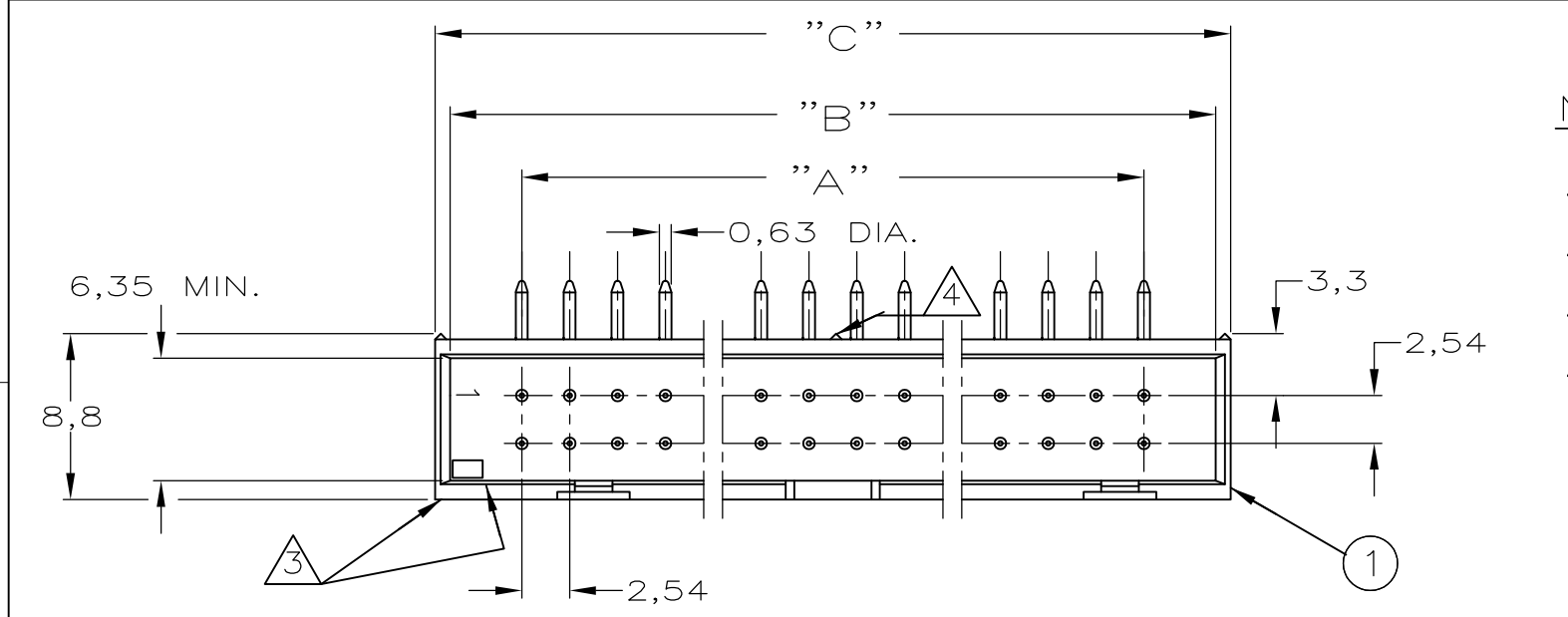
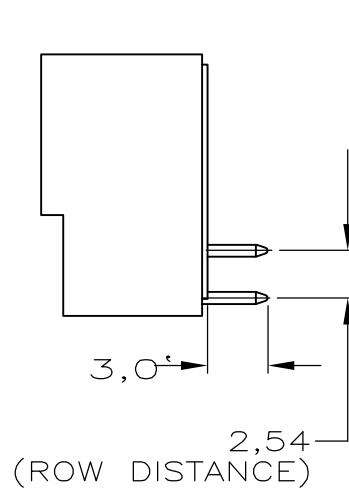
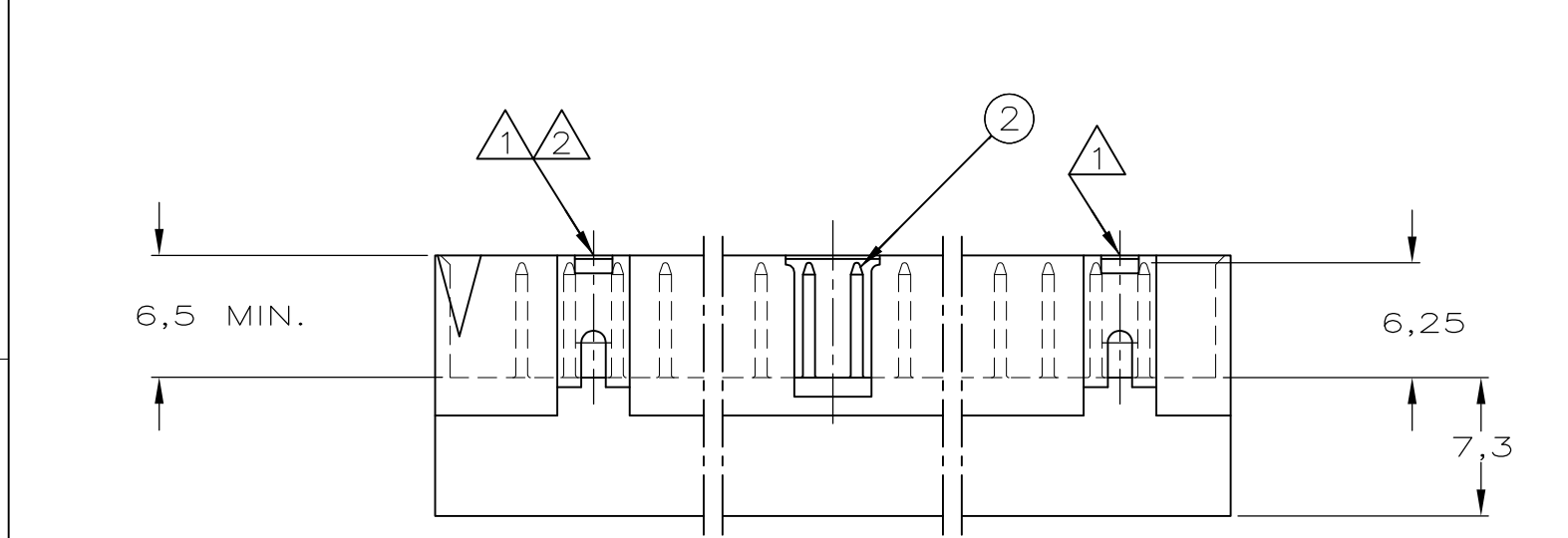


THIS DRAWING IS UNPUBLISHED. RELEASED FOR PUBLICATION
 © COPYRIGHT - By - ALL RIGHTS RESERVED.

METRIC	LOC A1	DIST -	REVISIONS					
			P	LTR	DESCRIPTION	DATE	DWN	APVD
				C2	REVISED PER ECO-11-005150	21MAR11	RK	HMR



- NOTES**
- ① SNAP-IN POLARIZERS PN. 927636-2 OR 927637-2 CAN BE APPLIED.
 - ② THERE IS NO WINDOW FOR SNAP-IN POLARIZERS AT THIS END IN 10 AND 14 POS. HEADERS.
 - ③ INDICATION OF FIRST POSITION.
 - ④ THERE IS NO CENTER STAND-OFF IN 10-26 POS. HEADERS.



RECOMMENDED PCB-HOLE PATTERN

② PIN-CONTACT	BRASS	MATING SIDE: 0,8µm AU OR 0,8µm DURAGOLD ®/ OVER 1,27µm NI SOLDER SIDE: MIN. 3,0µm SN OVER 1,27µm NI
① HOUSING	GLASSFILLED POLYESTER	BLACK

87,9	86,4	78,7	64	6-827746-4
82,9	81,3	73,7	60	6-827746-0
70,2	68,6	61,0	50	5-827746-0
62,5	61,0	53,3	44	4-827746-4
57,5	55,9	48,3	40	4-827746-0
49,8	48,3	40,6	34	3-827746-4
44,8	43,2	35,6	30	3-827746-0
39,7	38,1	30,5	26	2-827746-6
37,1	35,6	27,9	24	2-827746-4
32,1	30,5	22,9	20	2-827746-0
27,0	25,4	17,8	16	1-827746-6
24,4	22,9	15,2	14	1-827746-4
19,4	17,8	10,2	10	1-827746-0
DIM."C"	DIM."B"	DIM."A"	NR. OF POSITIONS	PARTNUMBER

THIS DRAWING IS A CONTROLLED DOCUMENT.

DIMENSIONS: mm	TOLERANCES UNLESS OTHERWISE SPECIFIED:	DWN J.v.LIEMPT	29 NOV 93
	0 PLC ± -	CHK R.VERSTIJNEN.	<p>OBSOLETE TE Connectivity</p> <p>AMP-LATCH HEADER 90DEG VERSION.</p> <p>SHORT END</p> <p>NOT the LATEST REVISION</p>
	1 PLC ± -	APVD L.V.SOEST.	
	2 PLC ± -	PRODUCT SPEC	
	3 PLC ± -	APPLICATION SPEC	
	4 PLC ± -	SIZE A3	CAGE CODE 00779
	4 PLC ANGLES ± -	DRAWING NO C-827746	RESTRICTED TO
MATERIAL	FINISH	WEIGHT	CUSTOMER DRAWING
			SCALE - SHEET 1 OF 1 REV C2

单击下面可查看定价，库存，交付和生命周期等信息

[>>TE Connectivity\(泰科\)](#)