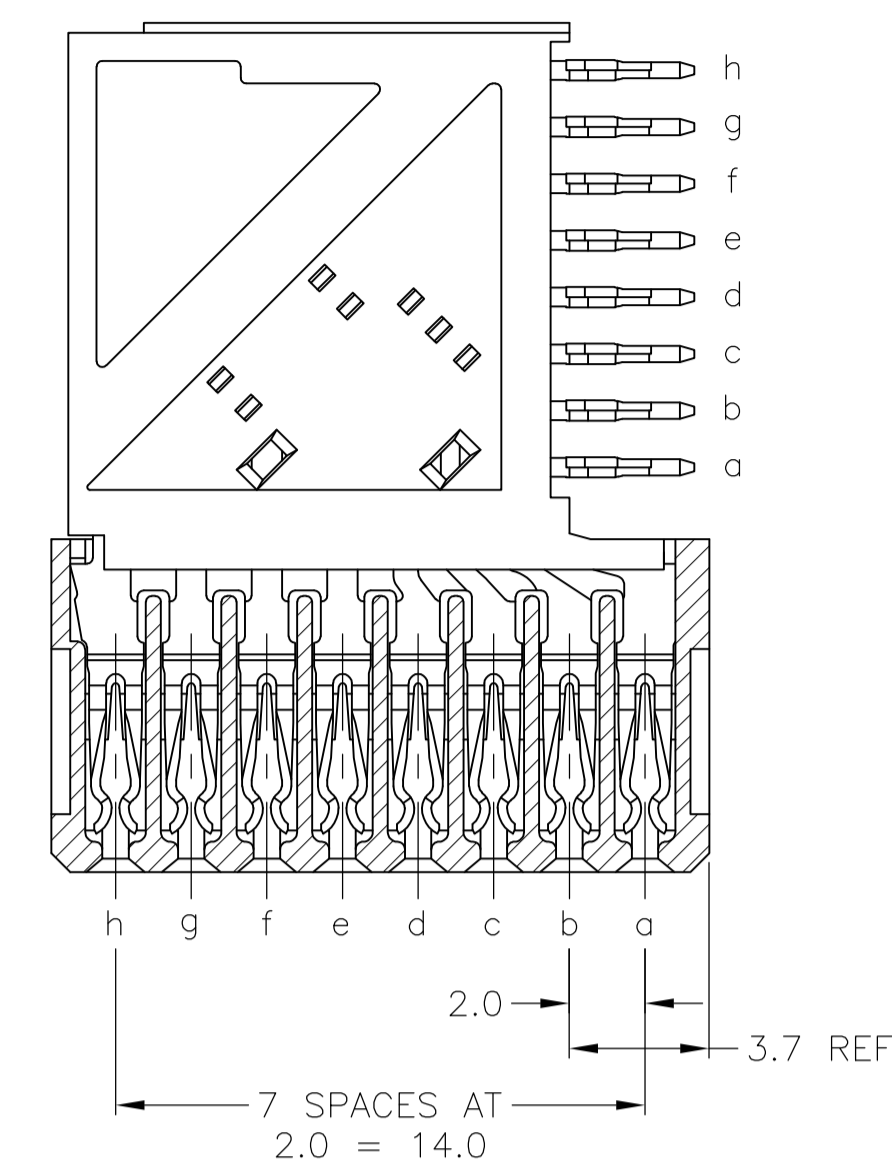
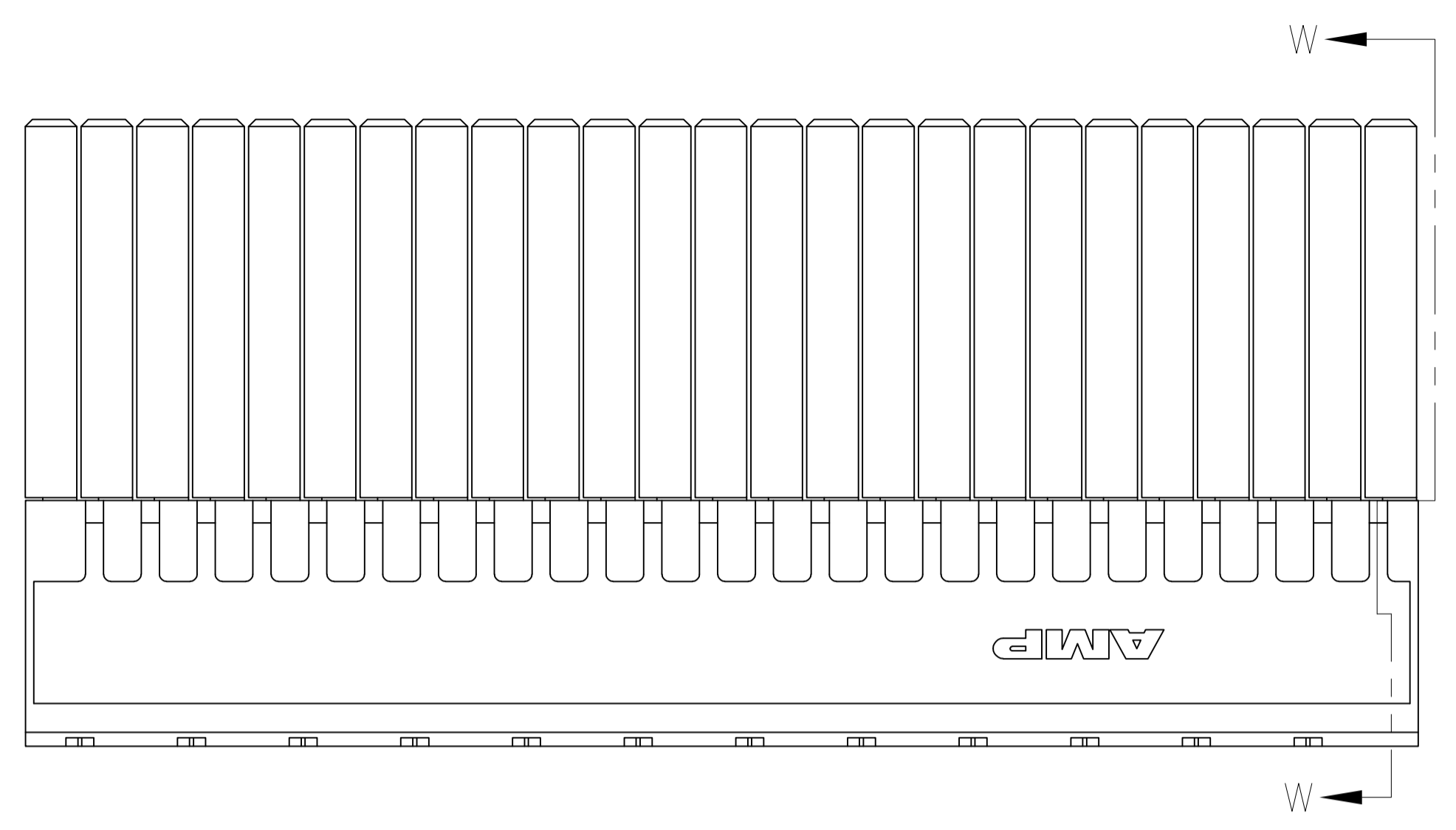
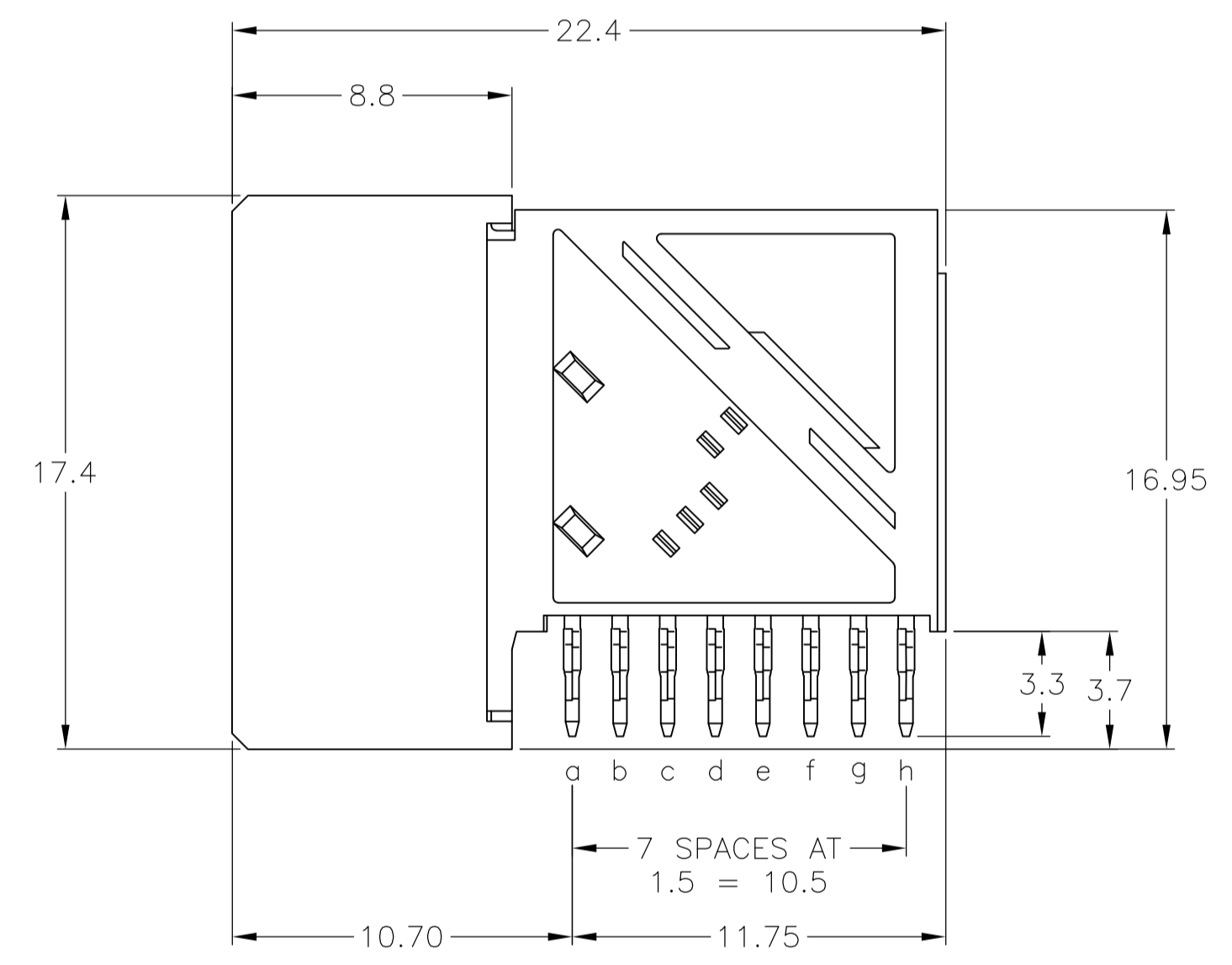
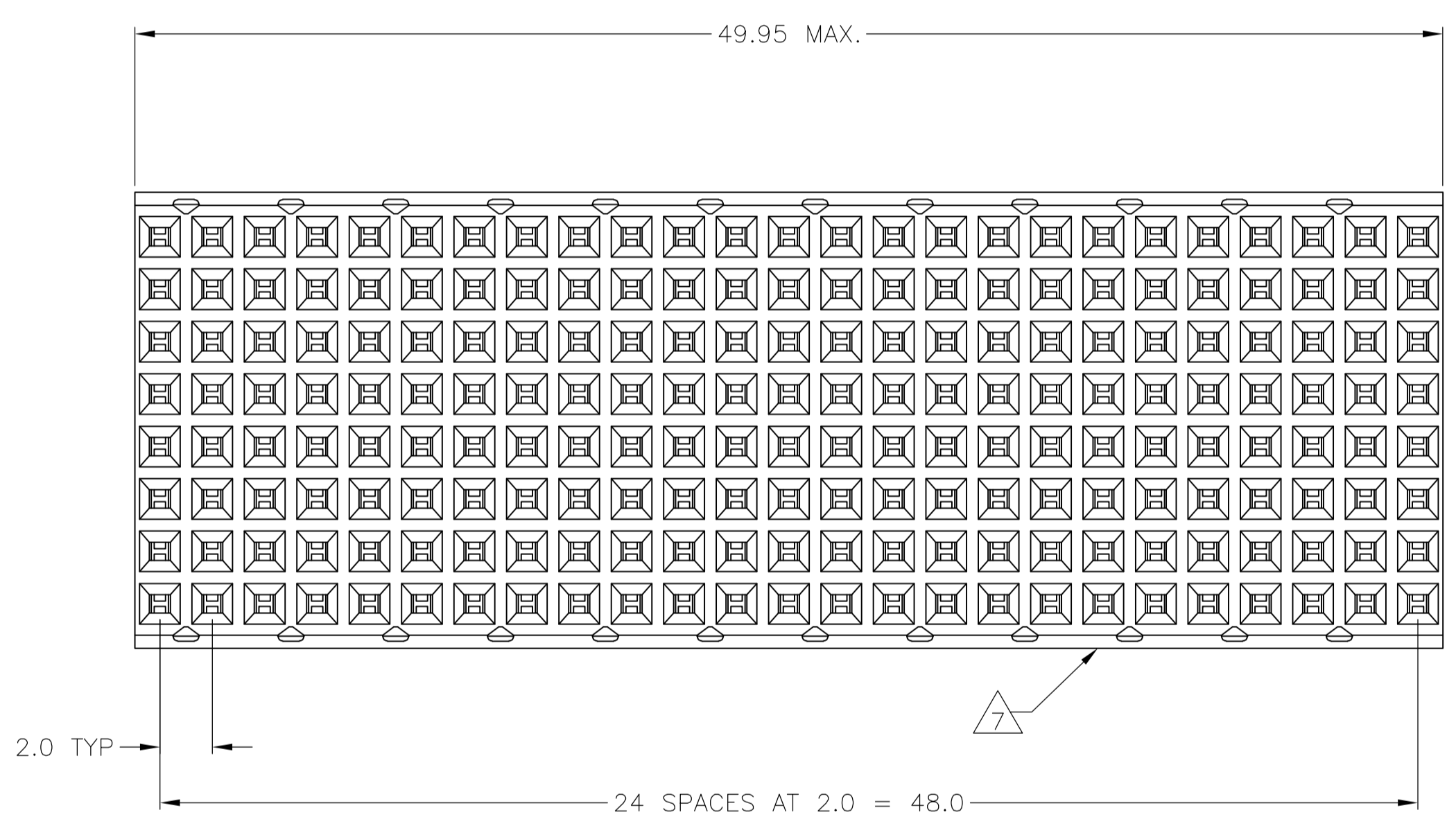


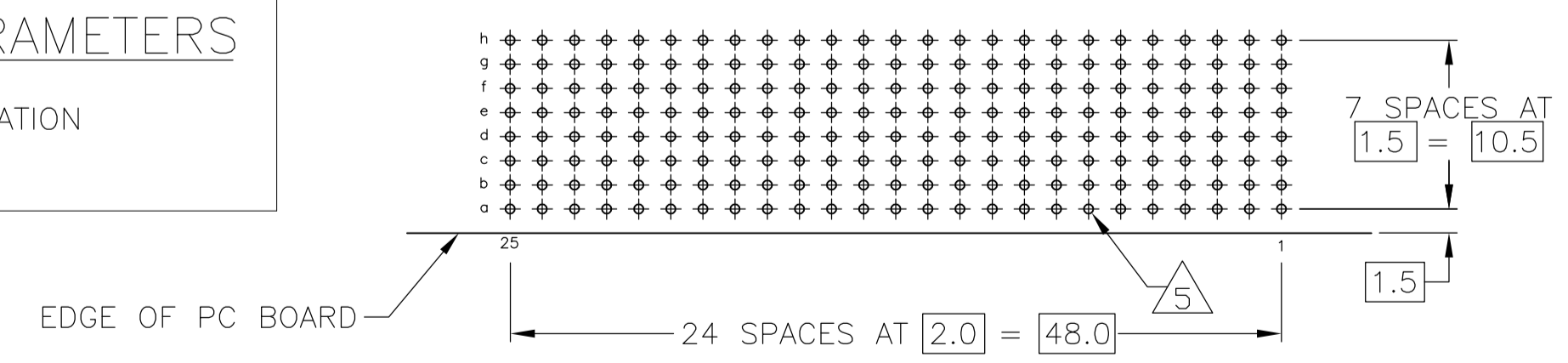
LOC		DIST		REVISIONS			
P	LTR	DESCRIPTION	DATE	DMN	APVD		
E		REVISED PER ECO-12-012363	05JUL2012	SY	AC		



SECTION W-W



PLATED THRU HOLES PARAMETERS
REFERENCE APPLICATION SPECIFICATION



RECOMMENDED PCB-HOLE LAYOUT
COMPONENT SIDE SHOWN
SCALE 2.5:1

- 1 MATERIAL:
CONTACT: PHOSPHOR BRONZE.
HOUSING: GLASS-FILLED POLYESTER.
- 2 GENERAL PLATING SPECIFICATION: UNDERPLATING
(ENTIRE CONTACT): 1.27μm MIN NICKEL AND ACTION
PIN: 0.5μm MIN TIN.
FOR PLATING OF MATING SURFACES SEE APPLICABLE
SPECIFICATION REFERENCE FOR EACH DASH NUMBER.
- 3 CONFORMS TO ALL TESTING ACCORDING TO IEC 61076-4-101
PERFORMANCE LEVEL 2.
- 4 CONNECTOR TESTED AND QUALIFIED AGAINST TELCORDIA GR-1217-CORE QUALITY LEVEL 3,
CENTRAL OFFICE APPLICATIONS.
- 5 PLATED THRU HOLES AT 2x1.5mm GRID. 200 TOTAL HOLES.
- 6 CONTACT AREA LUBRICATED WITH BELLCORE APPROVED LUBRICANT.
TECHNICAL REFERENCE: GR-1217-CORE, ISSUE 1, NOVEMBER 1995.
- 7 CONNECTOR PRINTED WITH PART NUMBER AND DATE CODE THIS SIDE.
ADDITIONAL CHARACTERS OR MARKINGS, AS WELL AS THE
LOCATION OF THE MARKINGS, MAY BE ADDED FOR TRACEABILITY BASED
UPON MANUFACTURERS DISCRETION.
- 8 0.76μm MIN GOLD PLATING AT MATING SURFACE.

2	3	8	3-5646445-0
1	4	6	5646445-9
2	3		5646445-1
FINISH			PART NUMBER

THIS DRAWING IS A CONTROLLED DOCUMENT.

DIMENSIONS: mm	TOLERANCES UNLESS OTHERWISE SPECIFIED:	DIN B. CARBO 08DEC04	APVD G. SKIPPER 08DEC04	NAME	RESTRICTED TO
0-PLC ±	1-PLC ±0.1	2-PLC ±0.05 ±0.2	3-PLC ±	4-PLC ±	5-PLC ±
ANGLES	SEE TABLE	SIZE	CAGE CODE	DRAWING NO	00779
MATERIAL	1	WEIGHT		5646445	
CUSTOMER DRAWING		SCALE	5:1	SHEET	1 OF 1

STE TE Connectivity
RECEPTACLE ASSEMBLY, 200 POSITION, TYPE E,
8 ROW, W/TWISTED TULIP CONTACTS,
Z-PACK 2mm HM

单击下面可查看定价，库存，交付和生命周期等信息

[>>TE Connectivity\(泰科\)](#)