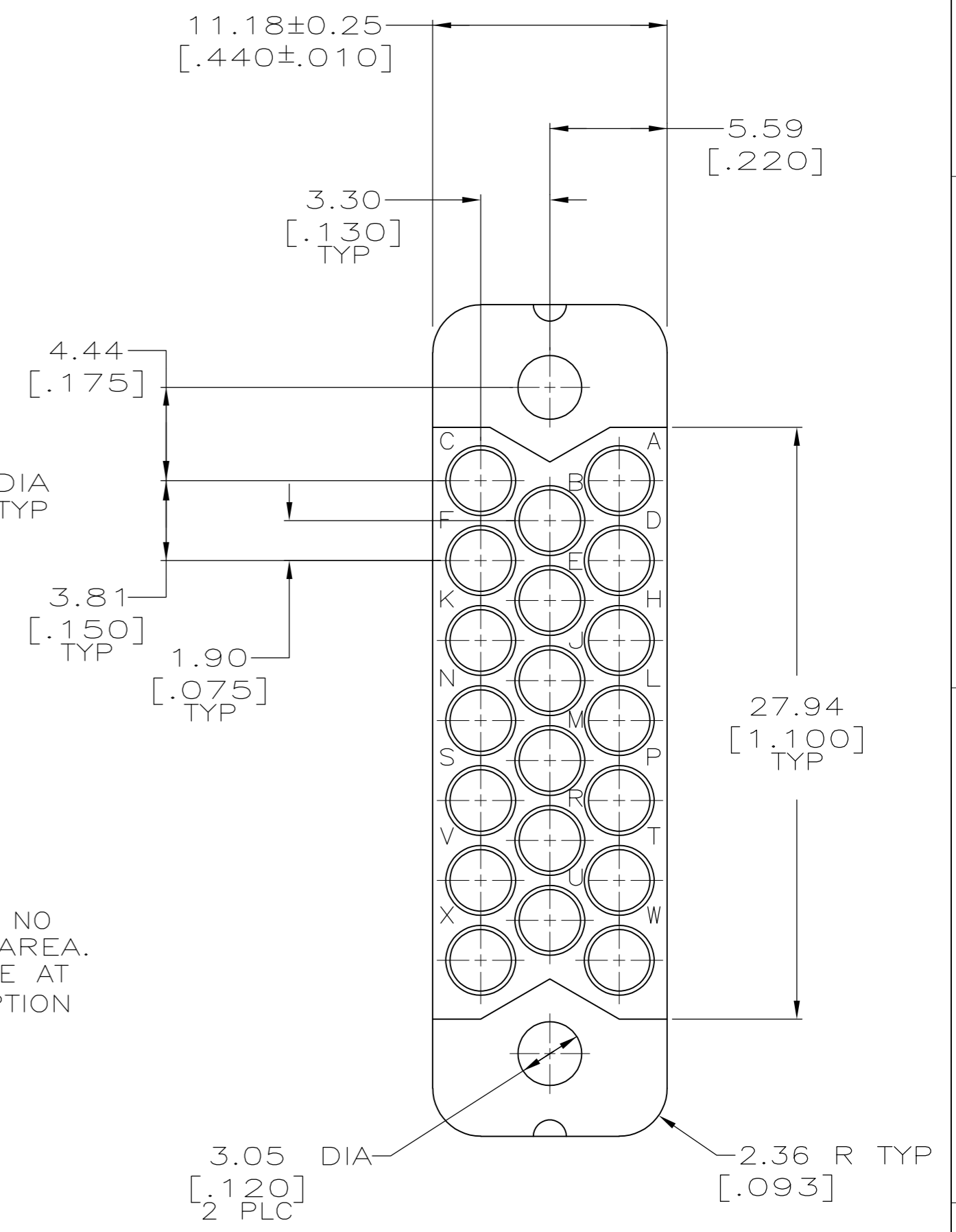
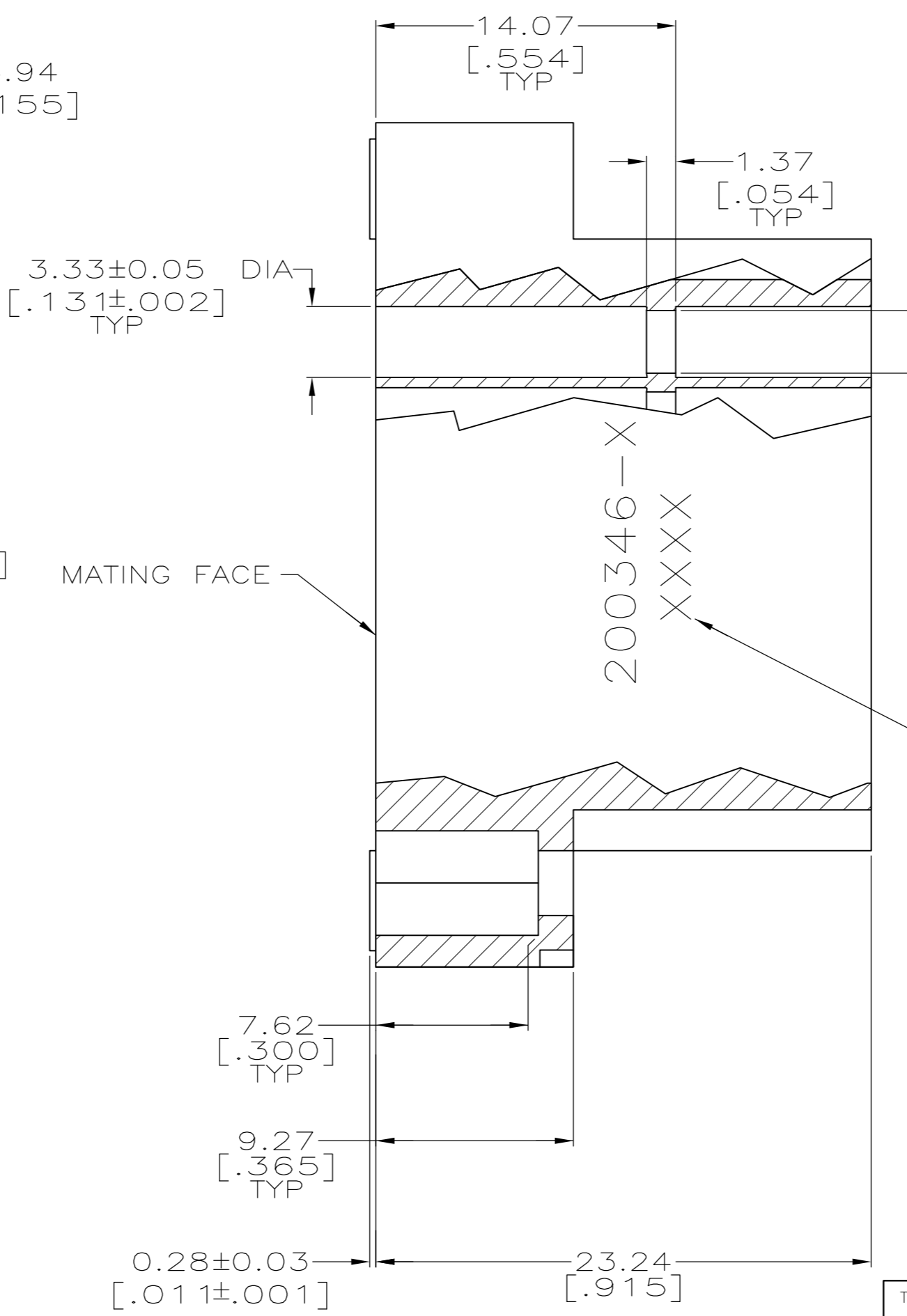
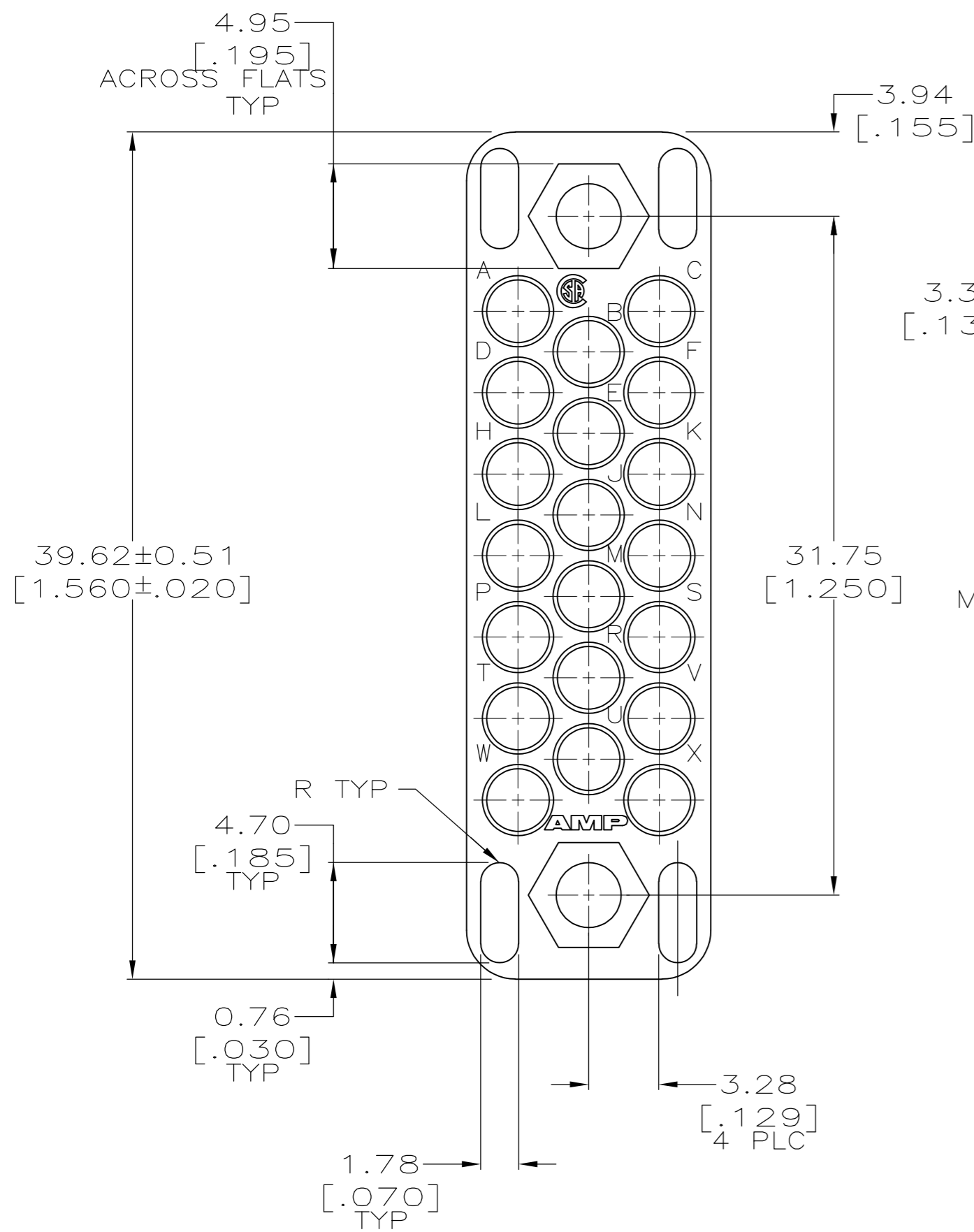
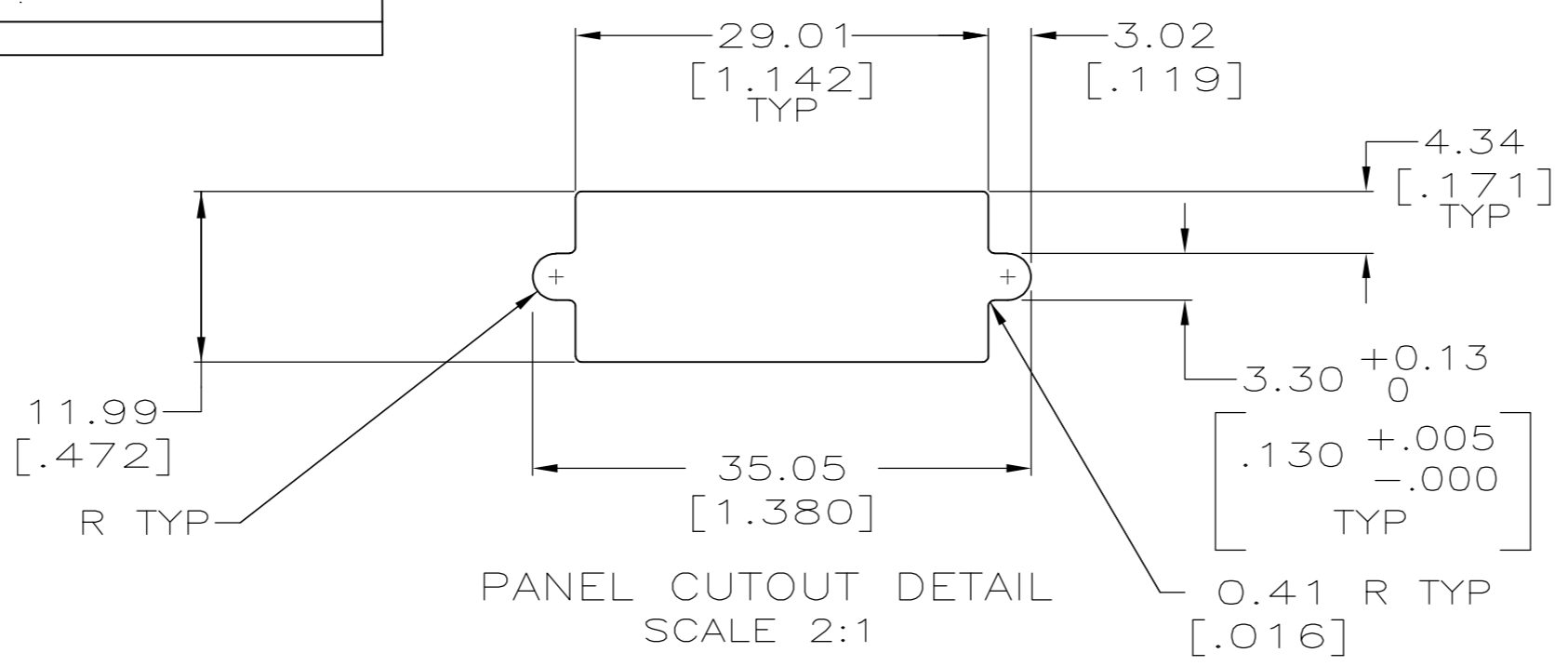


THIS DRAWING IS UNPUBLISHED. RELEASED FOR PUBLICATION
 © COPYRIGHT - By - ALL RIGHTS RESERVED.

REVISIONS					
P	LTR	DESCRIPTION	DATE	DWN	APVD
W1		REVISED PER ECO-16-004000	27SEP2016	NK	MZ



- 1 PHENOLIC PER MIL-M-14, TYPE CFG, BLACK.
- 2 DIALYL PHTHALATE PER MIL-M-14, TYPE SDG-F, BLUE.
- 3. WHEN MATING WITH BLOCK 201356, ACCOMODATES TYPE II, TYPE III+ OR TYPE VI #16 PIN OR SOCKET CONTACTS.

OBSOLETE	2	200346-4
	1	200346-2
MATERIAL		PART NUMBER

THIS DRAWING IS A CONTROLLED DOCUMENT.

DWN	C.REIFSNYDER	06 DEC 95
CHK	R.STONE	27 FEB 96
APVD	G.A.STEINHAUER	13 MAR 96
PRODUCT SPEC		
APPLICATION SPEC		
WEIGHT		
CUSTOMER DRAWING		

TE Connectivity

BLOCK, FEMALE, 20 PLACE
MINIATURE RECTANGULAR,
M SERIES

SIZE	CAGE CODE	DRAWING NO	RESTRICTED TO
A2	00779	C=200346	-
SCALE	SHEET	REV	
4:1	1 OF 1	W1	

单击下面可查看定价，库存，交付和生命周期等信息

[>>TE Connectivity\(泰科\)](#)