

THIS DRAWING IS UNPUBLISHED.

RELEASED FOR PUBLICATION

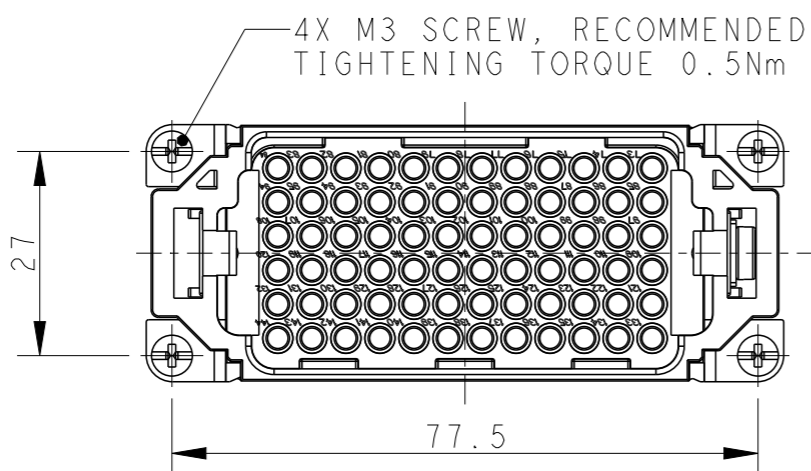
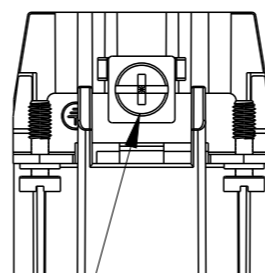
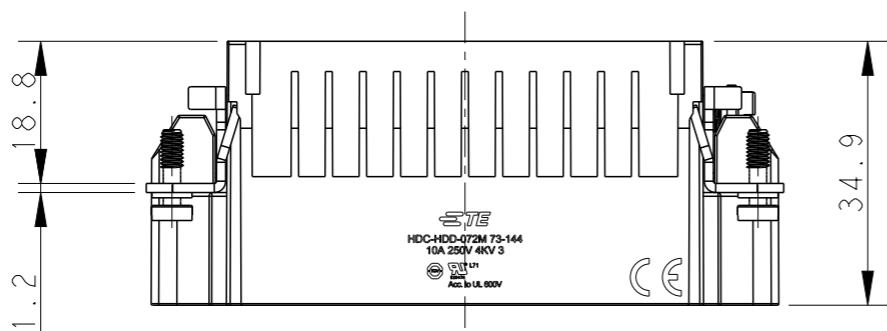
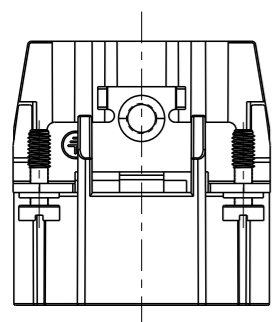
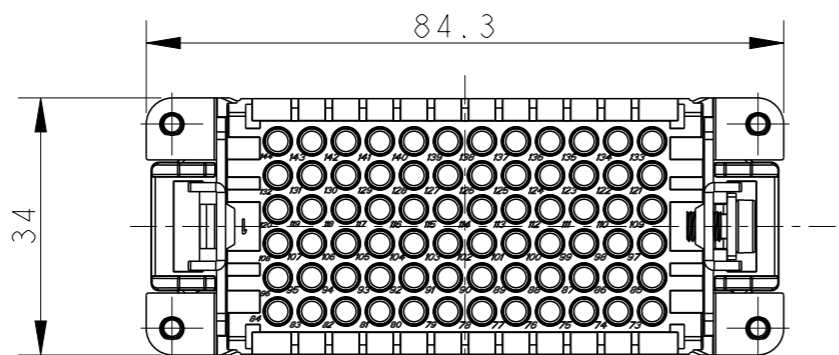
20

© COPYRIGHT 20 BY -

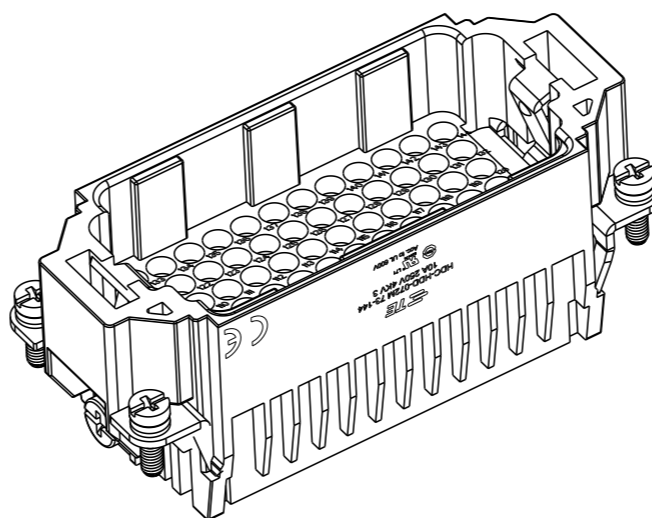
ALL RIGHTS RESERVED.

REVISIONS

P	LTR	DESCRIPTION	DATE	DWN	APVD
	A	INITIAL	08MAY2015	DW	CW
	B	ECR-15-013292	24SEP2015	DL	CW
	C	ECR-21-105887	26JUL2021	BS	CW
	D	ECR-22-150866	20SEP2022	DL	CW



M4 SCREW
RECOMMENDED
TIGHTENING
TORQUE 1.2Nm



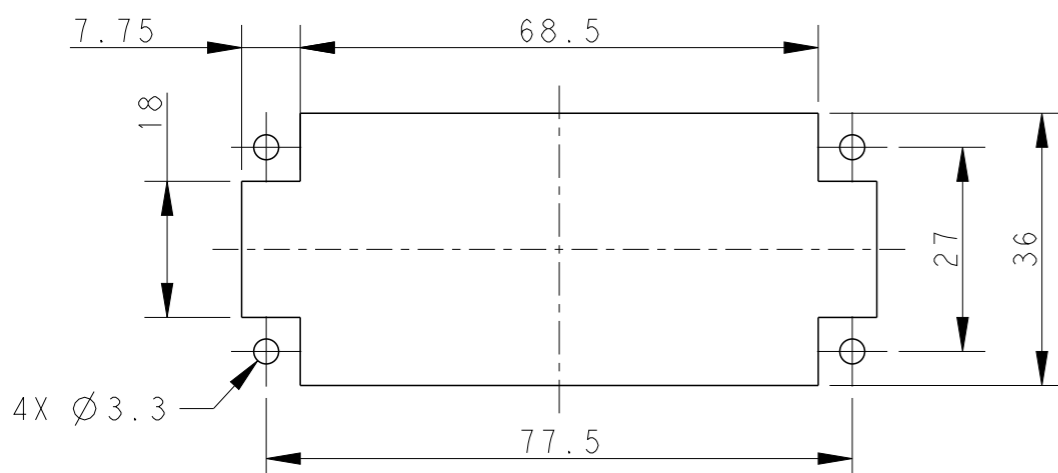
NOTES:

- TECHNICAL CHARACTERISTICS:
INSULATION MATERIAL: PC
RATED VOLTAGE: 250 V
RATED CURRENT: 10 A
INSULATION RESISTANCE: $\geq 400M\Omega$
RATED IMPULSE VOLTAGE: 4 KV
POLLUTION DEGREE: 3
CONTACT RESISTANCE: $\leq 5 m\Omega$
FLAMMABILITY: UL94V-0
MATING CYCLES: 500 CYCLES
WIRE RANGE: 0.14-2.5 mm² (26-14 AWG)
CONTACT TYPE: CRIMP CONTACT
- CONTACT NEED TO BE ORDERED SEPARATELY.
(ORDER No. REFER TO DRAWING: T20200X10XX000)


注释:

- 技术参数:
绝缘材料: PC
额定电压: 250V
额定电流: 10A
绝缘电阻: $\geq 400M\Omega$
额定脉冲电压: 4 KV
污染等级: 3
接触电阻: $\leq 5 m\Omega$
阻燃等级: UL94V-0
插拔次数: 500次
接线范围: 0.14-2.5 mm² (26-14 AWG)
接线类型: 冷压接
- 端子需要单独订购。
(订货号参考图面: T20200X10XX000)

PANEL CUT FOR INSERTS FOR USE
WITHOUT HOODS/ HOUSINGS



HDD-072-M 73-144	T2031442101-000
DESCRIPTION	PART NUMBER

THIS DRAWING IS A CONTROLLED DOCUMENT.		DWN 08MAY2015 David Wang	 TE Connectivity NAME HDD-072-M 73-144			
DIMENSIONS: mm		CHK 08MAY2015 Chris Wang				
TOLERANCES UNLESS OTHERWISE SPECIFIED:		APVD 08MAY2015 Xiang Xu				
0 PLC ±- 1 PLC ±- 2 PLC ±- 3 PLC ±- 4 PLC ±- ANGLES ±-		PRODUCT SPEC 108-137043				
MATERIAL	FINISH	APPLICATION SPEC 114-137043	SIZE	CAGE CODE	DRAWING NO	RESTRICTED TO
-	-	WEIGHT	A3	00779	T2031442101000	-
Customer Drawing			SCALE	SHEET	OF	REV
			1:1	1	1	D

单击下面可查看定价，库存，交付和生命周期等信息

[>>TE Connectivity\(泰科\)](#)