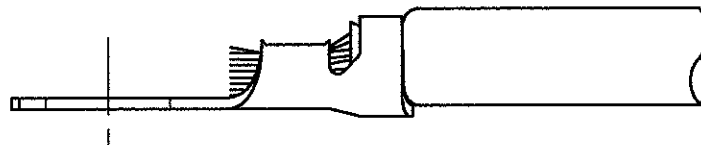
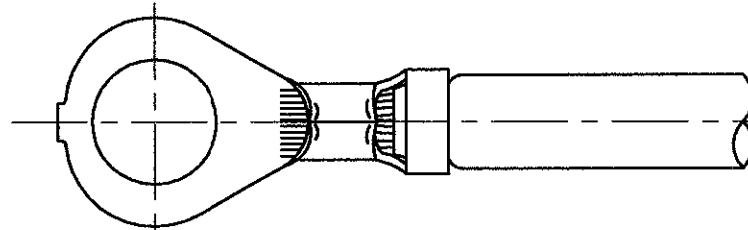
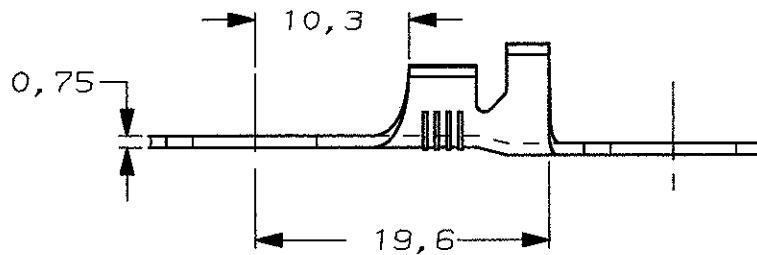
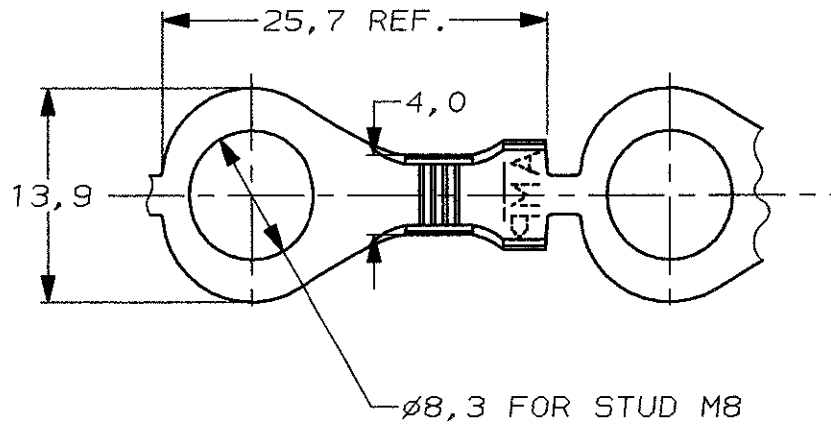
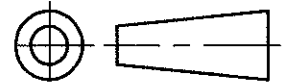


DO NOT SCALE

DIMENSIONS IN mm

METRIC

THIRD ANGLE
PROJECTION



NOTES: 1 FOR USE ON STANDARD AND MINIATURE APPLICATORS
2 REELED WITH PAPER COVER

UNPLATED	PHOSPHOR BRONZE	160921-2
UNPLATED	BRASS	160921-1
FINISH	MATERIAL	PARTNUMBER

CUSTOMER
DRAWING



AMP-HOLLAND B.V.
's-Hertogenbosch, The Netherlands.

FOR REFERENCE ONLY
WILL NOT BE UPDATED

THIS DRAWING IS UNPUBLISHED ~~RELEASED FOR PUBLICATION~~ - , 19-
© COPYRIGHT 1987 BY AMP-HOLLAND B.V.
ALL INTERNATIONAL RIGHTS RESERVED.
AMP PRODUCTS MAY BE COVERED BY U.S. AND FOREIGN PATENTS AND/OR
PATENTS PENDING.

DR. D.CAMPSCHROER	DATE 13.07.87	WIRE RANGE >2,5 - 4,0 mm ²	NAME RINGTONGUE WITH INSULATION SUPPORT	REV. DATE D M Y 04 12 87
CHK. W.ESSER	DATE	INSUL. RANGE 4,0 - 4,5	DWG. No. 160921	REV. LTR. A
APP. L. van SOEST	DATE	SIZE A4	SHEET 1 OF 1	

单击下面可查看定价，库存，交付和生命周期等信息

[>>TE Connectivity\(泰科\)](#)