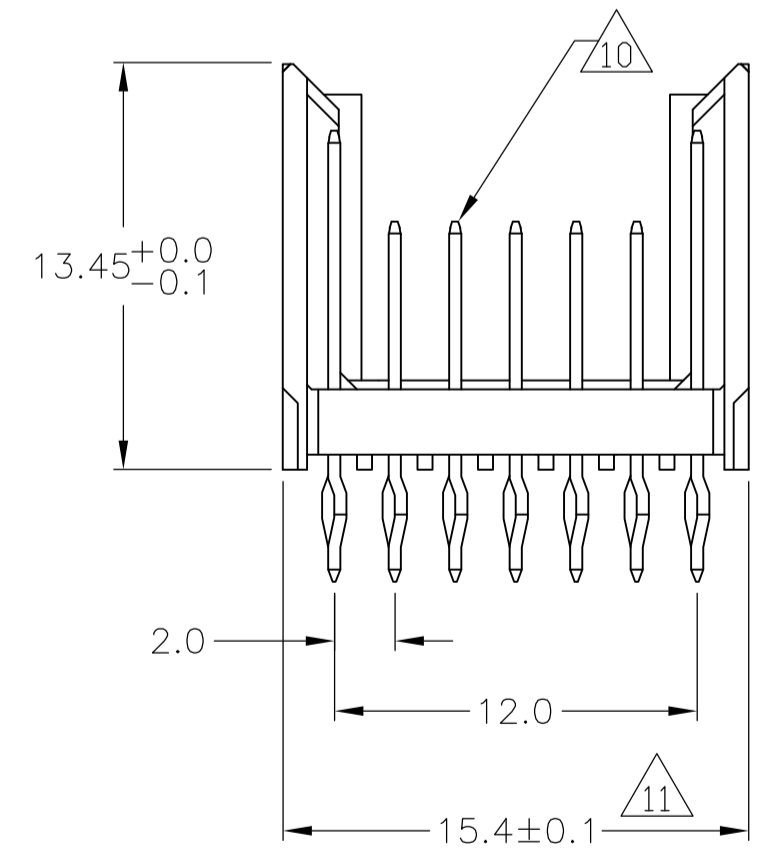
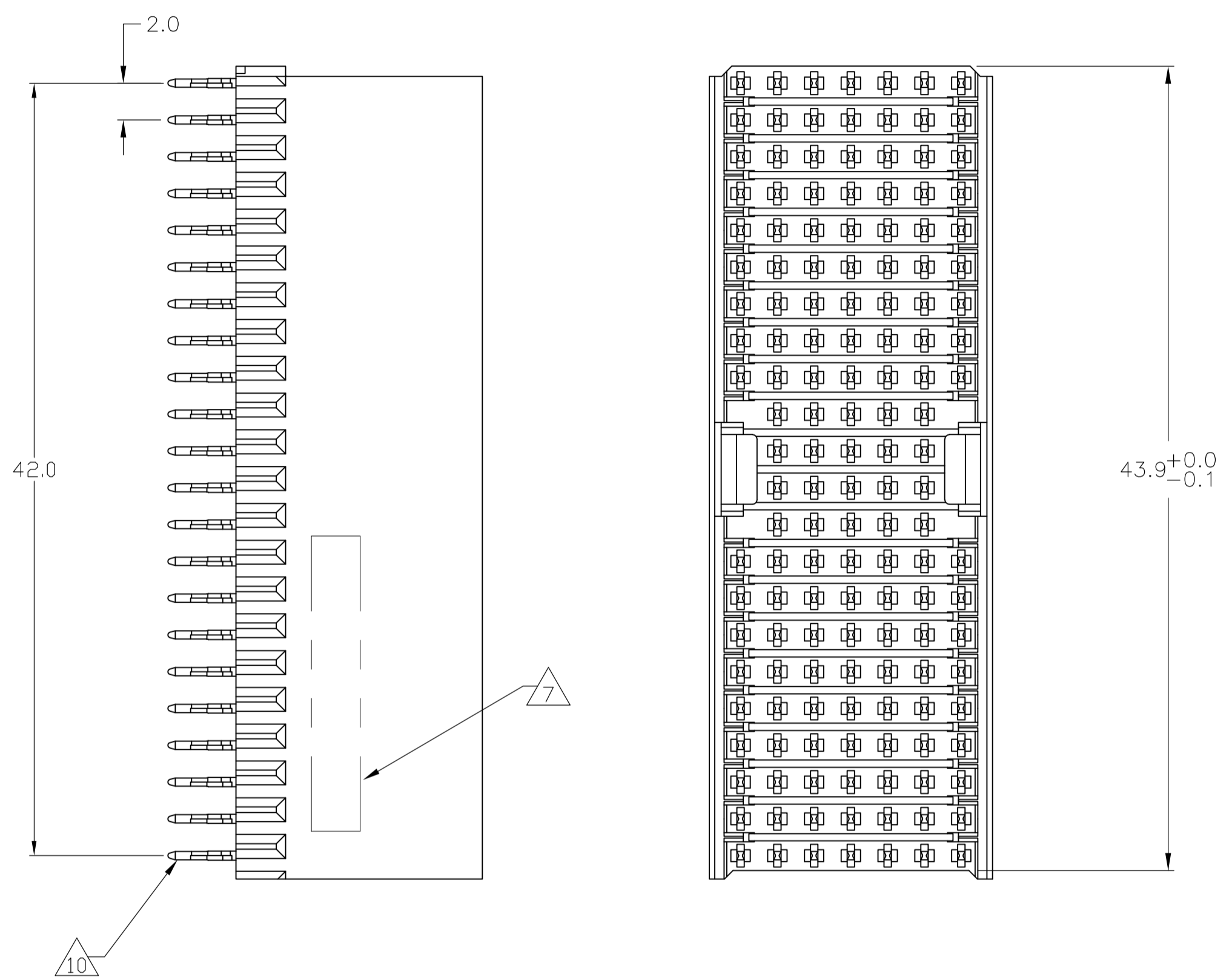
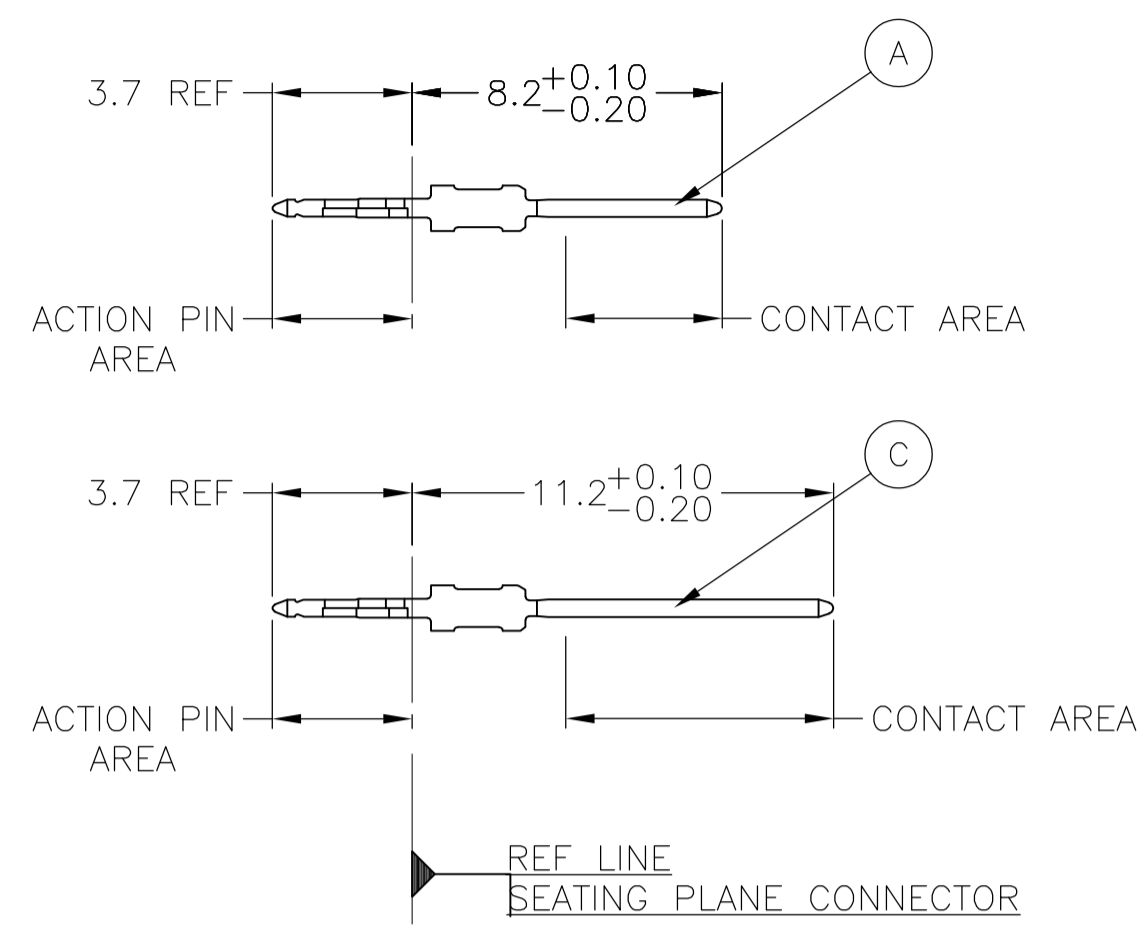


| LOC | | DIST | | REVISIONS | | | |
|-----|----|---------------------------|-----------|-----------|-----|------|--|
| AD | 00 | REV | DATE | BY | CHK | APPV | |
| B1 | | REVISED PER ECR-10-000455 | 07JAN2010 | JY | SY | | |
| C | | ECR-10-019054 | 15SEP10 | SW | MQW | | |
| D | | ECR-12-010652 | 06NOV12 | SY | AC | | |

CONNECTOR ASSEMBLY EXAMPLARY LOADED



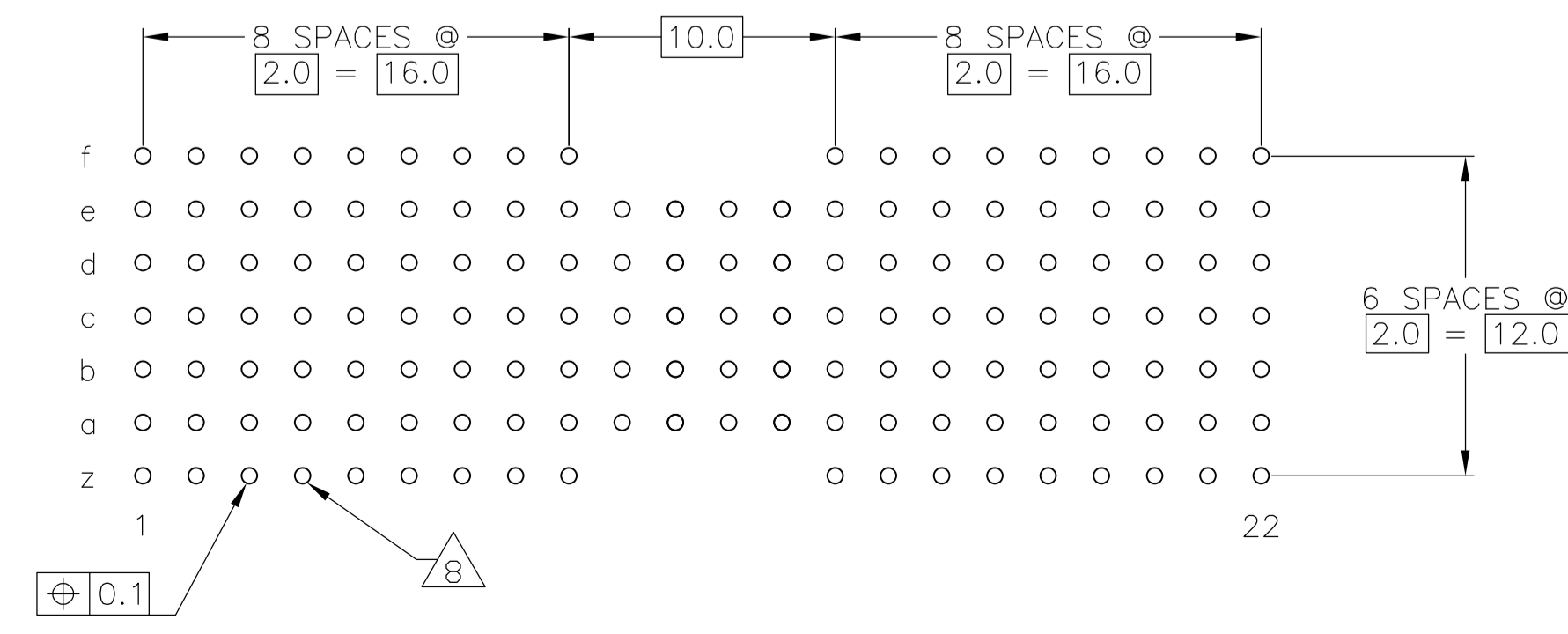
CONTACT DIMENSIONS SCALE 5:1



CONTACT LAYOUT

| | z | a | b | c | d | e | f |
|----|---|---|---|---|---|---|---|
| 1 | C | A | A | A | A | A | C |
| 2 | C | A | A | A | A | A | C |
| 3 | C | A | A | A | A | A | C |
| 4 | C | A | A | A | A | A | C |
| 5 | C | A | A | A | A | A | C |
| 6 | C | A | A | A | A | A | C |
| 7 | C | A | A | A | A | A | C |
| 8 | C | A | A | A | A | A | C |
| 9 | C | A | A | A | A | A | C |
| 10 | | A | A | A | A | A | |
| 11 | | A | A | A | A | A | |
| 12 | | A | A | A | A | A | |
| 13 | | A | A | A | A | A | |
| 14 | C | A | A | A | A | A | C |
| 15 | C | A | A | A | A | A | C |
| 16 | C | A | A | A | A | A | C |
| 17 | C | A | A | A | A | A | C |
| 18 | C | A | A | A | A | A | C |
| 19 | C | A | A | A | A | A | C |
| 20 | C | A | A | A | A | A | C |
| 21 | C | A | A | A | A | A | C |
| 22 | C | A | A | A | A | A | C |

RECOMMENDED PCB-HOLE LAYOUT COMPONENT SIDE SHOWN



PLATED THRU HOLES PARAMETERS REFERENCE APPLICATION SPECIFICATION

| | | | |
|----------|---|-------------|------------|
| 2 | 3 | 13 | 3-646533-0 |
| 2 | 6 | 12 | 1-646533-9 |
| 2 | 5 | 12 | 646533-9 |
| 2 | 4 | | 646533-4 |
| 2 | 3 | | 646533-1 |
| OBSOLETE | | | |
| FINISH | | PART NUMBER | |

THIS DRAWING IS A CONTROLLED DOCUMENT.

| | | | | |
|------------------|--|------------------------|--------------|--|
| DIMENSIONS: mm | TOLERANCES UNLESS OTHERWISE SPECIFIED: | DIN B CARBO 29JUL05 | 29JUL05 | Tyco Electronics Corporation Harrisburg, Pa 17105-3608 |
| 0-PLC ± | 1-PLC ±0.1 | CHK G SKIPPER 29JUL05 | 29JUL05 | NAME MALE ASSEMBLY, Z-PACK 2mm HM, TYPE A/B |
| 2-PLC ± | 3-PLC ± | APPV G SKIPPER 29JUL05 | 29JUL05 | APPLICATION SPEC 108-19082 |
| 4-PLC ± | ANGLES ± | | | SIZE 114-19029 |
| MATERIAL 1 | FINISH SEE TABLE | WEIGHT | A1 00779 | RESTRICTED TO |
| CUSTOMER DRAWING | | SCALE 4:1 | SHEET 1 OF 2 | REV D |

| LOC | DIST | REVISIONS | | | |
|-----|------|-------------|------|-----|------|
| IF | LTR | DESCRIPTION | DATE | DRN | APPO |
| AD | 00 | SEE SHEET 1 | - | - | - |

- 1 MATERIAL:
CONTACT: PHOSPHOR BRONZE.
HOUSING: GLASS-FILLED POLYESTER.
- 2 GENERAL PLATING SPECIFICATION: UNDERPLATING
(ENTIRE CONTACT): 1.27µm MIN NICKEL AND ACTION
PIN: 0.5µm MIN TIN/LEAD.
FOR PLATING OF MATING SURFACES SEE APPLICABLE
SPECIFICATION REFERENCE FOR EACH DASH NUMBER.
- 3 CONFORMS TO ALL TESTING ACCORDING TO IEC 61076-4-101
PERFORMANCE LEVEL 2.
- 4 CONFORMS TO ALL TESTING ACCORDING TO IEC 61076-4-101
PERFORMANCE LEVEL 1.
- 5 CONNECTOR TESTED AND QUALIFIED AGAINST TELCORDIA GR-1217-CORE QUALITY LEVEL 3,
CENTRAL OFFICE APPLICATIONS.
- 6 CONNECTOR TESTED AND QUALIFIED AGAINST TELCORDIA GR-1217-CORE QUALITY LEVEL 3,
UNCONTROLLED ENVIROMENT APPLICATIONS.
- 7 CONNECTOR MARKED WITH PART NUMBER AND DATE CODE.
ADDITIONAL CHARACTERS OR MARKINGS, AS WELL AS THE LOCATION OF THE MARKINGS,
MAY BE ADDED FOR TRACEABILITY BASED UPON MANUFACTURERS DISCRETION.
- 8 PLATED-THROUGH HOLES AT 2x2mm SQUARE GRID
PATTERN DEFINED BY CONTACT LAYOUT.
- 9 FOR ACTUAL PIN LOADING SEE "CONTACT LAYOUT".
- 10 FOR ACTUAL PIN DIMENSIONS SEE "CONTACT DIMENSIONS".
- 11 TO BE MEASURED AT BOTTOM OF SHROUD.
- 12 CONNECTOR LUBRICATED WITH BELCORE APPROVED LUBRICANT,
TECHNICAL REFERENCE: TR-NWT-001217 ISSUE 1, SEP 1992.
- 13 0.76µm MIN GOLD PLATING AT MATING SURFACES.

| | | | | |
|--|--|-------------------------------|---|--------------------------------------|
| THIS DRAWING IS A CONTROLLED DOCUMENT. | | DRN B. CARBO 29JUL05 | Tyco Electronics Corporation Tyco Electronics Corporation Harrisburg, Pa 17105-3608 | |
| DIMENSIONS: mm | | CHK G. SKIPPER 29JUL05 | NAME G. SKIPPER 29JUL05 | |
| TOLERANCES UNLESS OTHERWISE SPECIFIED: 0-PLG ± 1-PLG ±0.1 2-PLG ± 3-PLG ± 4-PLG ± ANGLES ± | | PRODUCT SPEC 108-19082 | MALE ASSEMBLY, Z-PACK 2mm HM, TYPE A/B | |
| MATERIAL SEE SHEET 1 | | APPLICATION SPEC 114-19029 | SIZE A1 | CAGE CODE DRAWING NO 00779 646533 |
| FINISH SEE SHEET 1 | | WEIGHT - | RESTRICTED TO - | CUSTOMER DRAWING |
| | | SCALE 4:1 | SHEET 2 OF 2 | REV D |

单击下面可查看定价，库存，交付和生命周期等信息

[>>TE Connectivity\(泰科\)](#)