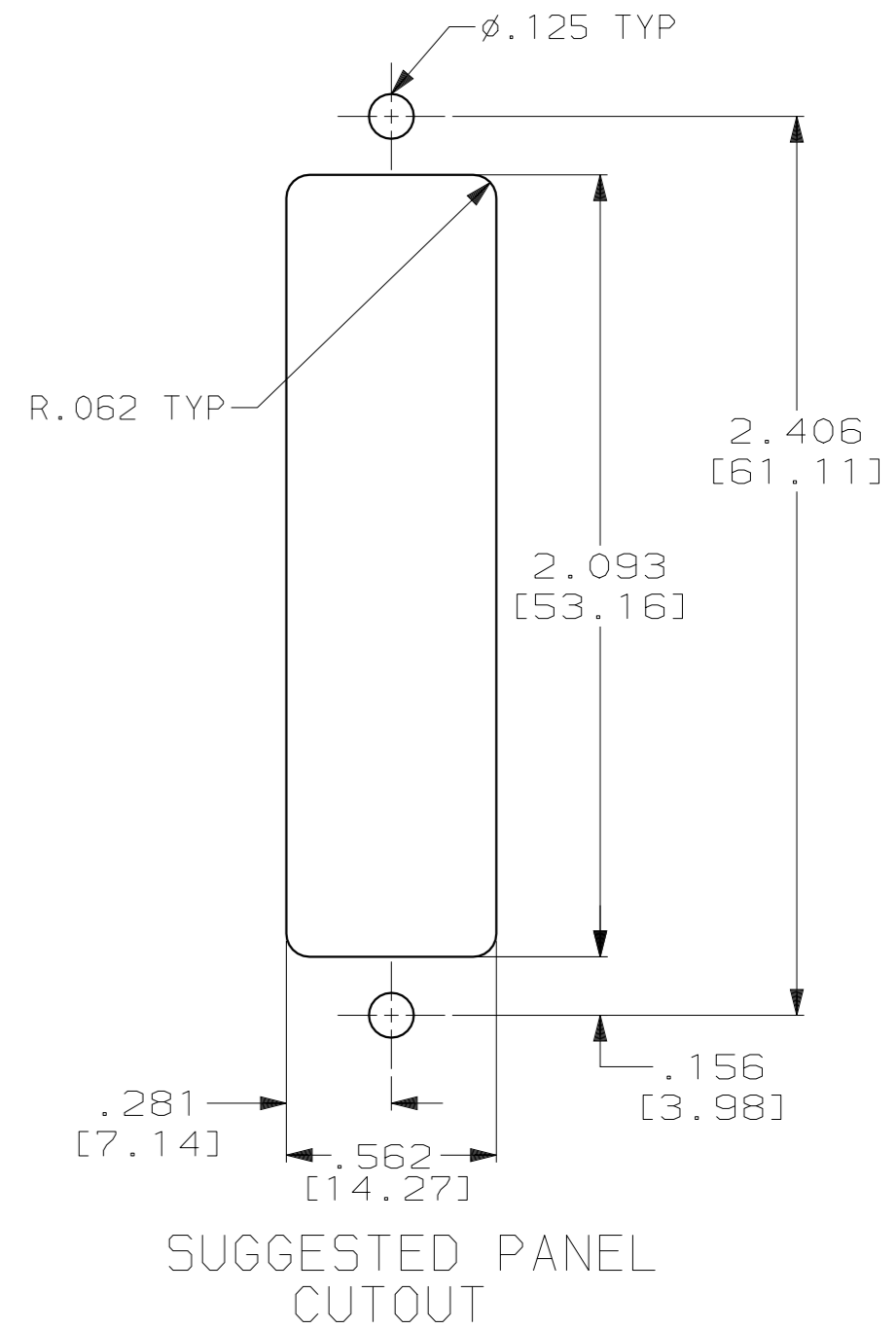
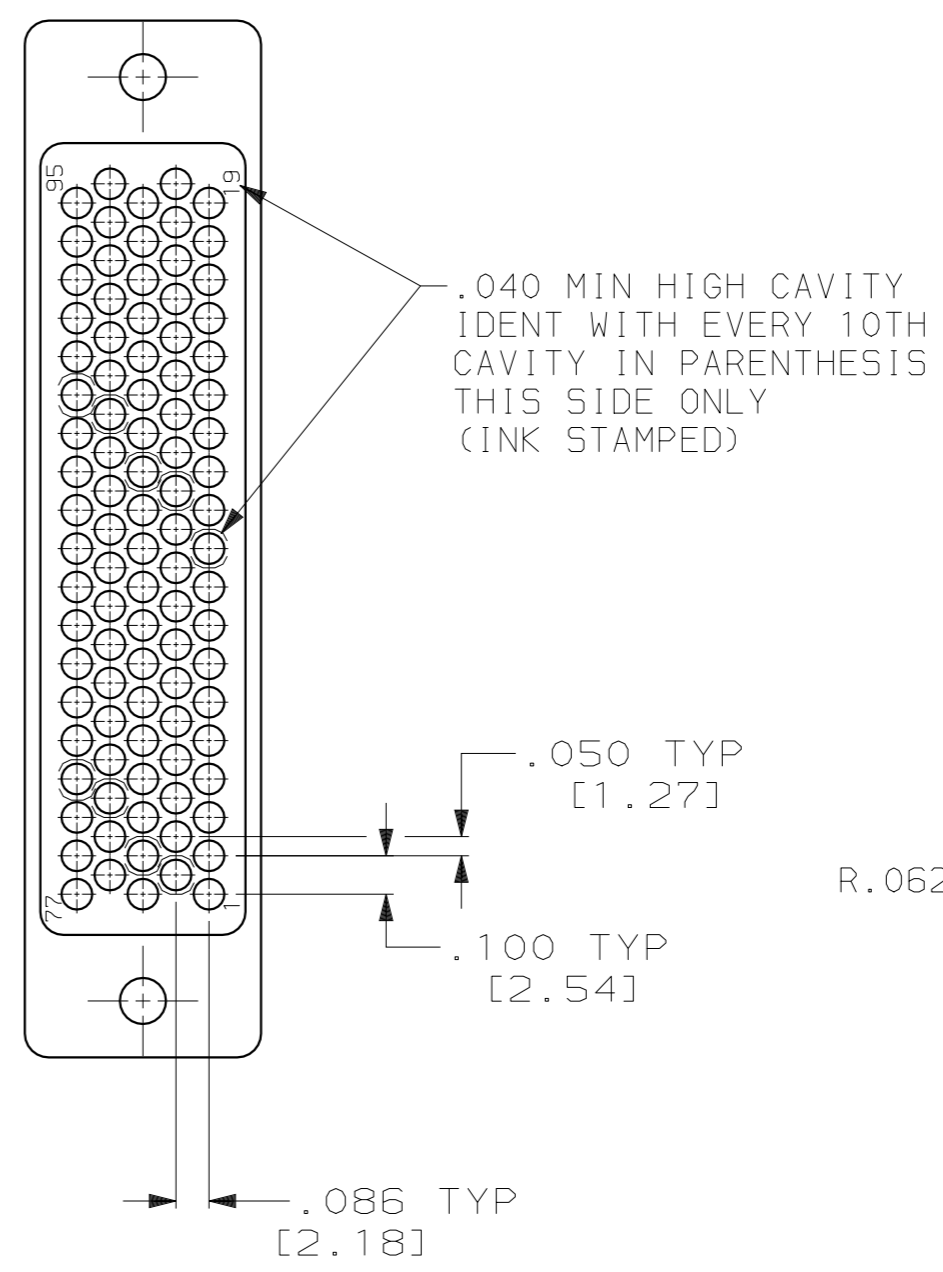
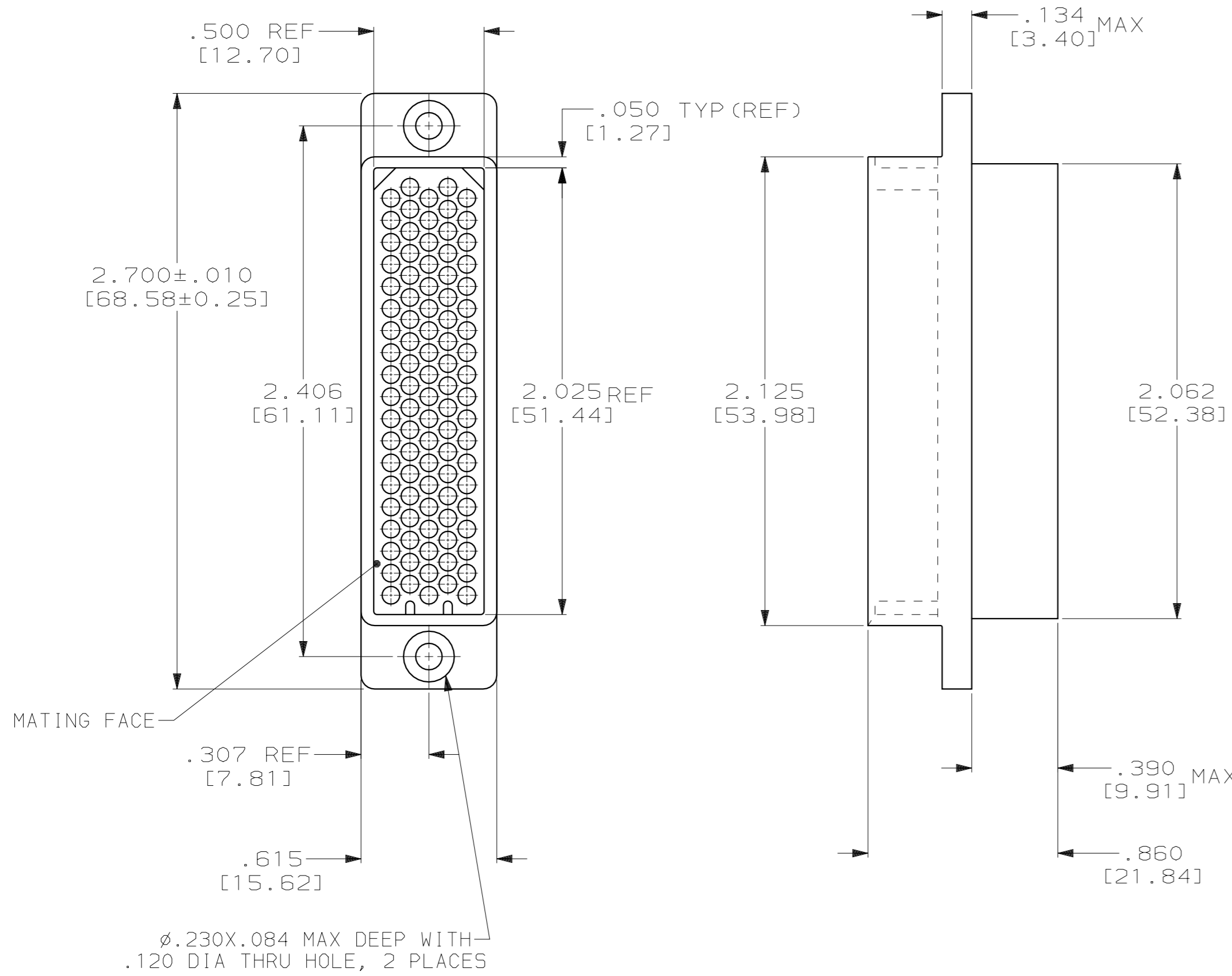


THIS DRAWING IS UNPUBLISHED. RELEASED FOR PUBLICATION
 BY AMP INCORPORATED. ALL RIGHTS RESERVED.

LOC	DIST	REVISIONS					
DF	CO	P	LTR	DESCRIPTION	DATE	DWN	APVD
		0		DRAW PER DR, 6-129F	11-12-96	JB	DM



- 1. WILL ACCEPT AMP TYPE XI PIN OR SOCKET CONTACTS.
- 2. DIALLYL PHTHALATE (BLUE) PER MIL-M-14 TYPE SDG.

204027-2 AS SHOWN

THIS DRAWING IS A CONTROLLED DOCUMENT.		DWN	J. A. Baker	11-12-96	AMP Incorporated Harrisburg, PA 17105-3608							
DIMENSIONS: IN (MM)		CHK	D. MUMMEY	11-12-96								
TOLERANCES UNLESS OTHERWISE SPECIFIED:		APVD	D. MUMMEY	11-12-96								
0 PLC ±- 1 PLC ±- 2 PLC ±- 3 PLC ±.005 [0.13] 4 PLC ±- ANGLES ±-		PRODUCT SPEC	RECEPTACLE BLOCK, 95 POSITION ("HDR" SERIES)									
MATERIAL	FINISH -	APPLICATION SPEC	-		SIZE	A2	CAGE CODE	00779	DRAWING NO	C-204027	RESTRICTED TO	-
CUSTOMER DRAWING		WEIGHT	-		SCALE	2:1	SHEET	1	OF	1	REV	0

单击下面可查看定价，库存，交付和生命周期等信息

[>>TE Connectivity\(泰科\)](#)