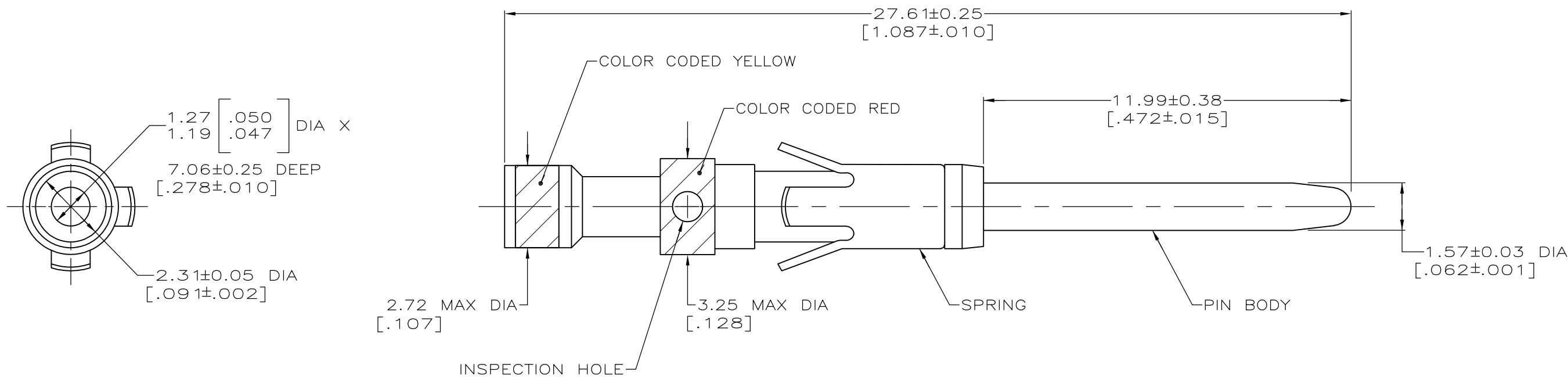


THIS DRAWING IS UNPUBLISHED. RELEASED FOR PUBLICATION
 © COPYRIGHT - By - ALL RIGHTS RESERVED.

LOC	DIST	REVISIONS					
BD	39	P	LTR	DESCRIPTION	DATE	DWN	APVD
			W2	REVISED PER ECO-13-009250	27JUN13	KH	MZ



△	OBSOLETE	SMALL PACK	201330-7
△	OBSOLETE	TAPE MTG (SEE DETAIL)	201330-6
		STANDARD	201330-1
		PACKAGING TYPE	PART NO

- △ 0.76µm [.000030] MIN GOLD OVER 1.27µm [.000050] MIN NICKEL.
- △ OBSOLETE PARTS: OBSOLETE CIS STREAMLINING PER D.RENAUD/D.SINISI

THIS DRAWING IS A CONTROLLED DOCUMENT.		DWN	D.GELTZ	04/06/93	STE TE Connectivity		
DIMENSIONS: mm [INCHES]		CHK	R.STONE	4-26-93			
TOLERANCES UNLESS OTHERWISE SPECIFIED:		APVD	R.S.KLINE	4-29-93	NAME		
0 PLC ± -		PRODUCT SPEC		CONTACT ASSEMBLY, PIN, 16, 20-24 AWG, TYPE II			
1 PLC ± -		APPLICATION SPEC		SIZE			RESTRICTED TO
2 PLC ± -		WEIGHT		CAGE CODE			A3 00779
3 PLC ± -		CUSTOMER DRAWING		DRAWING NO			
4 PLC ± -		SCALE		SHEET			1 OF 1
ANGLES ± -		10:1		REV			
FINISH		PIN BODY: △		SCALE			W2
MATERIAL		RESTRICTED TO		SHEET			
PIN BODY: COPPER ALLOY		—		1 OF 1			
SPRING: STAINLESS STEEL		—		REV			

单击下面可查看定价，库存，交付和生命周期等信息

[>>TE Connectivity\(泰科\)](#)