

4

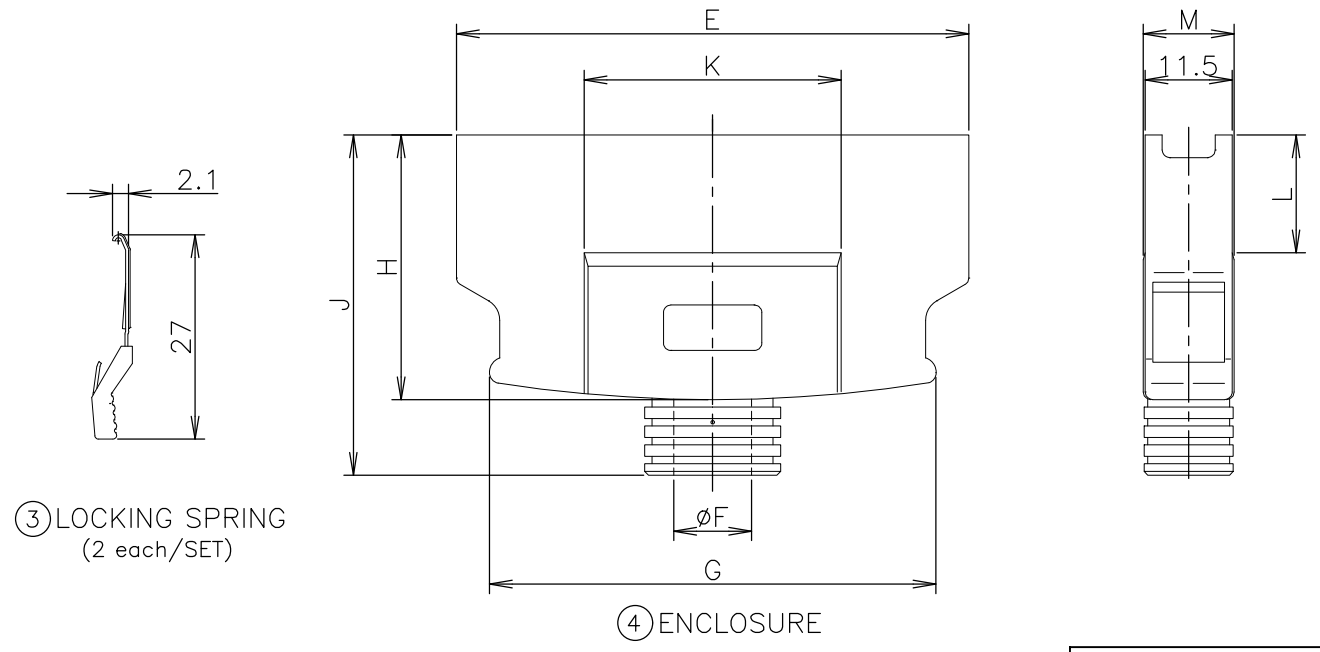
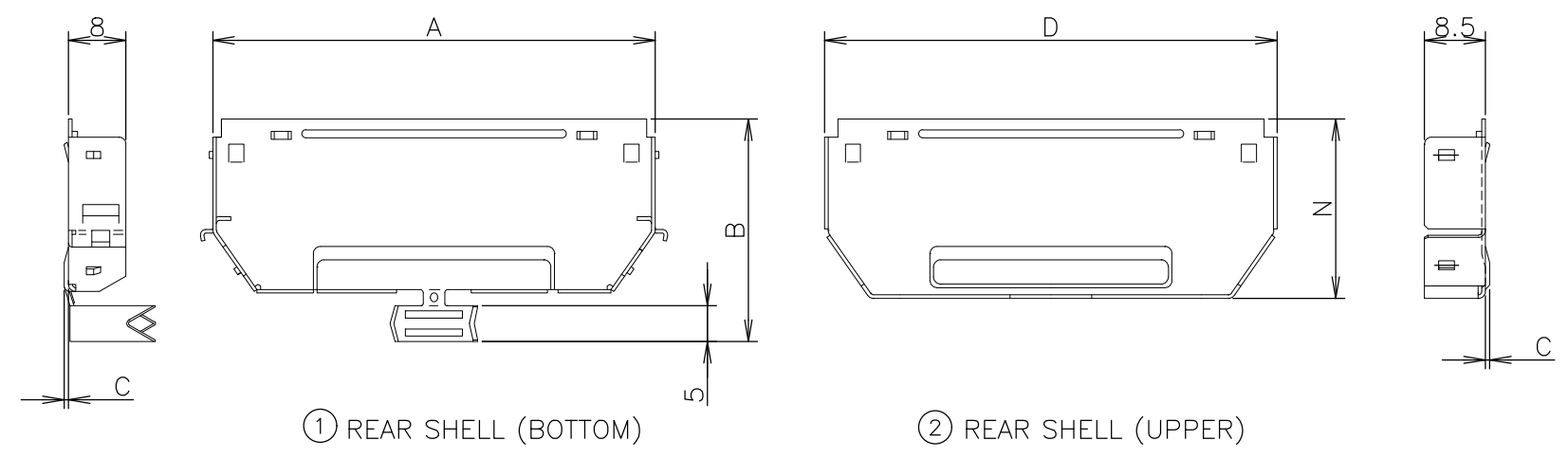
3

2

1

THIS DRAWING IS UNPUBLISHED. RELEASED FOR PUBLICATION .OCT 2000
 © COPYRIGHT 2000 By - ALL RIGHTS RESERVED.

LOC	DIST	REVISIONS			
P	LTR	DESCRIPTION	DATE	DWN	APVD
J		REVISED PER ECO-20-000695	27JAN2020	VM	SH



ITEM	MATERIAL	FINISH
①②	STEEL t=0.5	NICKEL PL. OVER COPPER PL.
③	STAINLESS STEEL	
	THERMOPLASTIC UL94V-0	
④	G.F THERMOPLASTIC UL94V-0	COLOR:SEE ANOTHER TABLE

OBSOLETE		80	3	176793	0
OBSOLETE		100	2		9
OBSOLETE		68	2		8
OBSOLETE		50	2		7
OBSOLETE		36	2		5
OBSOLETE		26	2		4
5.4~6.5		20	2		2
OBSOLETE	BLACK	14	2	176793	1
OBSOLETE		80	1	176793	0
9.9~11.0		100			9
8.1~9.6		68			8
OBSOLETE		50			7
OBSOLETE		36			5
OBSOLETE		26			4
OBSOLETE		20			2
OBSOLETE	BEIGE WHITE	14		176793	1
RECOMMENDED CABLE DIA	COLOR	POSN		P/NO.	

GENERAL TOLERANCE
 10 ≥ : ±0.2
 30 ≥ > 10: ±0.25
 100 ≥ > 30: ±0.3
 ANGLES: ±3°

1 - -0; AS SHOWN

80	61.80	31	0.6	63.10	67.75	10.3	59.05	35	45	34	15.6	11.8	25
100	74.50	33	1.3	75.80	80.45	11.2	71.75	37	47	38	12.5	13.5	27
68	54.18	28	0.6	55.48	60.13	9.8	51.43	32	42	30	14.3	12.0	22
50	42.75	28	*	44.05	48.70	8.7	40.00	32	42	13	*	11.5	22
36	33.86	28	*	35.16	39.81	8.1	31.11	32	42	13	*	11.5	22
26	27.51	28	*	28.81	33.46	7.1	24.76	32	42	13	*	11.5	22
20	23.70	28	*	25.00	29.65	6.7	20.95	32	42	13	*	11.5	22
14	19.89	28	*	21.19	25.84	6.3	17.14	32	42	13	*	11.5	22
POSN	A	B	C	D	E	F	G	H	J	K	L	M	N

THIS DRAWING IS A CONTROLLED DOCUMENT.

DIMENSIONS:	TOLERANCES UNLESS OTHERWISE SPECIFIED.
mm	
0 PLC	±
1 PLC	±
2 PLC	±
3 PLC	±
4 PLC	±
ANGLES	±
FINISH	
MATERIAL	SEE TABLE
	SEE TABLE

DWN	T.KAWAMAE	100CT00	STE TE Connectivity Ltd.
CHK	H.MURAMATSU	110CT00	
APVD	H.MURAMATSU	110CT00	
NAME	SHIELD CASE KIT WITHOUT LOGO		
PRODUCT SPEC	108-5288		CHAMP.050 SERIES II STD-TYPE
APPLICATION SPEC	114-5166		
WEIGHT	A3	00779	C-176793
CUSTOMER DRAWING	SCALE	1:1	SHEET 1 OF 1
			REV J

单击下面可查看定价，库存，交付和生命周期等信息

[>>TE Connectivity\(泰科\)](#)