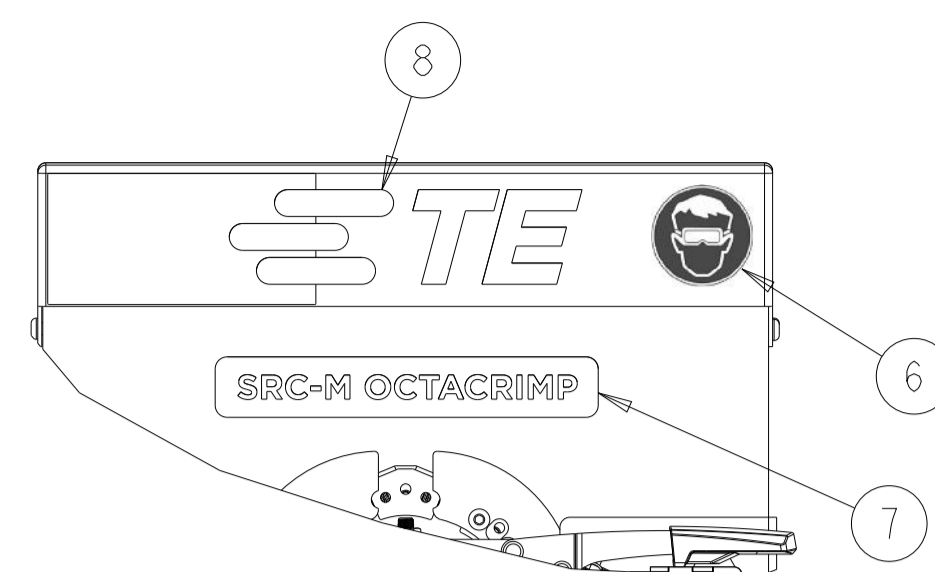


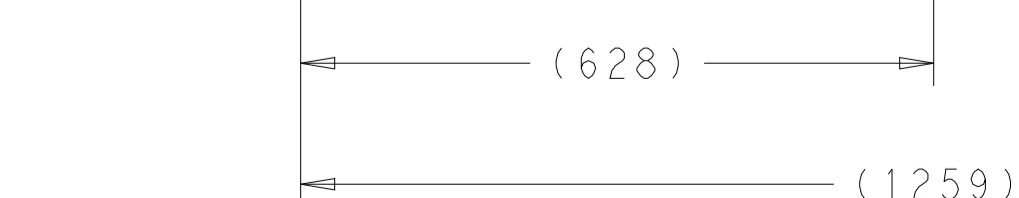
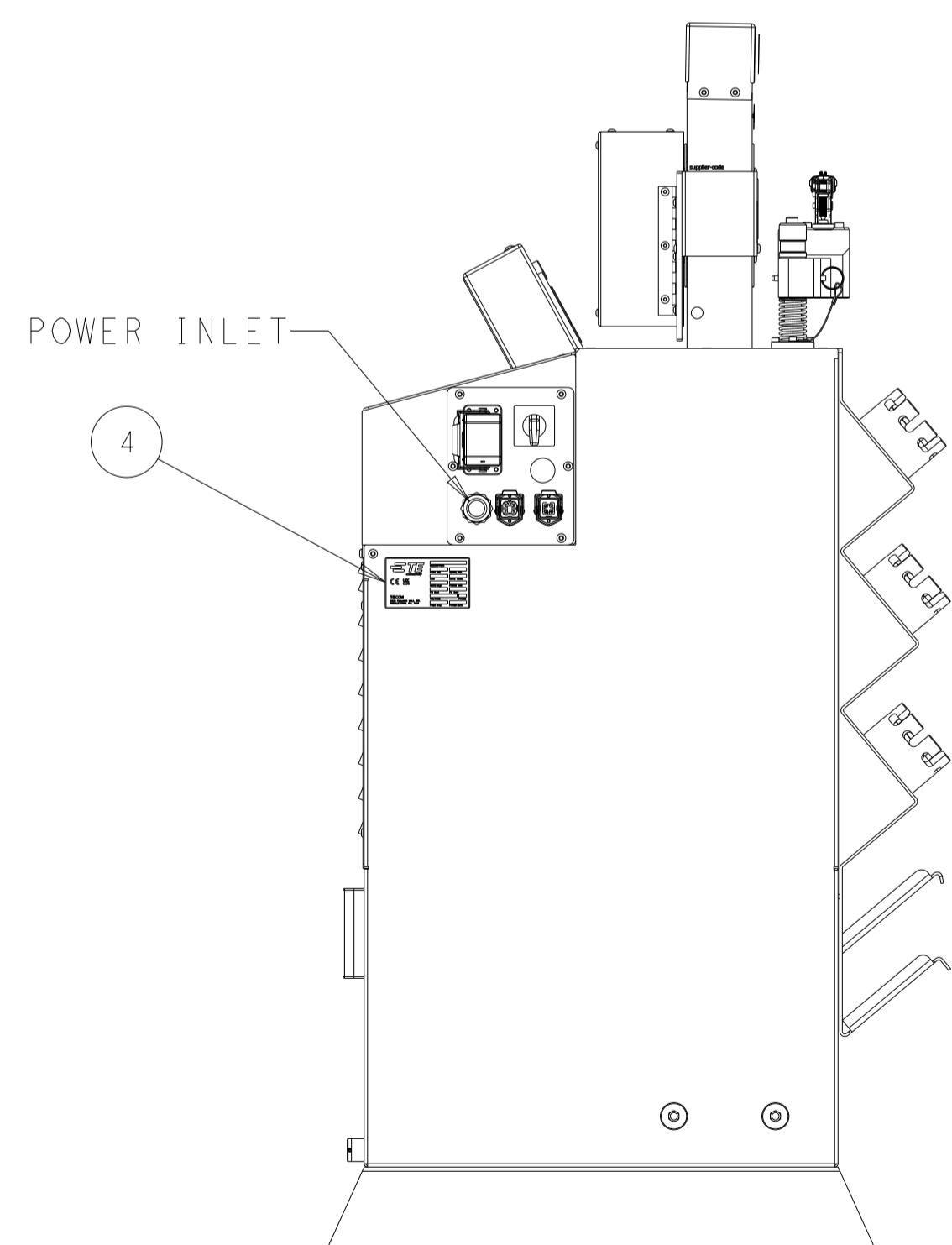
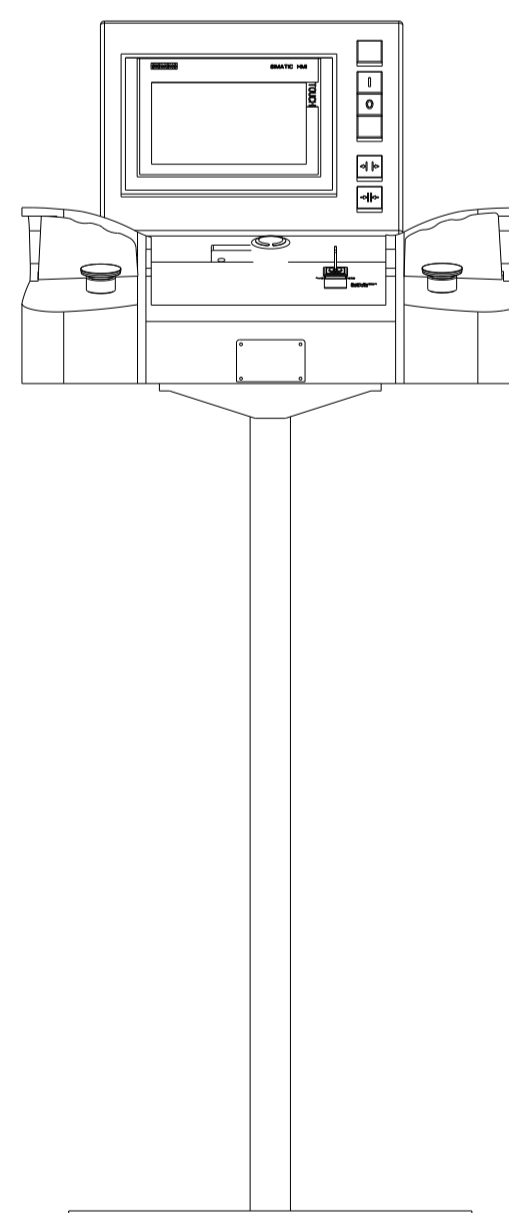
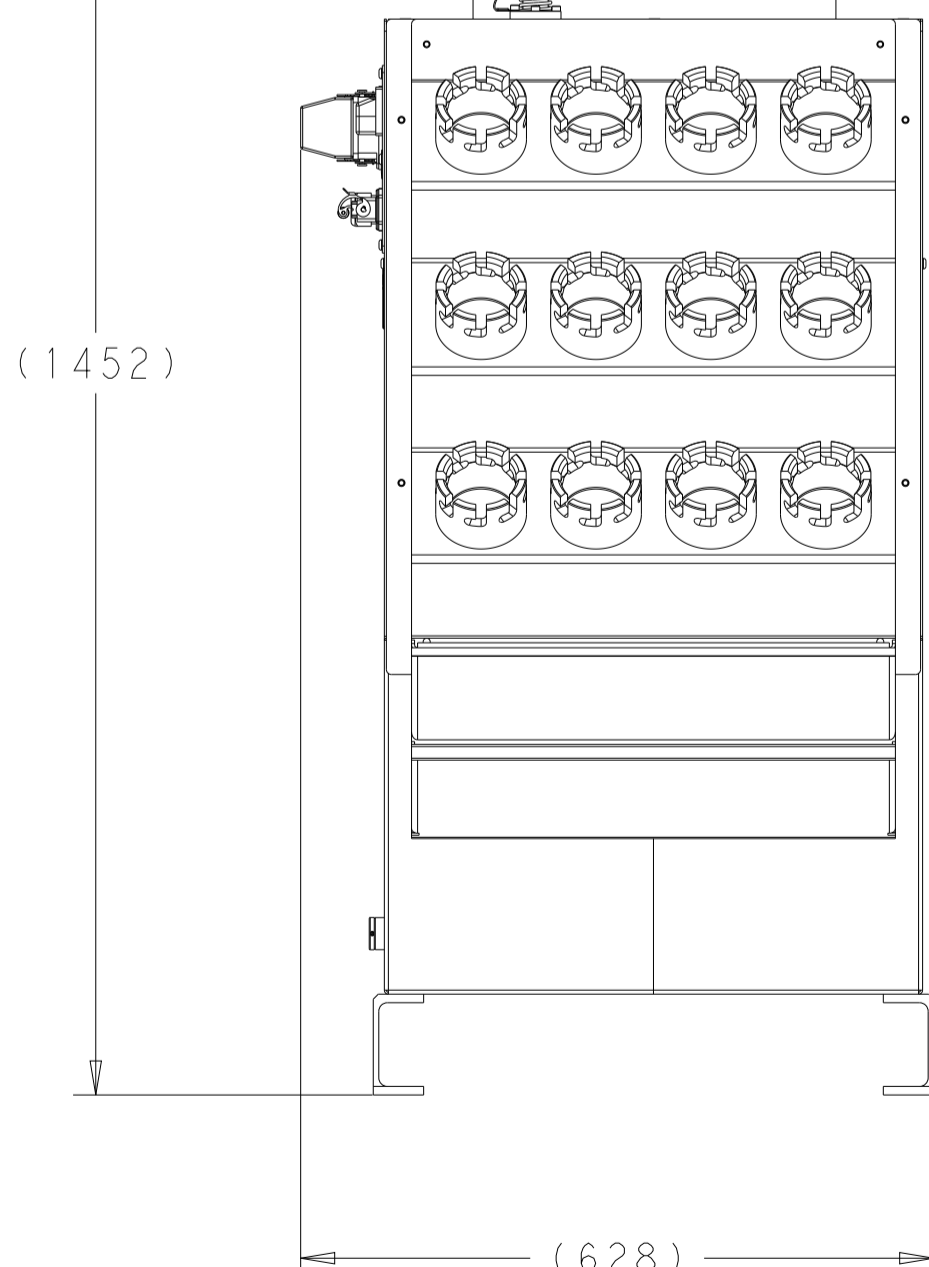
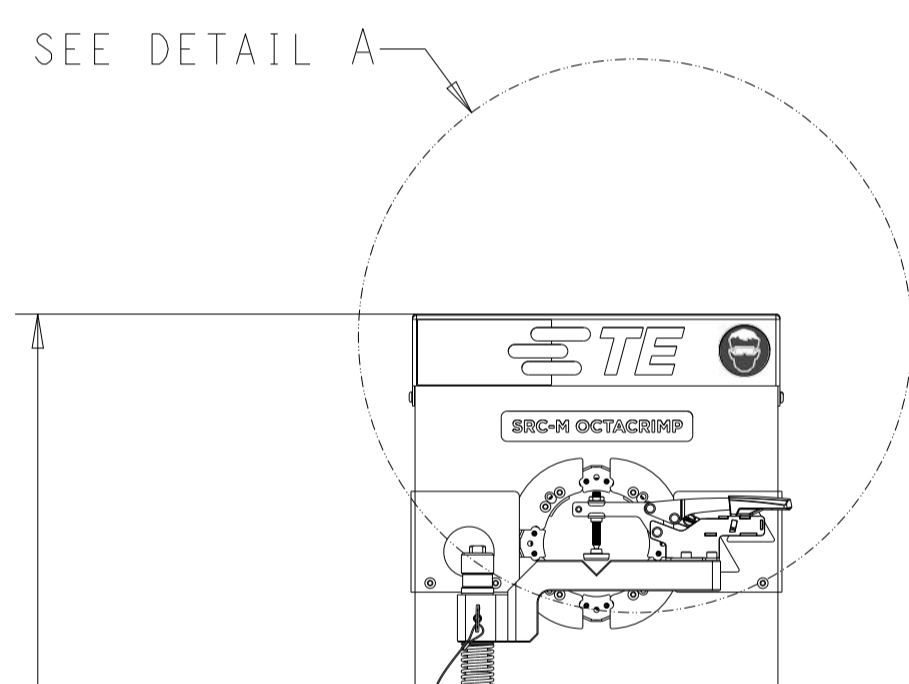
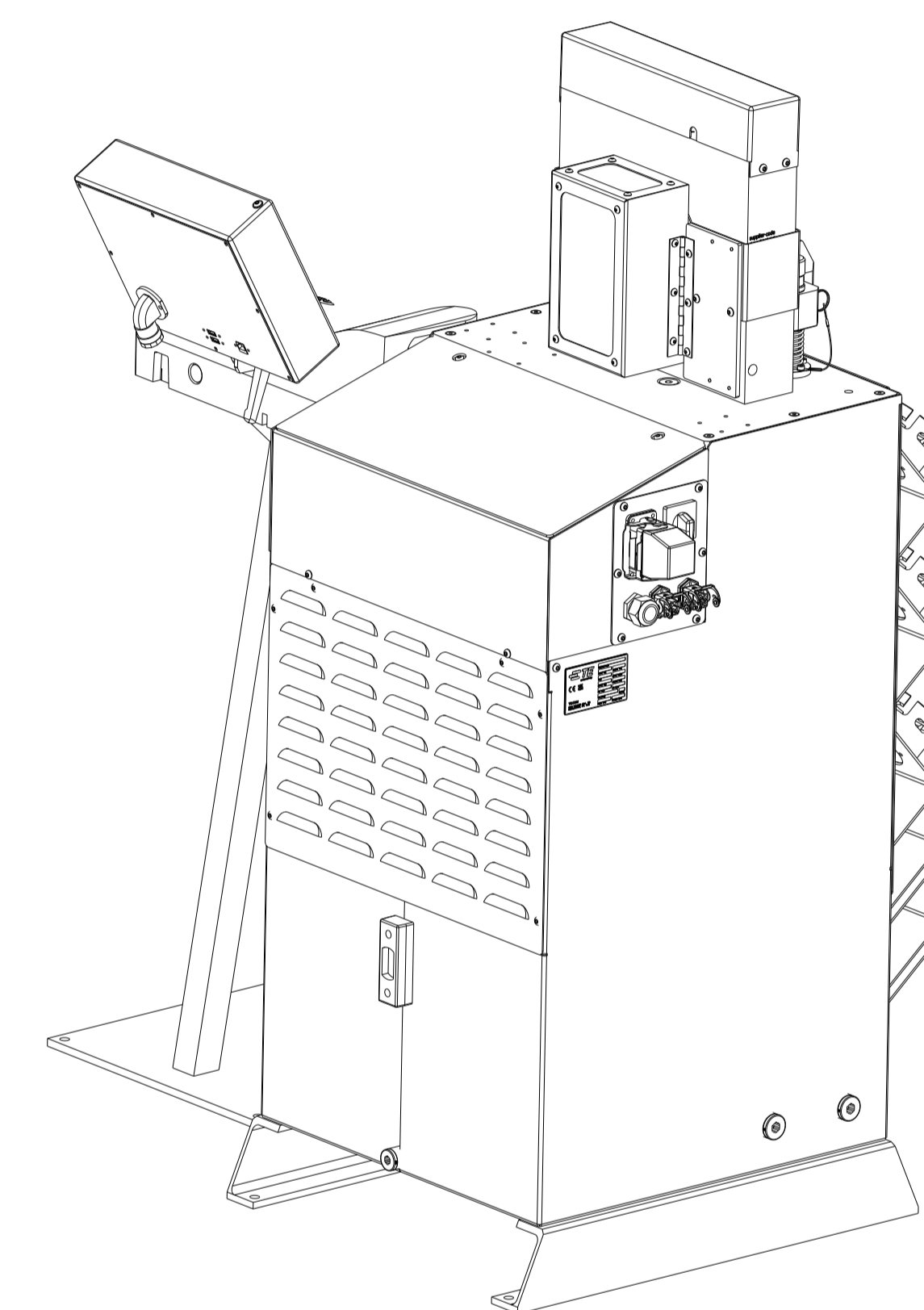
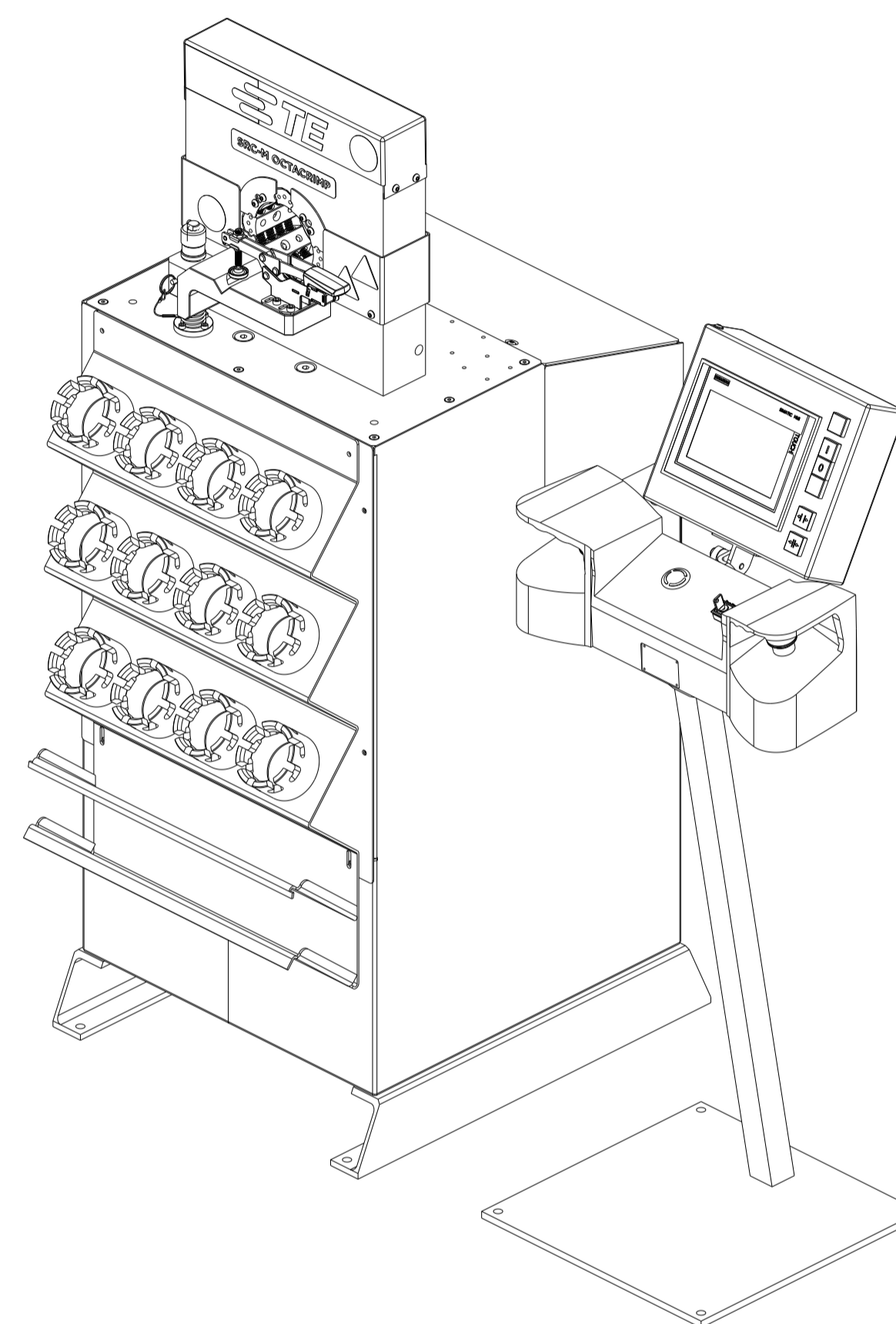
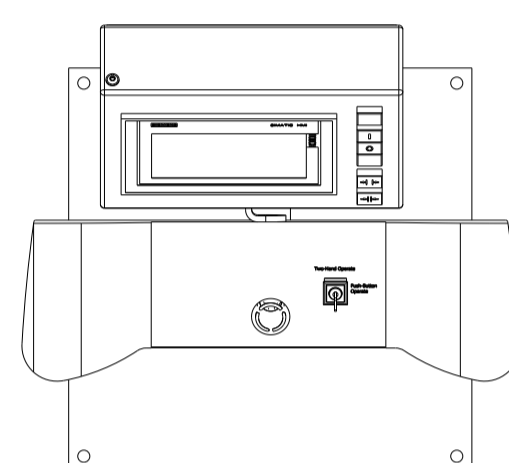
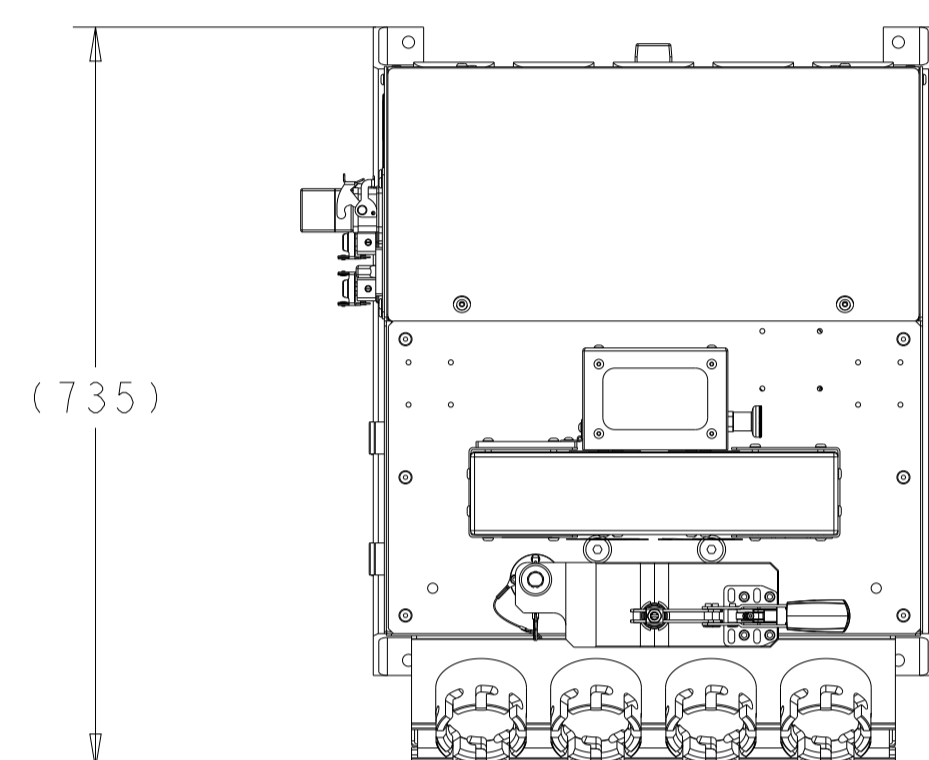
PART NUMBER	REV	FIRST USED	MACHINE STYLE
2335600-1	D	-	NON COM
2335600-2	D	-	WITH COM

REVISIONS				
P	LTN	DESCRIPTION	DATE	APVD
C		RELEASED	01NOV2023	DJG VA
D		ECR-24-211278	12JUN2024	GC DS



DETAIL A  
SCALE 4:15

1. RECOMMENDED SPARE PARTS: NONE.
2. ITEM NOT SHOWN.
3. OPTIONAL CALIBRATION KIT.



REF	REF	QTY	DESCRIPTION	ITEM NO
2	REF	-	2470234-1 FERRULE FITTING	14
2	REF	-	2470233-1 DIE SET	13
2	REF	-	2461011-1 DIE HOLDER	12
2	REF	--	2461010-1 DIE REMOVAL TOOL	11
2	3	REF	REF -- 2461009-1 CALIBRATION GAGE SET	10
2	3	REF	REF -- 2461008-1 CALIBRATION MANDREL	9
1	1	-	2-2459209-7 LABEL, TE	8
1	1	-	2459198-1 LABEL, SRC	7
1	1	-	2458973-1 LABEL, SAFETY EYEWARE	6
1	1	-	2450340-1 DOCUMENTATION PACKAGE	5
1	1	-	2488416-1 NUMBER PLATE, IDENTIFICATION	4
1	-	-	2437265-1 KIT, COM II, SRC HM220	3
1	1	-	2448087-1 ACCESSORY KIT, RADIAL CRIMPING MACHINE	2
-2	-1	U/M	PART NO DESCRIPTION	ITEM NO

THIS DRAWING IS A CONTROLLED DOCUMENT.

APVD: T. BACKENSTOES

DATE: 15DEC2022

NAME: SRC-M OCTACRIMP MACHINE

SIZE: A | 00779 | C=2335600

SCALE: 2:15 SHEET 1 OF 1 REV D

单击下面可查看定价，库存，交付和生命周期等信息

[>>TE Connectivity\(泰科\)](#)