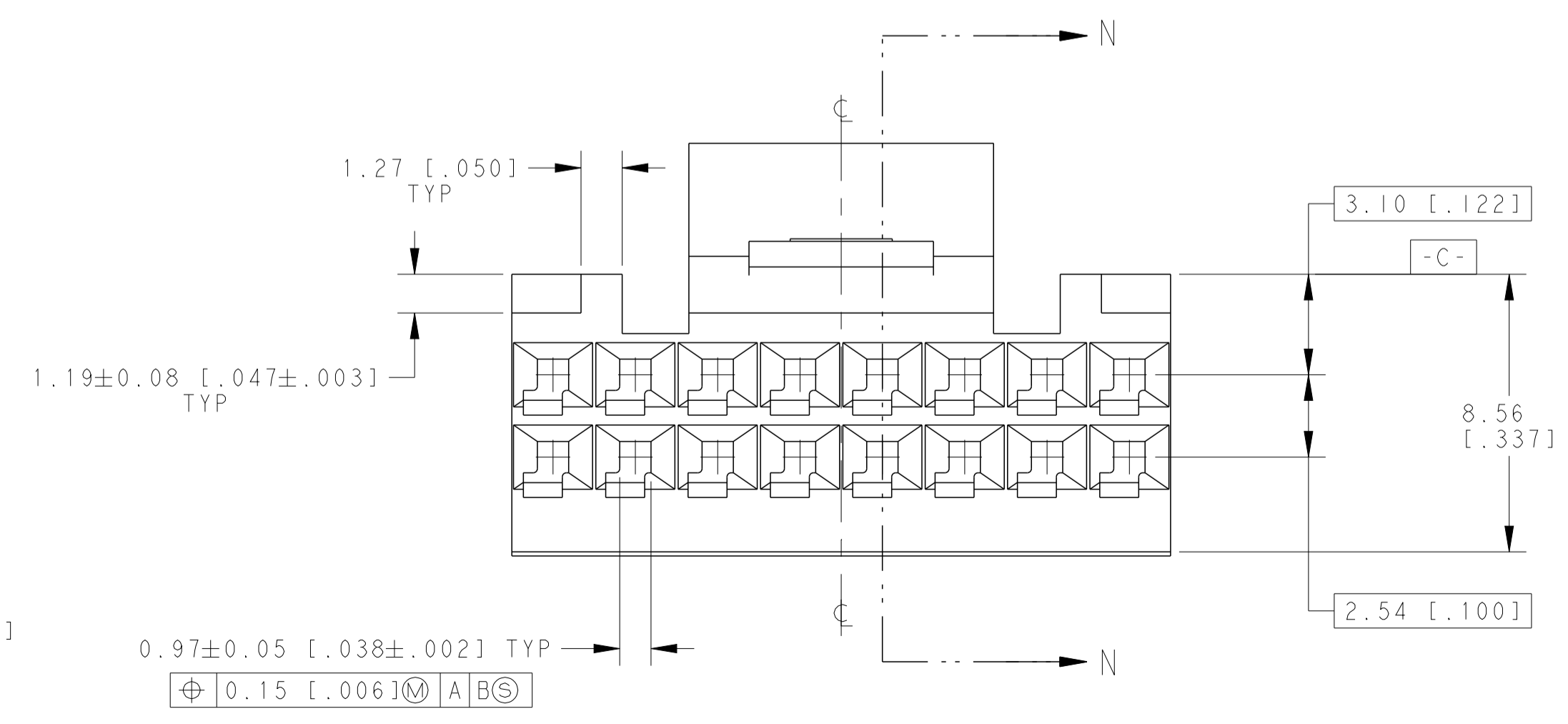
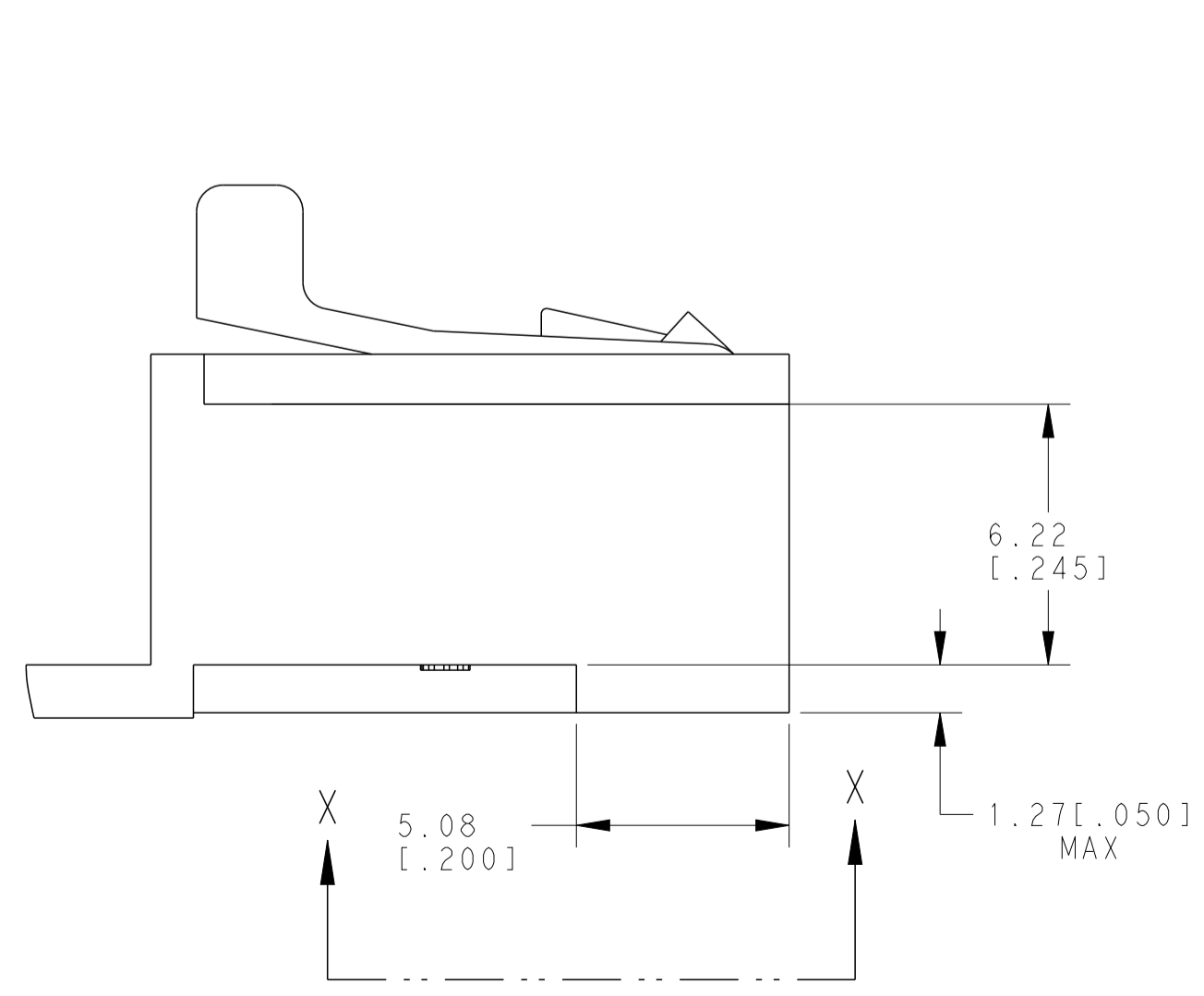
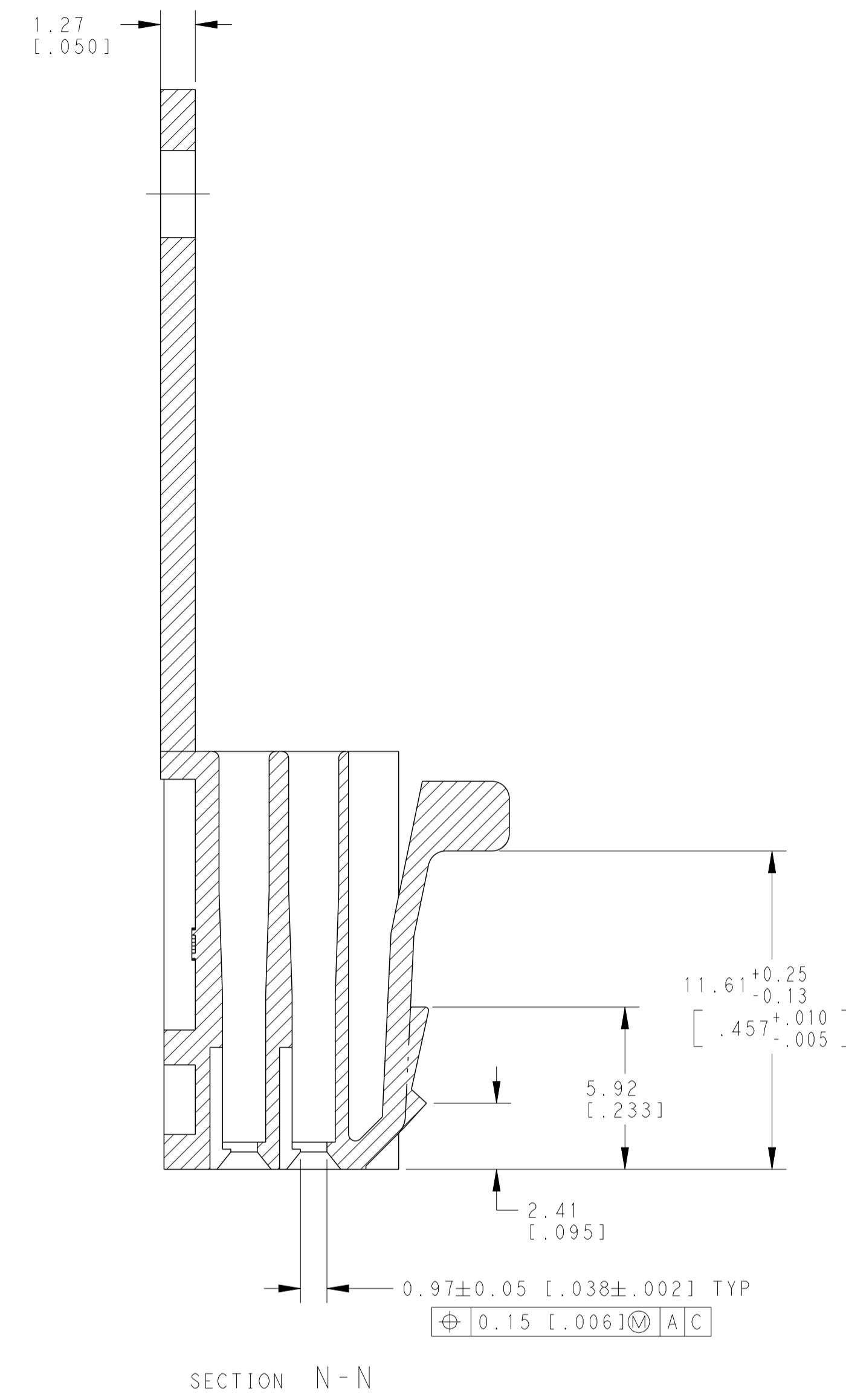
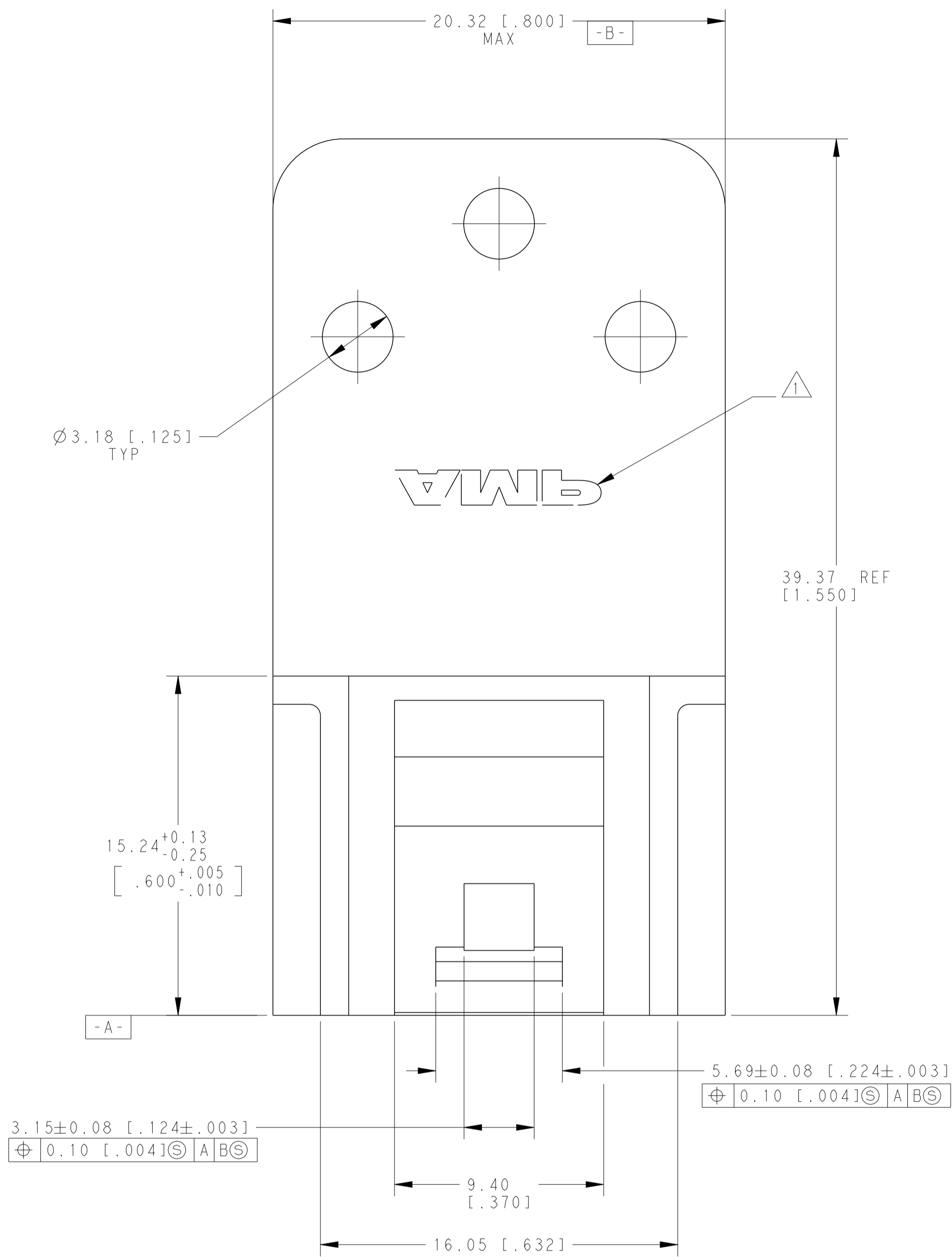
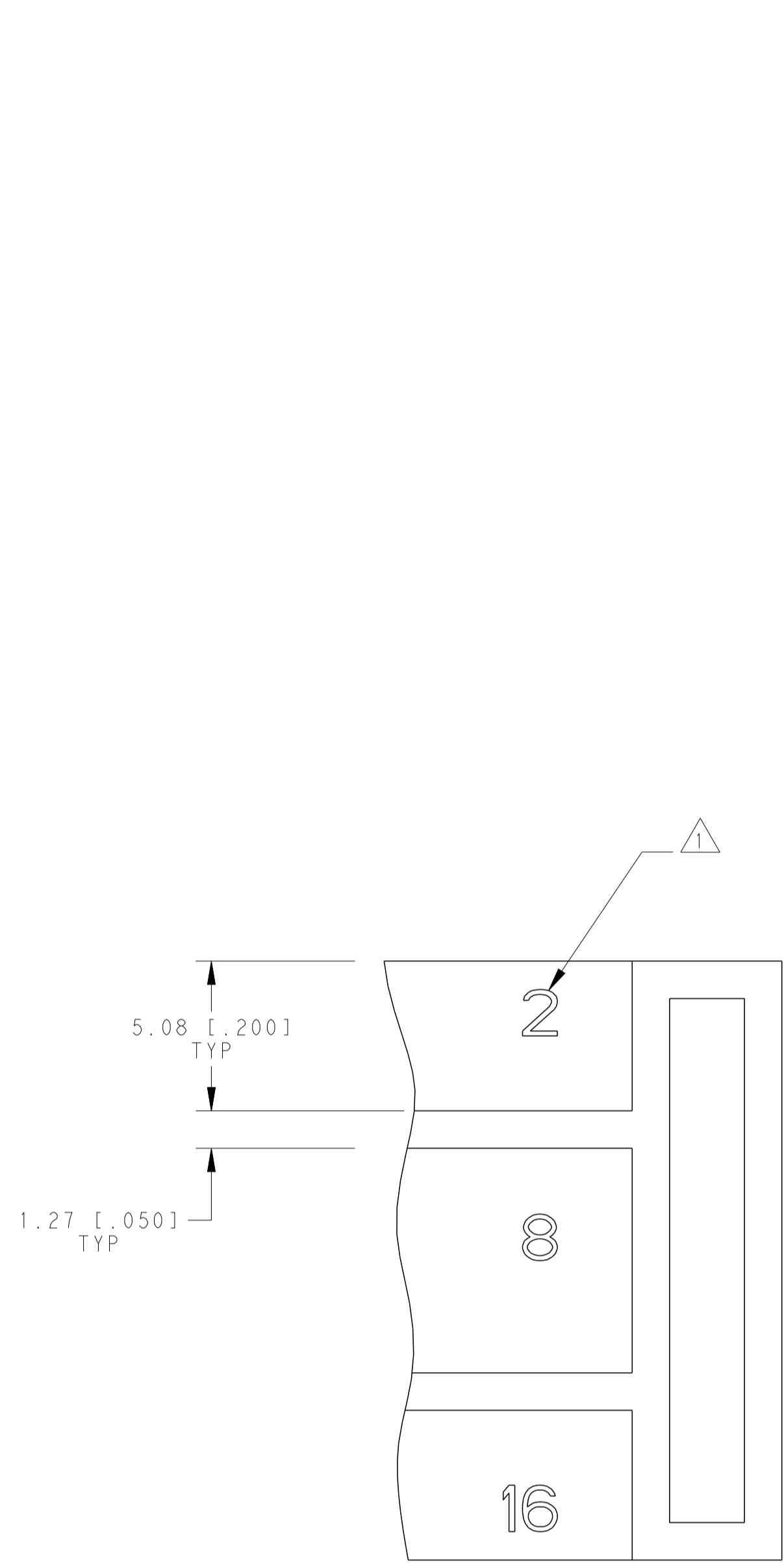


| REVISIONS |     |                           |           |       |
|-----------|-----|---------------------------|-----------|-------|
| P         | LTN | DESCRIPTION               | DATE      | APVD  |
| B         |     | REV PER 0G3C-0040-03      | 31JUL03   | RB DS |
| C         |     | REVISED PER ECO-18-000624 | 22JAN2018 | RS JO |



△ CAVITY ID'S AND AMP TRADEMARKS MOLDED IN AT LOCATIONS SHOWN.

104917-1  
ASSEMBLY  
PART  
NUMBER

|   |  |  |                                  |   |
|---|--|--|----------------------------------|---|
| THIS DRAWING IS A CONTROLLED DOCUMENT.  |  | DWN<br>E. BRANDBERG<br>CHK<br>S. SHUEY<br>APVD<br>S. SHUEY | 10-28-94<br>10-28-94<br>10-28-94 | TE Connectivity<br>HOUSING, MOD IV, DBL ROW,<br>2.54[.100] CL X 2.54[.100] CL, WITH<br>POLARIZATION AND LATCH |
| DIMENSIONS:<br>mm [INCHES]  | TOLERANCES UNLESS<br>OTHERWISE SPECIFIED:                                      | PRODUCT SPEC   | APPLICATION SPEC                 |   |
| 0 PLC ±<br>1 PLC ±<br>2 PLC ±0.13(.005)<br>3 PLC ±<br>4 PLC ±<br>ANGLES ±<br>FINISH ± | 0.15 [.006] A B S<br>0.10 [.004] A B S<br>0.15 [.006] A C<br>0.10 [.004] A B S | RESTRICTED TO  | RESTRICTED TO                    |   |
| MATERIAL<br>FLAME RETARANT<br>THERMOPLASTIC<br>COLOR: BLACK                           | WEIGHT   | A100779C=104917  | RESTRICTED CUSTOMER              |   |

单击下面可查看定价，库存，交付和生命周期等信息

[>>TE Connectivity\(泰科\)](#)