

**Power Relay 430 3mm**

- 1 pole 16A, 1 form A (NO) contact
- Safety mains isolation
- Contact gap >3mm
- DC and AC coil
- 4kV/8mm coil-contact, reinforced insulation (VDE 0700)
- PCB mounting or quick connect terminals
- Mounting brackets or snap mounting
- Version with arc blow magnet for high DC loads
- WG version: product in accordance to IEC 60335-1



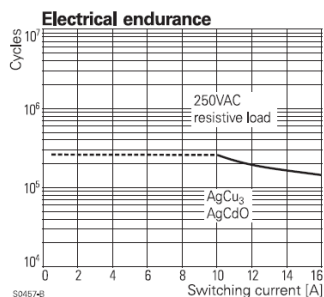
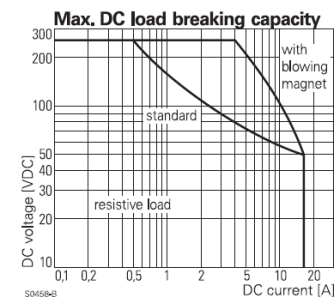
F0256-B

Typical applications  
Domestic appliances, industrial appliances, industrial controls.

Approvals	
VDE REG.-Nr. C820, UL E214024	
Technical data of approved types on request.	

Contact Data	
Contact arrangement	1 form A (NO)
Contact gap	>3mm
Rated voltage	250VAC
Max. switching voltage	400VAC
Rated current	16A
Limiting making current, max 4 s, duty factor 10%	25A
Breaking capacity max.	4000VA
Contact material	AgCu3
Contact style	bifurcated contact
Frequency of operation, with/without load	900/18000h <sup>-1</sup>

Contact ratings			
Type	Contact	Load	Cycles
<b>IEC 61810</b>			
0430 .4 .. 0	A (NO)	16A, 250VAC, cosφ=1, 70°C	50x10 <sup>3</sup>
Mechanical endurance			
DC coil		>250x10 <sup>3</sup> operations	
AC coil		>250x10 <sup>3</sup> operations	



Coil Data	
Coil voltage range	
DC coil	6 to 110VDC
AC coil	6 to 240VAC
Operative range, IEC 61810	2

Coil versions, DC coil					
Coil code	Rated voltage VDC	Operate voltage VDC	Release voltage VDC	Coil resistance Ω±10%	Rated coil power mW
09	12	7.8	0.6	145	993
10	24	15.6	1.2	580	993
11	48	31.2	2.4	2200	1047
13	110	71.5	5.5	13000	931

All figures are given for coil without pre-energization, at ambient temperature +23°C. Other coil voltages on request.

Coil versions, AC coil, 50Hz					
Coil code	Rated voltage VAC	Operate voltage VAC	Release voltage VAC	Coil resistance Ω±10%	Rated coil power VA
23	24	18	3.6	145	1.8
25	60	45	9	950	1.8
26	110	83	16	3100	1.8
27	230	175	35	11400	1.8
28	240	185	36	13000	1.8

All figures are given for coil without pre-energization, at ambient temperature +23°C, 50Hz. Other coil voltages on request.

Insulation Data	
Initial dielectric strength	
between open contacts	2000V <sub>rms</sub>
between contact and coil	4000V <sub>rms</sub>
Clearance/creepage	
between contact and coil	≥8/8mm
Material group of insulation parts	IIla
Tracking index of relay base	PTI250

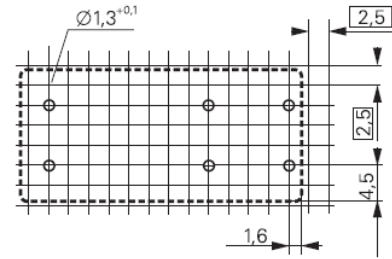
**Power Relay 430 3mm** (Continued)

**Other Data**

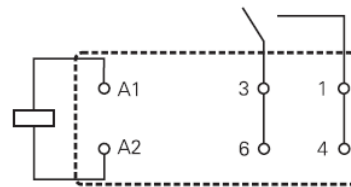
Material compliance: EU RoHS/ELV, China RoHS, REACH, Halogen content refer to the Product Compliance Support Center at <a href="http://www.te.com/customer-support/rohssupportcenter">www.te.com/customer-support/rohssupportcenter</a>	
Resistance to heat and fire	according EN60335, par.30
Ambient temperature	-20 to +70°C
Category of environmental protection	IEC 61810
	RTI - dust protected
Shock resistance (destructive)	100g
Terminal type	PCB-THT, quick connect
Mounting	PCB, mounting brackets, snap mounting, DIN rail
Weight	32g
Resistance to soldering heat THT	
IEC 60068-2-20	270°C/10s
Packaging unit	50 pcs.

**PCB layout / terminal assignment**

Bottom view on solder pins



S0448-AE

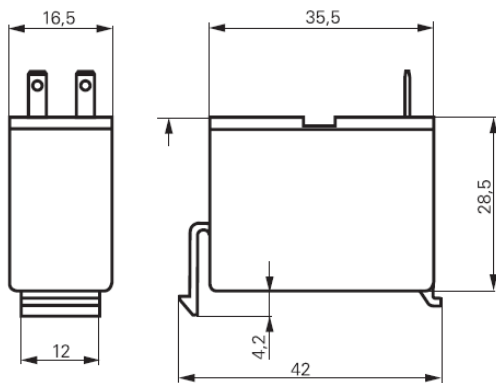


S0448-AF

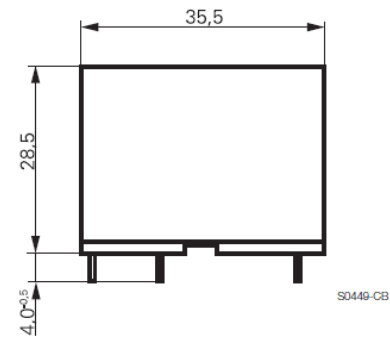
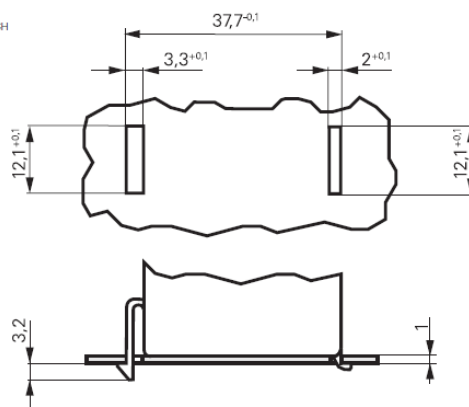
**Dimensions**

Snap mounting

PCB mounting



S0448-CH



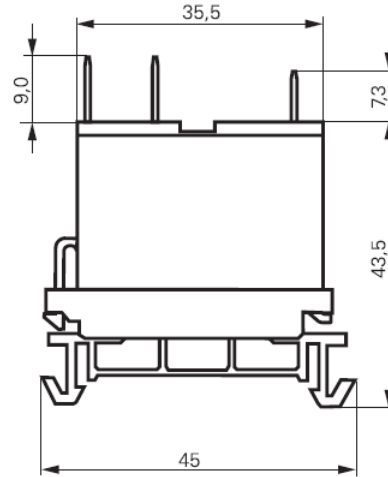
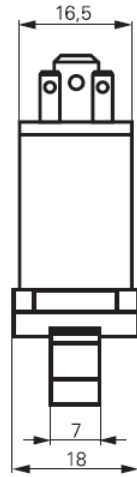
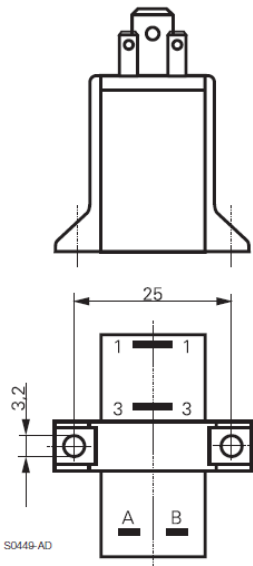
S0448-CB

**Power Relay 430 3mm** (Continued)

**Dimensions**

Mounting brackets

DIN-rail mount



S0449-CK

**Product code structure**

Typical product code **0430 2 5 09 0 100**

**Type**  
0430 Power relay 430 3mm

**Mounting**  
0 PCB version                      2 Snap mounting  
1 Mounting brackets              5 DIN-rail mounting

**Contact design**  
4 Arc blowing magnet  
5 Standard

**Coil**  
Coil code: please refer to coil versions table

**Contact material**  
0 AgCu3

**Version**  
100 Standard  
100WG Product in accordance with IEC 60335-1 (domestic appliances) only available on request

Other types on request.

Product code	Mounting	Cont. material	Cont. arrangement	Coil	Part Number
0430 04 0901 00	PCB version	AgCu3	1 form A (NO)	DC coil	3-1415535-3
0430 04 1001 00					2-1415535-8
0430 15 1001 00	Mounting Bracket				2-1415535-9
0430 55 1001 00	DIN-rail mounting				3-1415404-9
0430 25 2701 00	Snap mounting			AC coil	5-1415543-2

单击下面可查看定价，库存，交付和生命周期等信息

[>>TE Connectivity\(泰科\)](#)