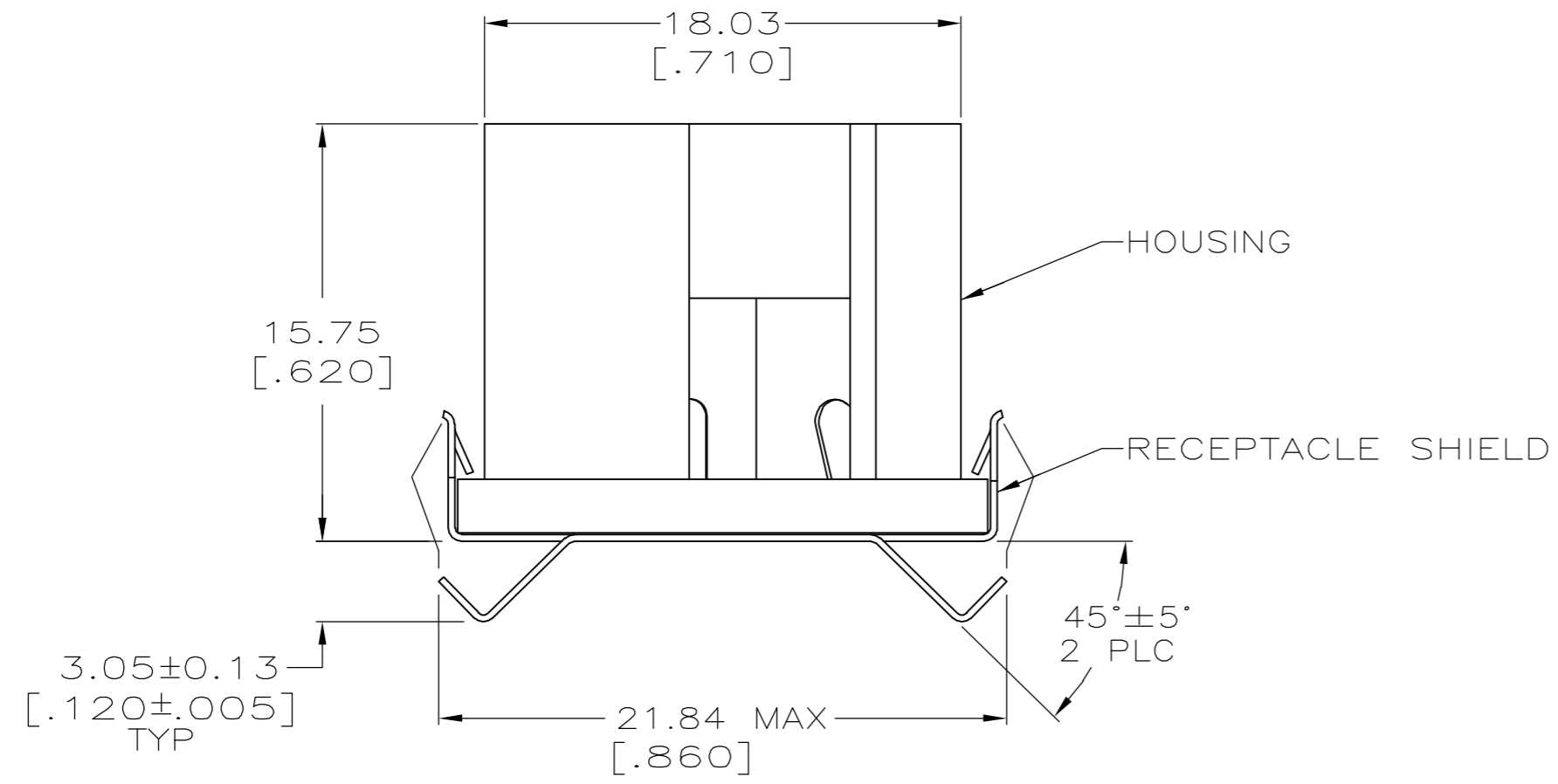
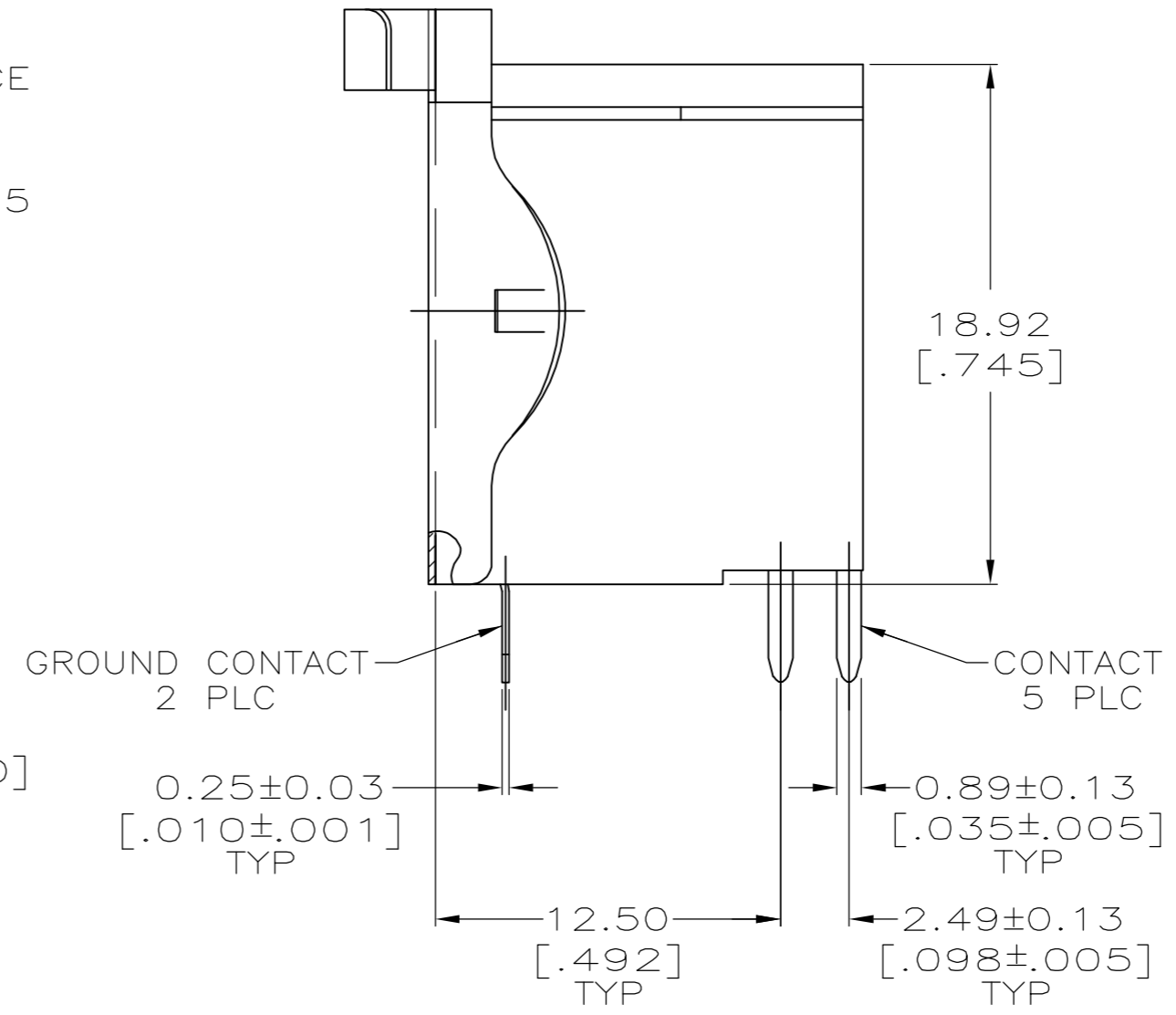
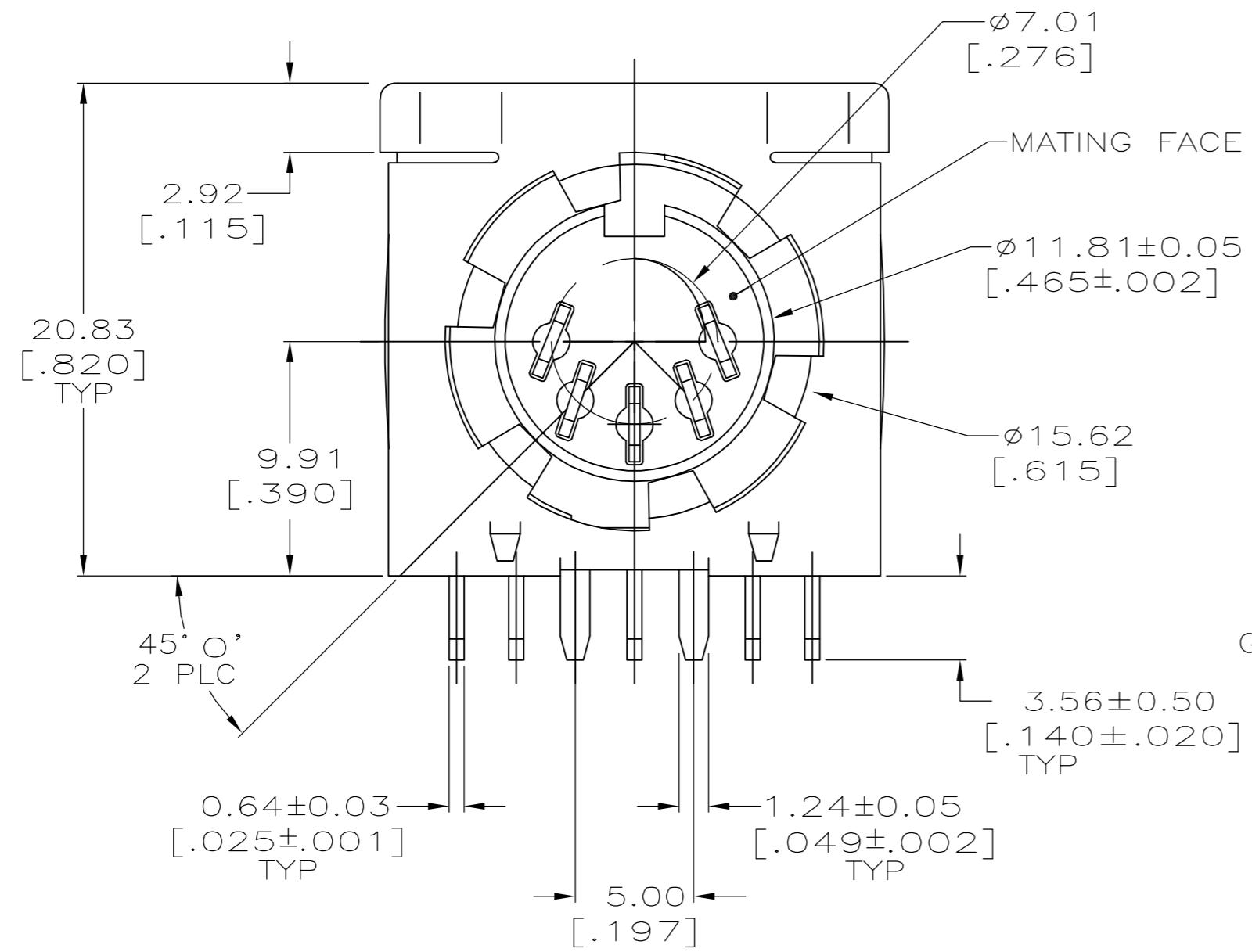


THIS DRAWING IS UNPUBLISHED. RELEASED FOR PUBLICATION
 © COPYRIGHT BY TYCO ELECTRONICS CORPORATION. ALL RIGHTS RESERVED.

LOC	DIST	REVISIONS			
P	LTR	DESCRIPTION	DATE	DWN	APVD
GP	00				
	01	REVISED PER ECO-07-008008	10APR07	JDP	CWR



- ① HOUSING: NYLON, UL 94V-0 RATED, BLACK.
- ② CONTACTS & RECEPTACLE SHIELD: 2.54 μm [.000100] MIN TIN OVER 1.27 μm [.000050] MIN NICKEL.
- 3. MATING FACE CONFORMS TO DIN SPEC 41524.
- ④ CONTACTS & RECEPTACLE SHIELD: BRASS.



5750477-1
 PART NO

THIS DRAWING IS A CONTROLLED DOCUMENT.		DWN L. VARELA - DOCK5 11-12-04	Tyco Electronics Corporation Harrisburg, PA 17105-3608													
DIMENSIONS: mm [INCHES]		CHK C. ROHDE 11-12-04														
TOLERANCES UNLESS OTHERWISE SPECIFIED:		APVD M. WALMSLEY 11-12-04	NAME RECEPTACLE ASSEMBLY, 5 POSN, RIGHT ANGLE, W/ FRONT PANEL GROUNDING FINGERS, CIRCULAR DIN													
<table border="1"> <tr><td>0 PLC</td><td>± -</td></tr> <tr><td>1 PLC</td><td>± -</td></tr> <tr><td>2 PLC</td><td>± 0.25 [.010]</td></tr> <tr><td>3 PLC</td><td>± -</td></tr> <tr><td>4 PLC</td><td>± -</td></tr> <tr><td>ANGLES</td><td>± 0° 30'</td></tr> </table>		0 PLC	± -	1 PLC	± -	2 PLC	± 0.25 [.010]	3 PLC	± -	4 PLC	± -	ANGLES	± 0° 30'	PRODUCT SPEC 108-10047	SIZE A2	CAGE CODE 00779
0 PLC	± -															
1 PLC	± -															
2 PLC	± 0.25 [.010]															
3 PLC	± -															
4 PLC	± -															
ANGLES	± 0° 30'															
MATERIAL ① ④		APPLICATION SPEC 114-40025	DRAWING NO C=5750477	RESTRICTED TO -												
FINISH ②		WEIGHT -	SCALE 4:1	SHEET 1 of 1												
CUSTOMER DRAWING			REV 01													

单击下面可查看定价，库存，交付和生命周期等信息

[>>TE Connectivity\(泰科\)](#)