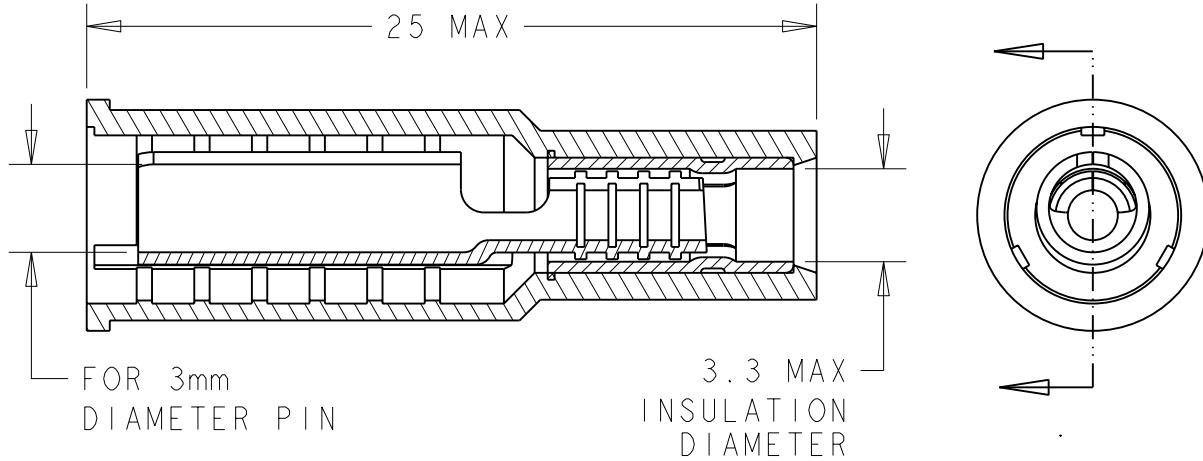
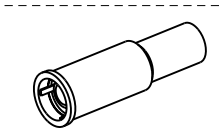


| LOC | DIST | REVISIONS | | | | |
|-----|------|-------------|-----------------|----------|------|----|
| P | LTR | DESCRIPTION | DATE | DWN | APVD | |
| - | - | A | AJOUTE 141456-2 | 11/1/84 | GR | GR |
| | | B | REDRAWN IN CAD | 19/10/07 | NH | GR |
| | | | | | | |



| | | |
|----------|----------|--------|
| OBSOLETE | 141456-2 | BLACK |
| | 141456-1 | RED |
| | TE PN | COLOUR |



SCALE 1:1
141456-1
AS SHOWN

| | | | | | |
|--|-----------------------------------|--|-----------|------------|--------------------|
| DIMENSIONS: mm | DWN NIRANJAN HEGDE 19OCT2007 | MATERIAL | - | FINISH | - |
| | CHK SHIVAPRAKASH K R 19OCT2007 | Tyco Electronics France, SAS 95300 Pontoise, France | | | |
| TOLERANCES UNLESS OTHERWISE SPECIFIED: | APVD ROBERT GERARD 19OCT2007 | | | | |
| 0 PLC ± - | PRODUCT SPEC | NAME DOUILLE ISOLEE POUR BROCHE DE 3 mm | | | |
| 1 PLC ± - | - | | | | |
| 2 PLC ± - | APPLICATION SPEC | SIZE | CAGE CODE | DRAWING NO | RESTRICTED TO |
| 3 PLC ± - | - | A 4 | - | C-141456 | - |
| 4 PLC ± - | WEIGHT | - | | | |
| ANGLES ± - | CUSTOMER DRAWING | | SCALE | 4:1 | SHEET 1 OF 1 REV B |

单击下面可查看定价，库存，交付和生命周期等信息

[>>TE Connectivity\(泰科\)](#)