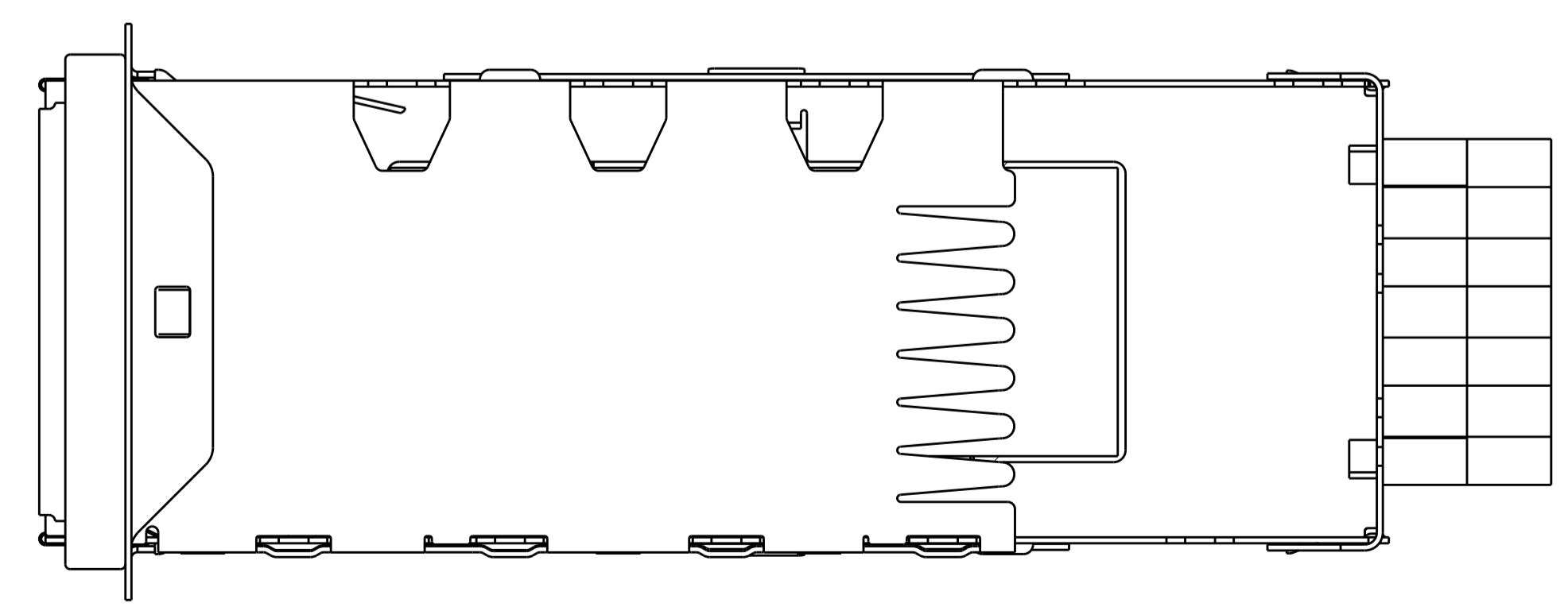
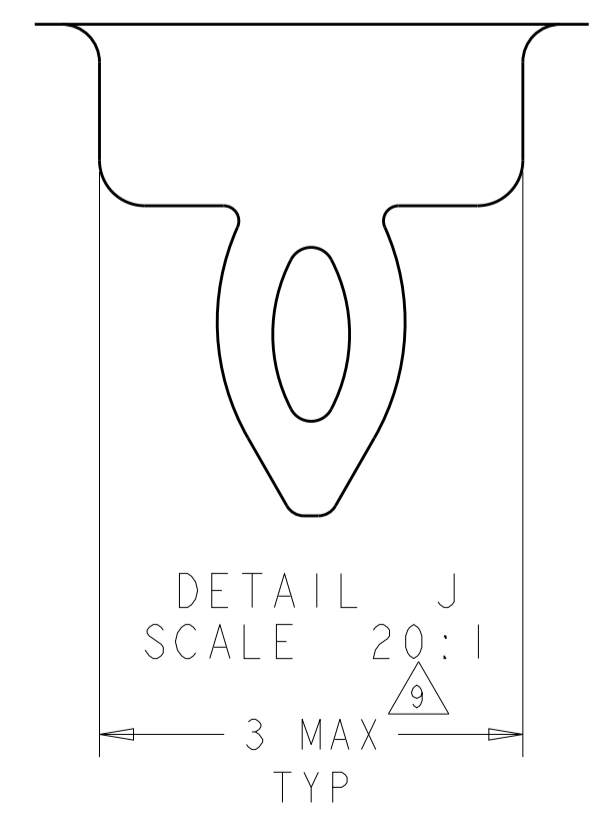
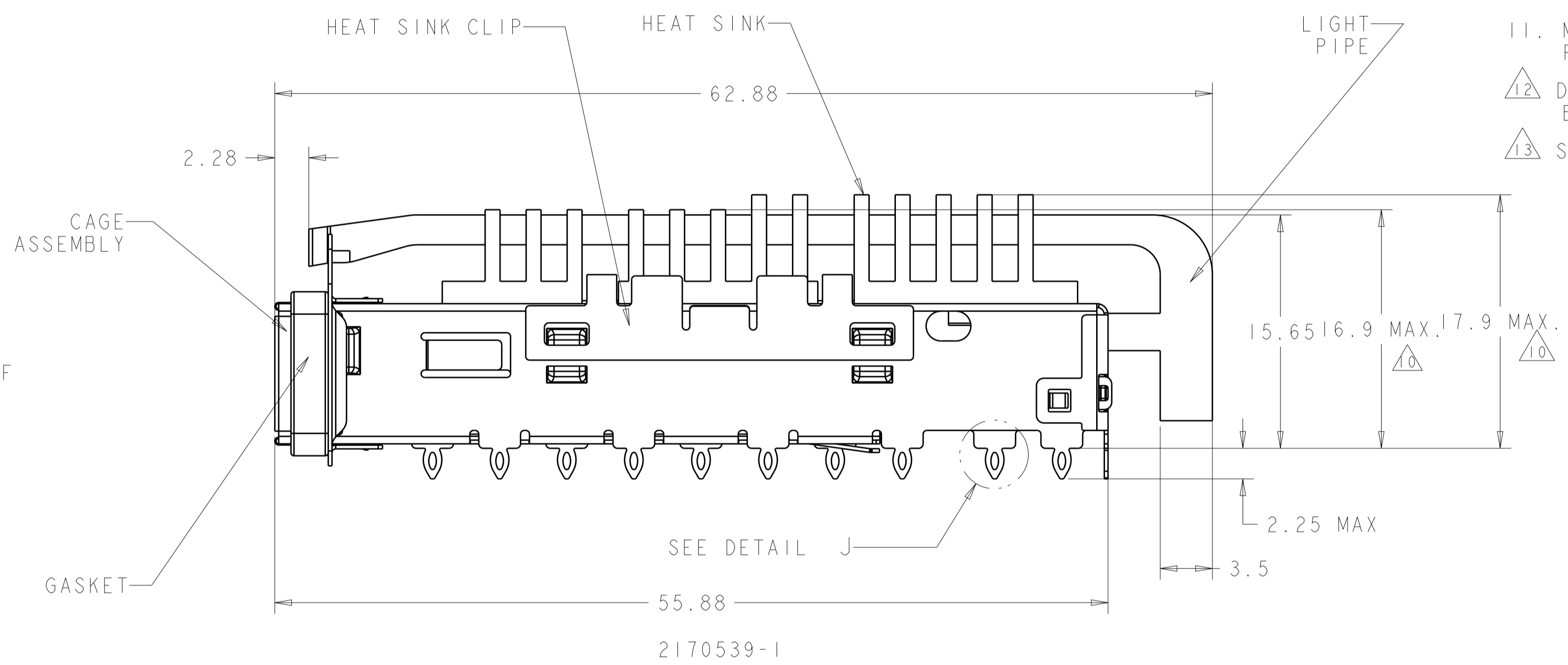
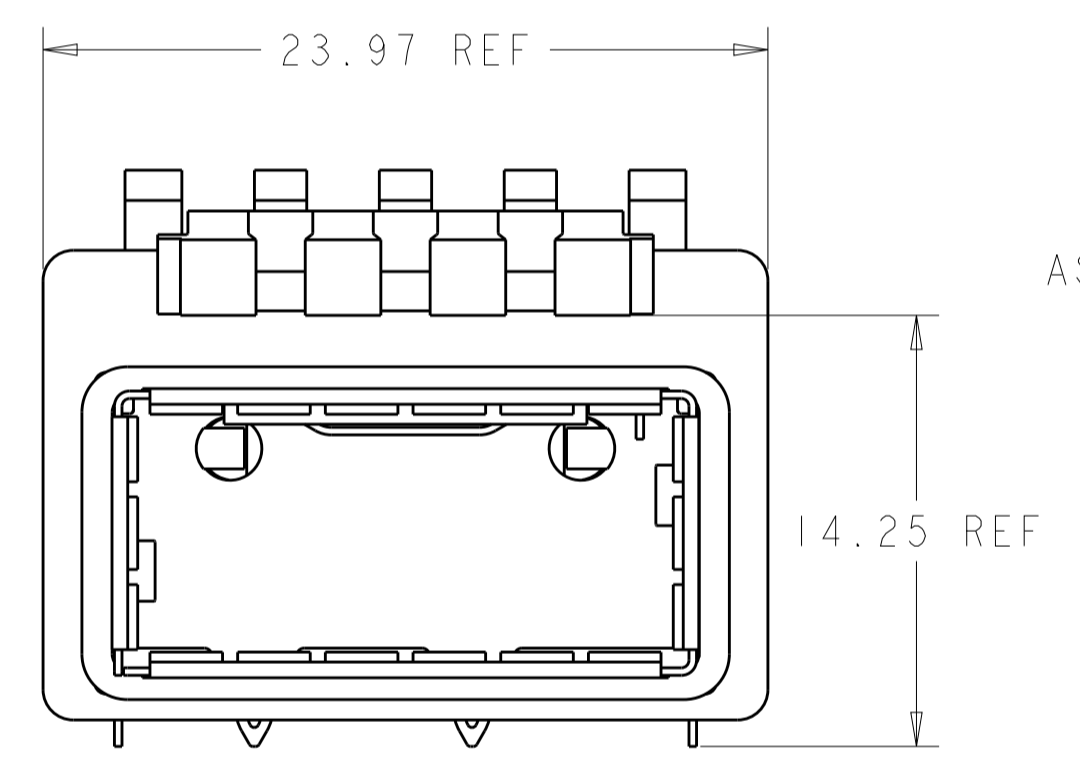
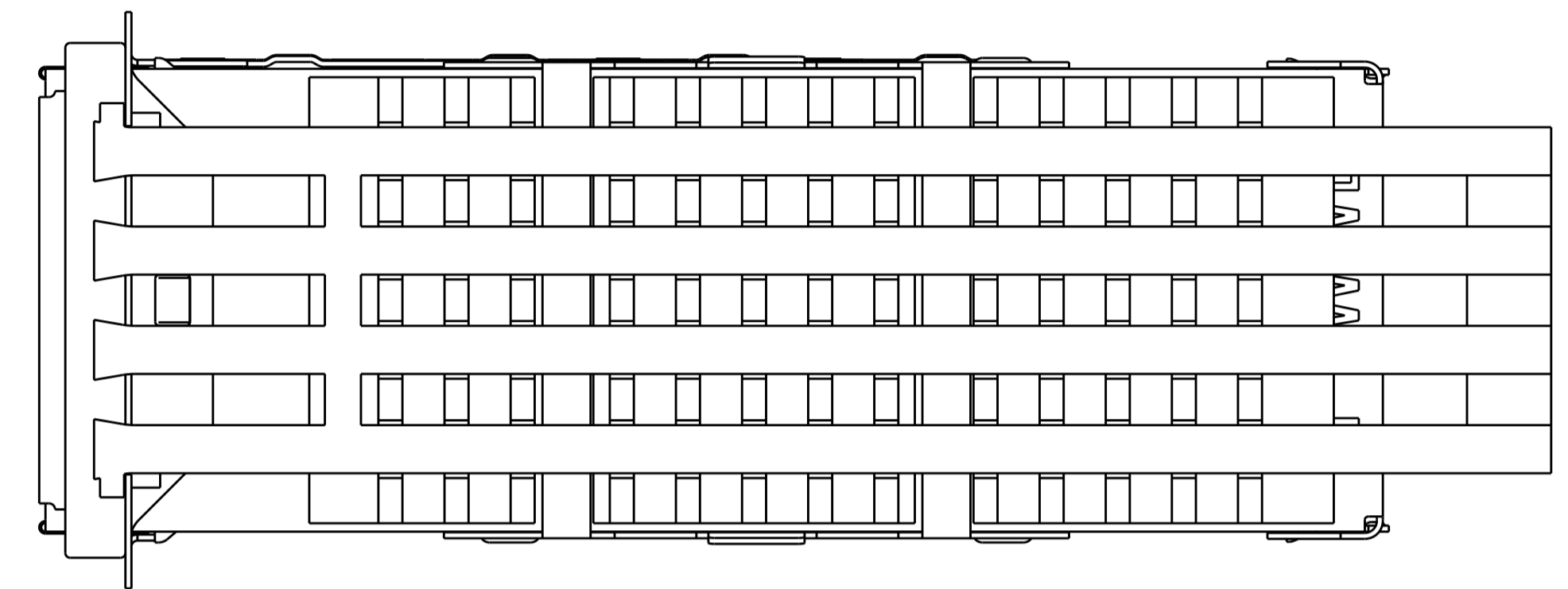
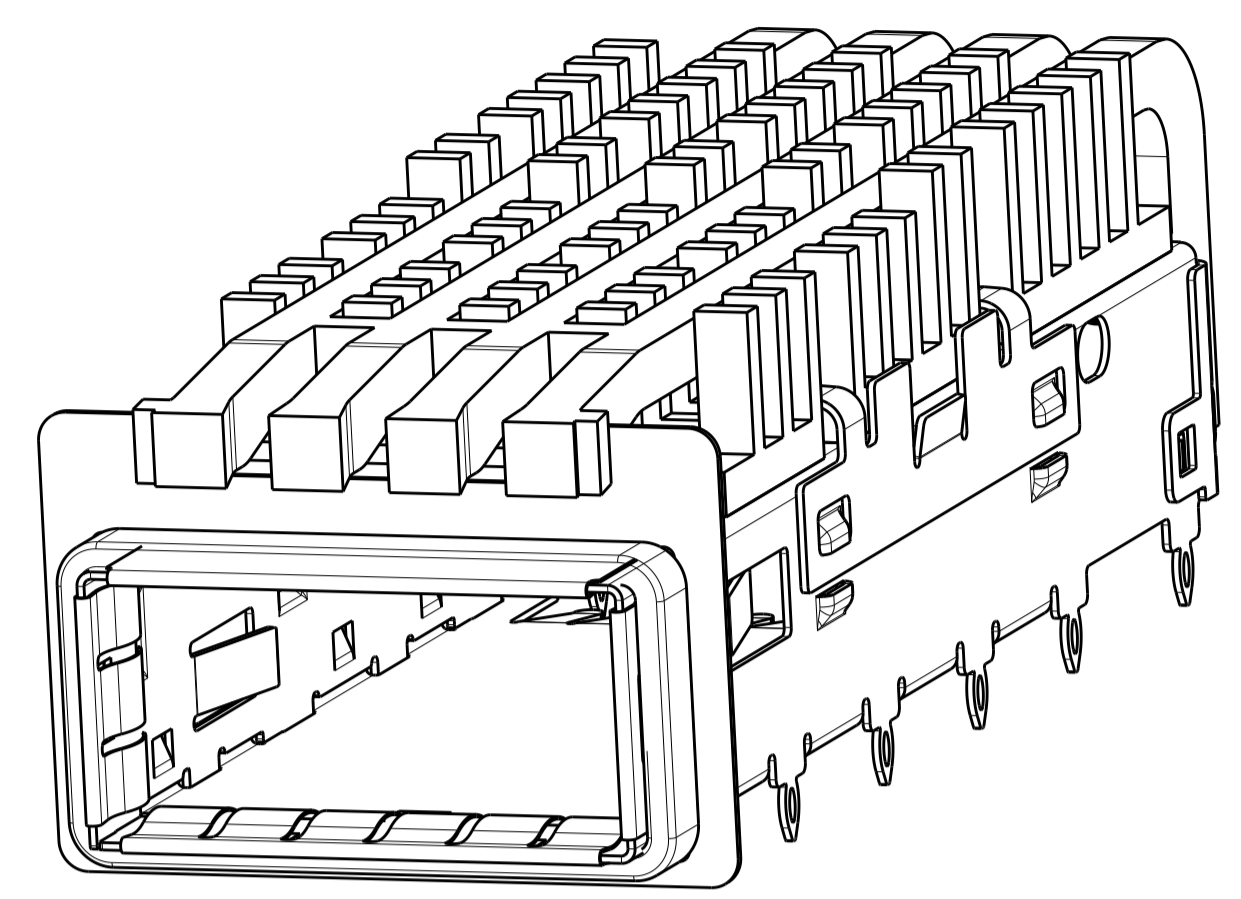


LOC		DIST		REVISIONS			
ES		00		REV	DATE	BY	CHK
4				PRELIMINARY	04MAY2014	HW	MC
5				ADD 2170539-5	04MAY2014	HW	MC
A				ADD SHEET 6 2170539-6	17SEP2015	RG	SH



- 1. CAGE MATERIAL: NICKEL SILVER, 0.25 THICK
 HEAT SINK MATERIAL: ALUMINUM
 HEAT SINK CLIP MATERIAL: STAINLESS STEEL
 LIGHT PIPE MATERIAL: CLEAR POLYCARBONATE, UL-94V-0 RATED.
 EMI SPRING MATERIAL: COPPER ALLOY
- 2. MINIMUM PITCH DIMENSION.
- 3. MATES WITH QSFP MSA COMPATIBLE TRANSCEIVER.
- 4. REFERENCE APPLICATION SPEC 114-13217 FOR RECOMMENDED DRILL HOLE DIAMETER AND PLATING THICKNESS.
- 5. DATUMS AND BASIC DIMENSIONS ESTABLISHED BY CUSTOMER.
- 6. MINIMUM PC BOARD THICKNESS:
 SINGLE SIDED = 1.45mm (shown, pg. 4)
- 7. HEAT SINK, CLIP, AND LIGHT PIPE SHIPPED ASSEMBLED TO CAGE ASSEMBLY. CAGE ASSEMBLY MAY BE PRESSED INTO THE PCB AS SHIPPED.
- 8. DATUM **-A-** IS TOP SURFACE OF HOST BOARD.
- 9. SURFACE TRACES PERMITTED WITHIN THIS AREA EXCEPT WHERE CAGE STANDOFFS, SHOWN IN DETAIL J, CONTACT PC BOARD.
- 10. DIMENSION APPLIES WITH MODULE INSTALLED IN THE CAGE TO TOP OF HEAT SINK.
- 11. MAXIMUM HEIGHT OF CUSTOMER SUPPLIED LED OFF PC BOARD: 1.70mm.
- 12. DATE CODE (YYWWD) MARKED ON TOP OF CAGE AND CONCEALED BY HEAT SINK APPLIES TO CAGE ASSEMBLY ONLY.
- 13. SPRING FINISH: MATT TIN 2µm MIN, NON-PLATED EDGES PERMISSIBLE.

SAN HEAT SINK WITH ONE PIN HEIGHT, HEAT SINK CLIP HORN SHAPE LP & SOLID GASKET	2170539-5
ONLY SOLID GASKET	2170539-4
SAN HEAT SINK WITH TWO PIN HEIGHT, HEAT SINK CLIP NRMAL LP & HOLLOW GASKET	2170539-3
ONLY HOLLOW GASKET	2170539-2
SAN HEAT SINK WITH TWO PIN HEIGHT, HEAT SINK CLIP HORN SHAPE LP & SOLID GASKET	2170539-1
DESCRIPTION	PART NO

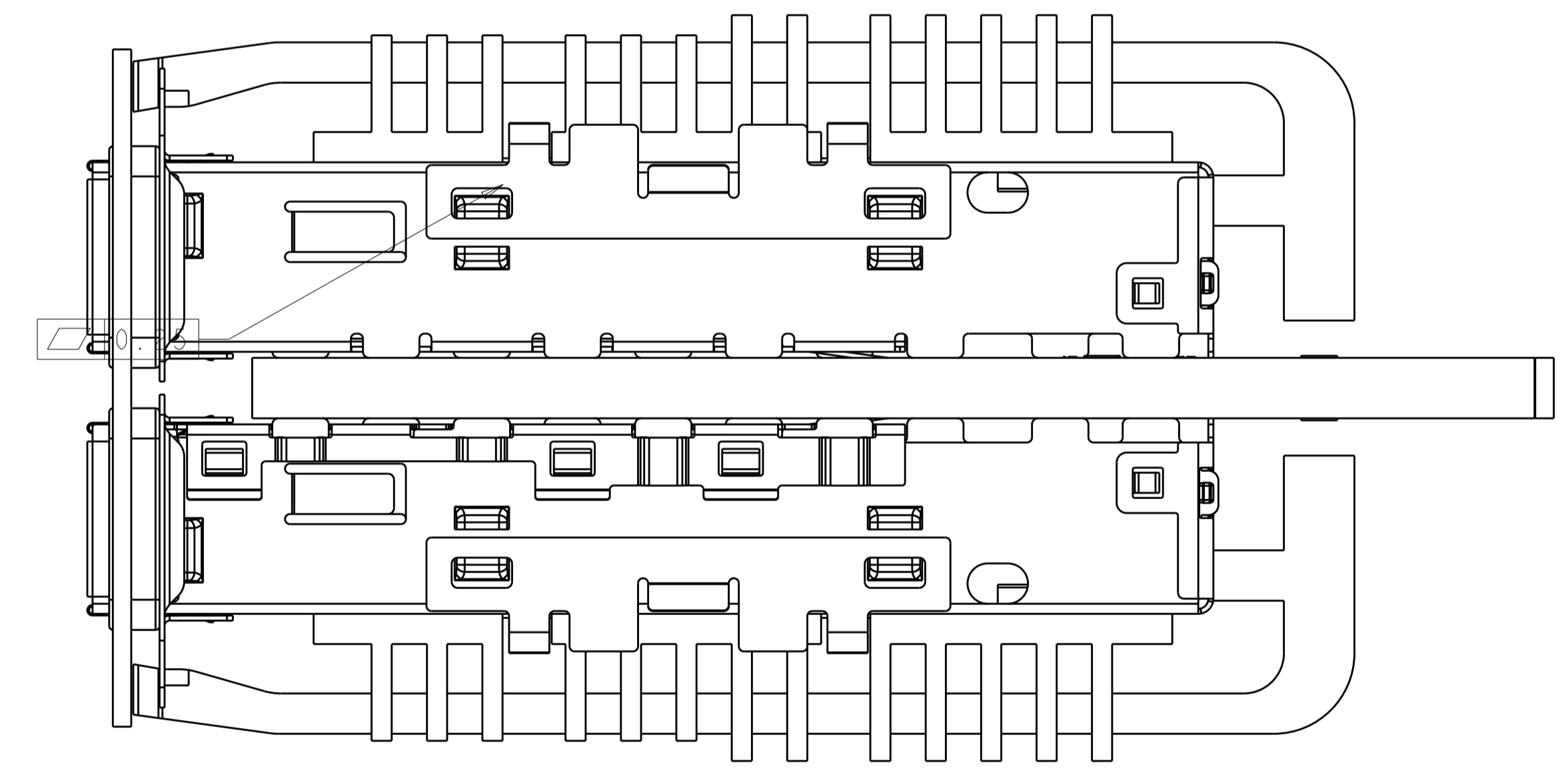
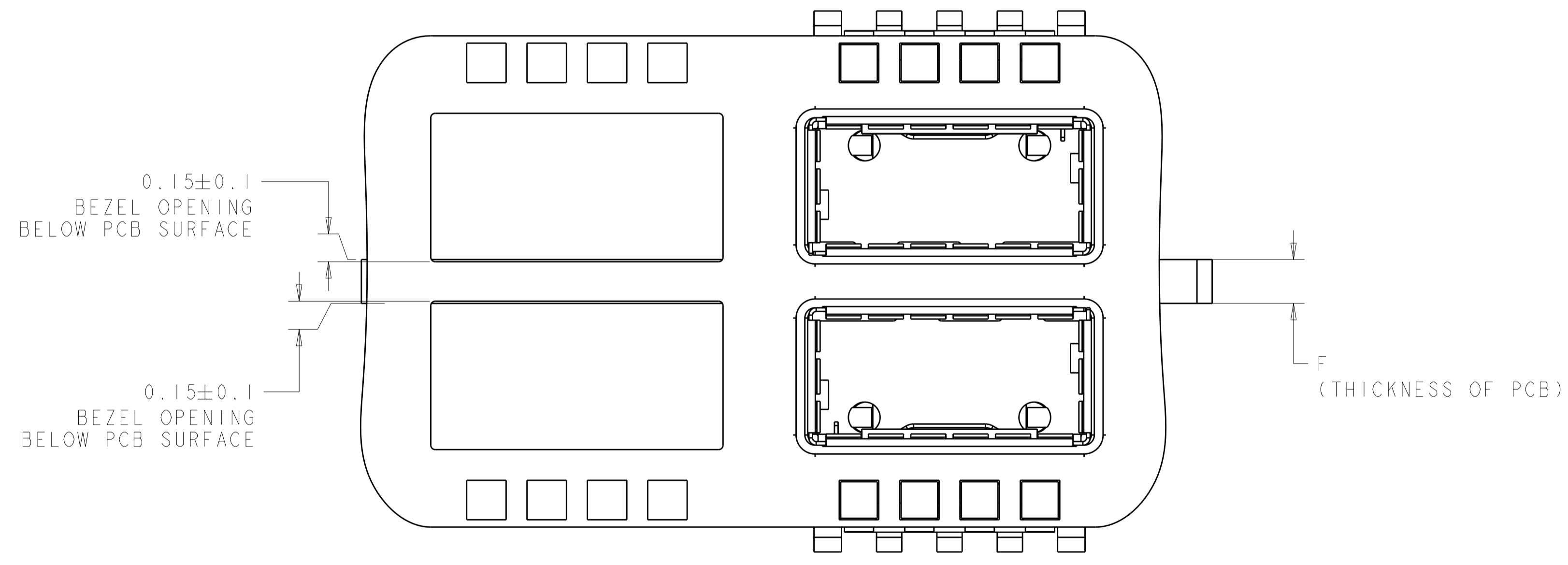
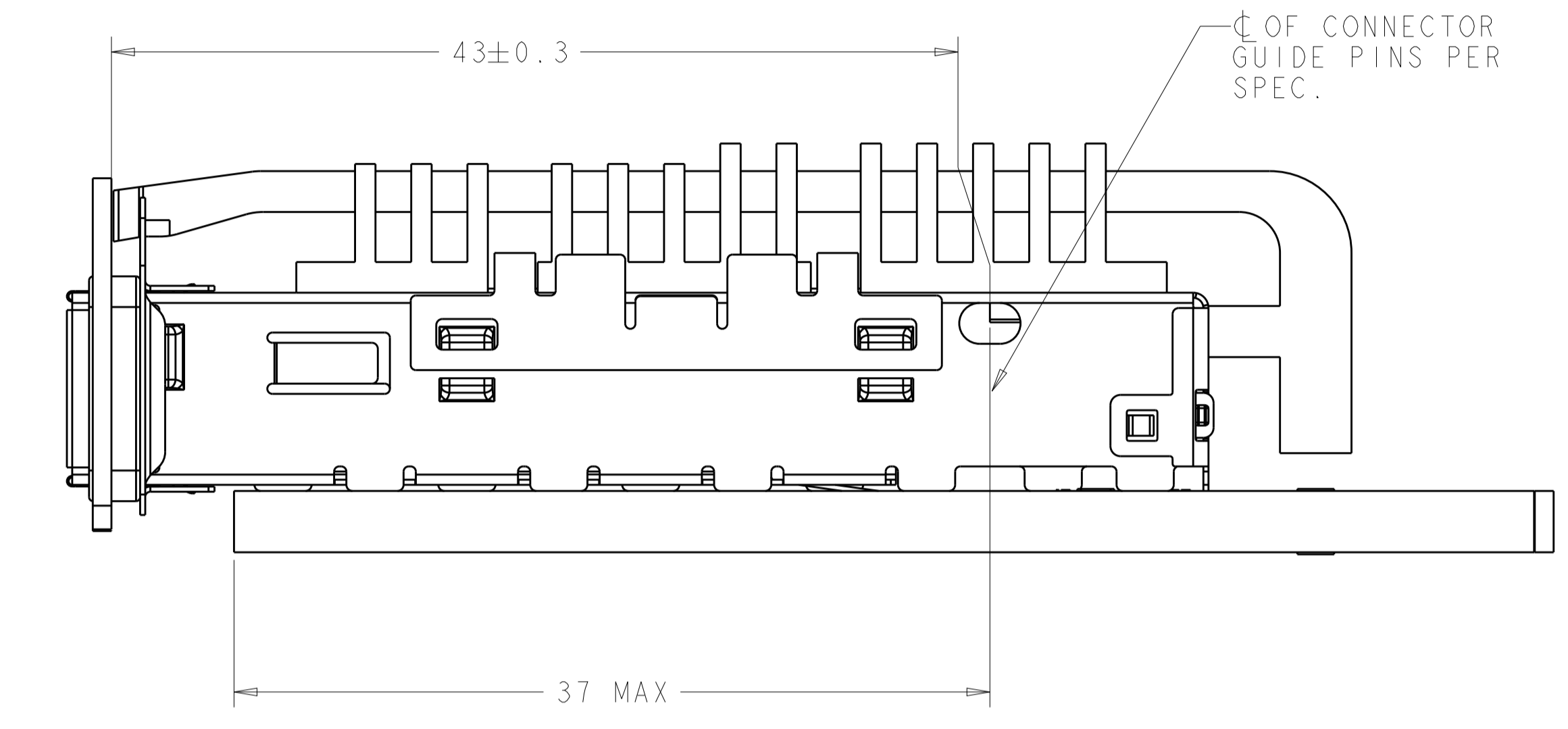
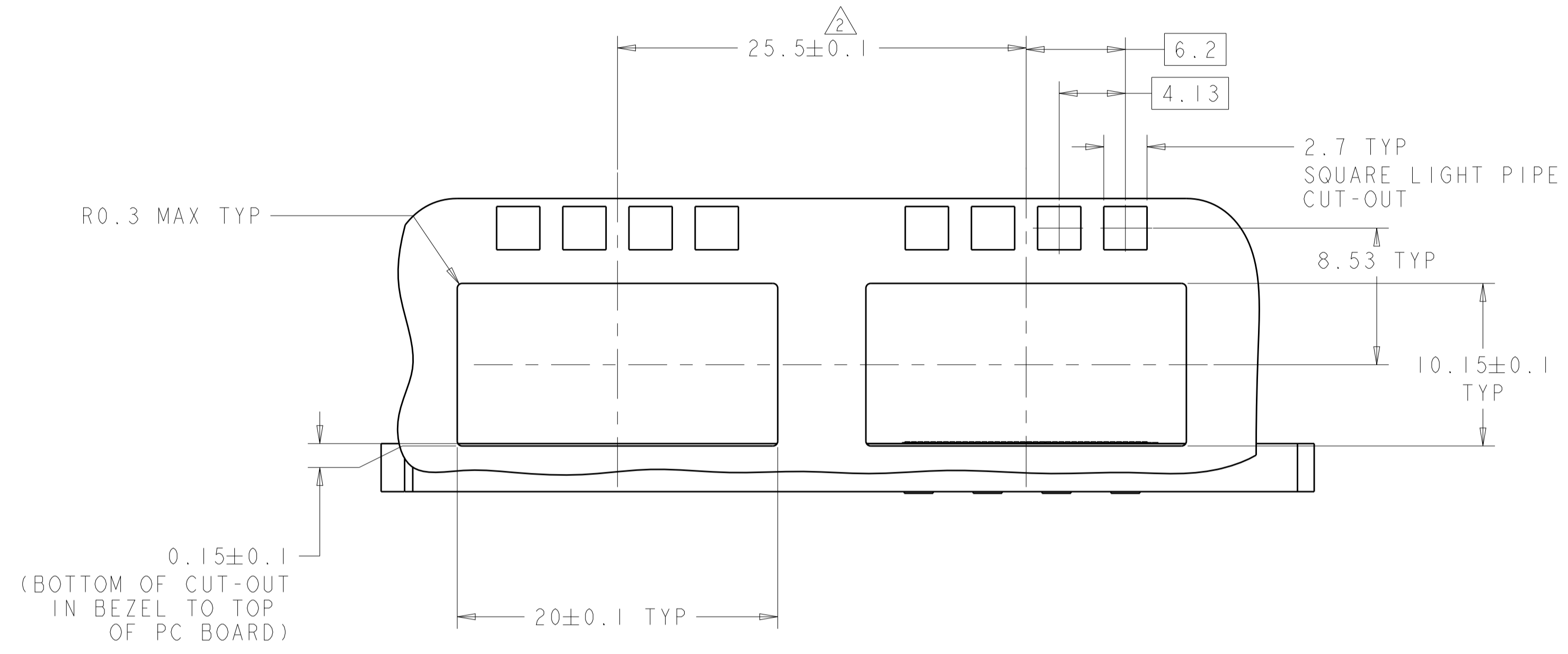
THIS DRAWING IS A CONTROLLED DOCUMENT.

DIMENSIONS:	TOLERANCES UNLESS OTHERWISE SPECIFIED:	OWN: TIM XUE 14MAY2013	CHK: JASON YANG 14MAY2013	APVD: AILEY CAI 14MAY2013	NAME: CAGE ASSEMBLY, QSFP+, W/ HEAT SINK, EMI GASKET AND LIGHT PIPE
mm	0 PLC ±0.5 1 PLC ±0.5 2 PLC ±0.13 3 PLC ±0.013 4 PLC ±0.001 ANGLES ±0.001	PRODUCT SPEC: 108-2286	APPLICATION SPEC: 114-13217	SIZE: A1	SCALE: 4:1
MATERIAL:	FINISH:	WEIGHT:	CUSTOMER DRAWING	RESTRICTED TO:	SHEET 1 OF 6

4805 (3/11)

LOC	DIST	REV	DATE	BY	APPV
		1			

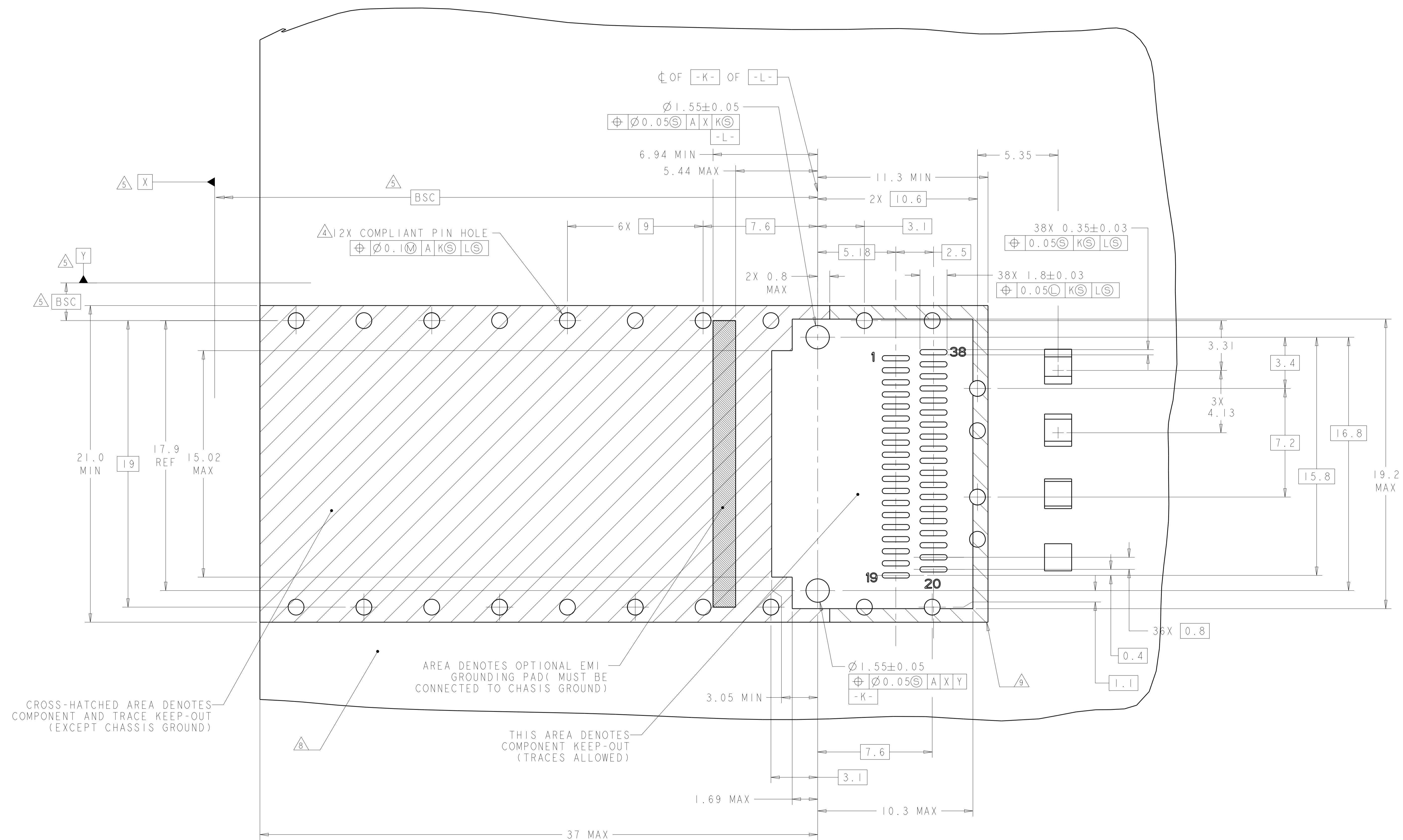
REVISIONS		DATE	BY	APPV
1	SEE SHEET 1			



SCALE 4:1

THIS DRAWING IS A CONTROLLED DOCUMENT.		OWN: TIM XUE 14MAY2013	
DIMENSIONS: mm		CHK: JASON YANG 14MAY2013	
TOLERANCES UNLESS OTHERWISE SPECIFIED:		APPV: AILEY CAI 14MAY2013	
0 PLC \pm 1 PLC ± 0.5 2 PLC ± 0.13 3 PLC ± 0.013 4 PLC ± 0.0001 ANGLES \pm		NAME: CAGE ASSEMBLY, QSFP+, W/ HEAT SINK, EMI GASKET AND LIGHT PIPE	
MATERIAL: -	FINISH: -	PRODUCT SPEC: 108-2286	SIZE: A100779
		APPLICATION SPEC: 114-13217	DRAWING NO: C=2170539
		WEIGHT: -	RESTRICTED TO: -
		Customer Drawing	SCALE: 4:1 SHEET 2 OF 6 REV A

LOC	DIST	REVISIONS			
P.	LTN	DESCRIPTION	DATE	DMN	APVD
-	-	SEE SHEET 1	-	-	-

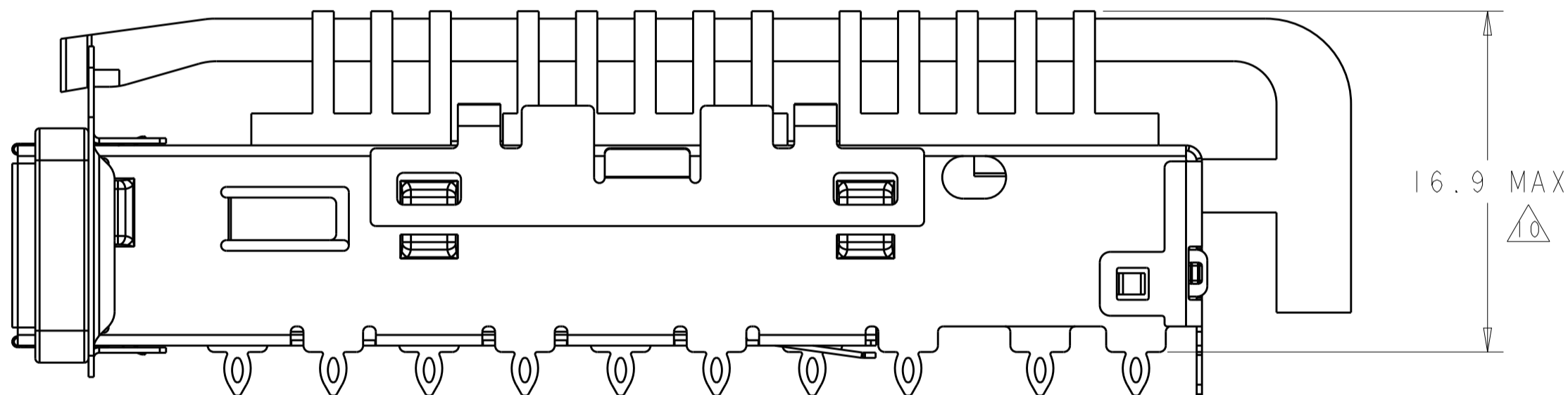


RECOMENDED PC BOARD LAYOUT
 SCALE 8:1

THIS DRAWING IS A CONTROLLED DOCUMENT.		DMN TIM XUE 14MAY2013	TE Connectivity
DIMENSIONS:		CHK JASON YANG 14MAY2013	
mm	TOLERANCES UNLESS OTHERWISE SPECIFIED:	APVD ALEX CAI 14MAY2013	NAME CAGE ASSEMBLY, QSPF+, W/ HEAT SINK, EMI GASKET AND LIGHT PIPE
ϕ \pm ± 0.5 ± 0.13 ± 0.013 ± 0.001 \pm	0 PLC 1 PLC 2 PLC 3 PLC 4 PLC ANGLES	PRODUCT SPEC 108-2286 APPLICATION SPEC 114-13217	SIZE A100779C=2170539
MATERIAL	FINISH	WEIGHT	RESTRICTED TO
-	-	-	Customer Drawing
SCALE 4:1		SHEET 3 OF 6	REV A

THIS DRAWING IS UNPUBLISHED. RELEASED FOR PUBLICATION 2011
 © COPYRIGHT 2011 TE Connectivity ALL RIGHTS RESERVED.

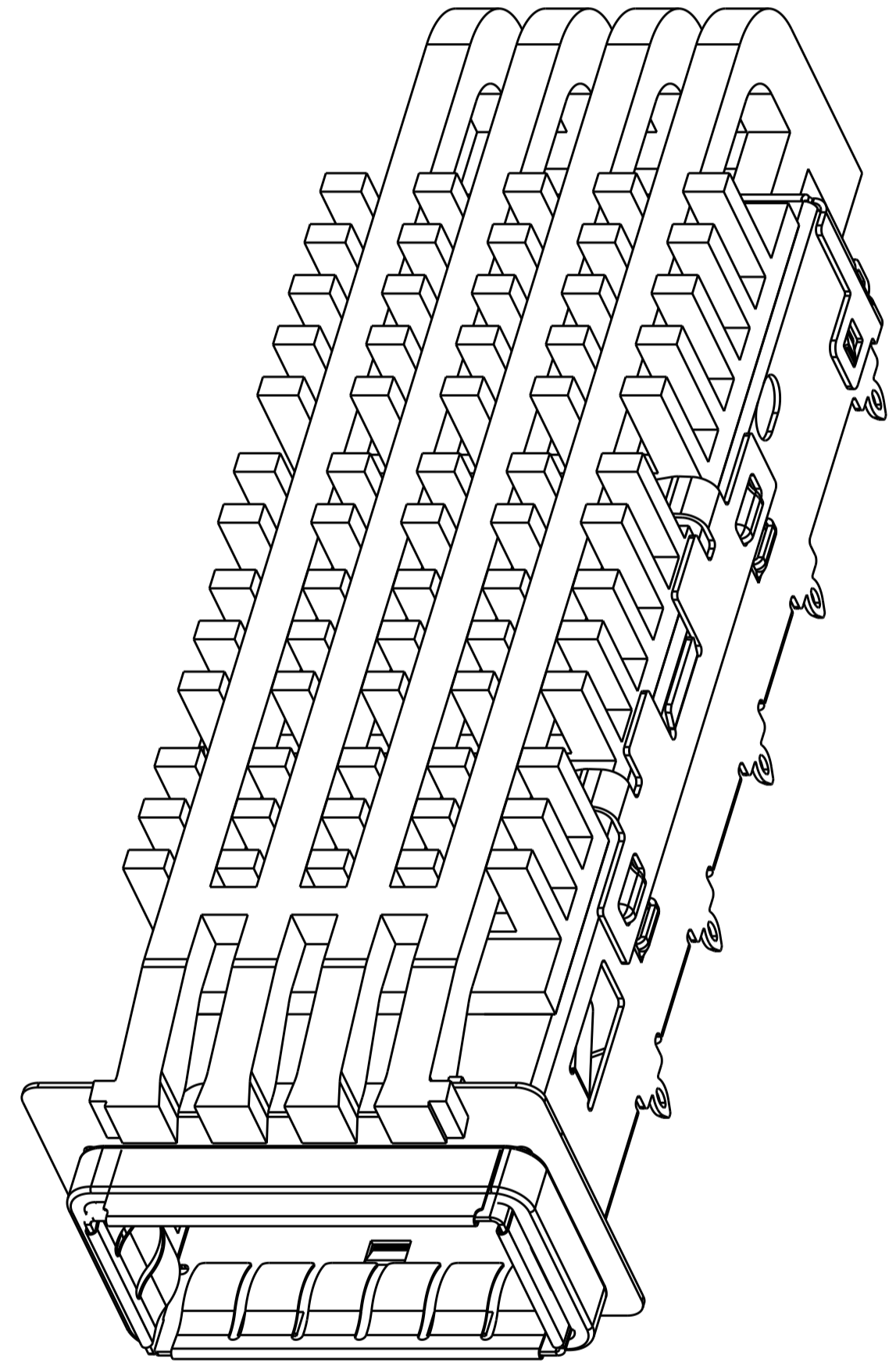
LOC	DIST	REVISIONS					
		P.	LTN	DESCRIPTION	DATE	DWN	APVD
		-		SEE SHEET 1	-	-	-



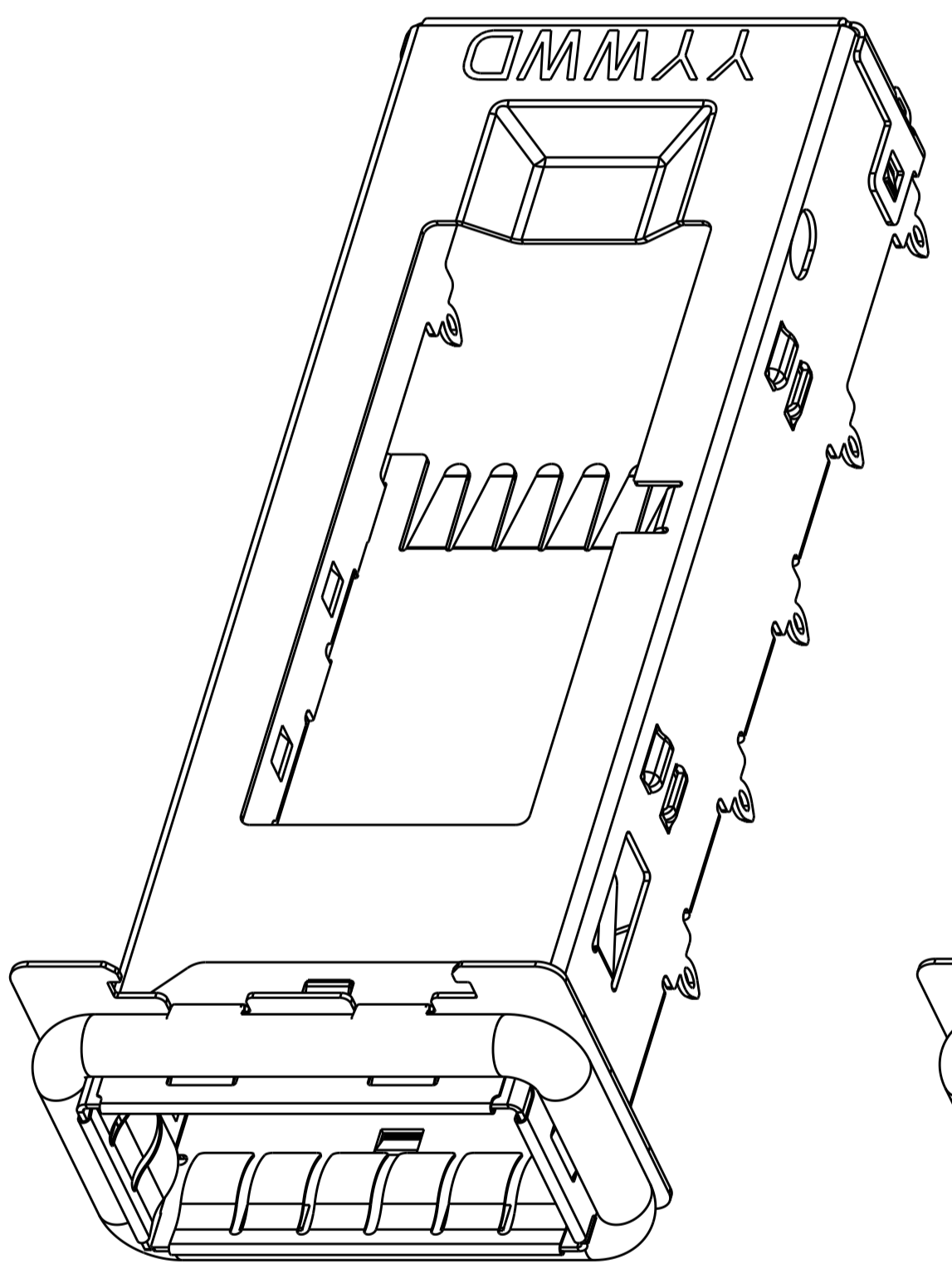
SCALE 4:1
 2170539-5
 EXCEPT INDICATED DIMENSION
 OTHER DIMENSIONS ARE SAME AS 2170539-1

THIS DRAWING IS A CONTROLLED DOCUMENT.		DWN	TIM XUE	14MAY2013	
DIMENSIONS:		CHK	JASON YANG	14MAY2013	
mm		APVD	ALEY CAI	14MAY2013	
TOLERANCES UNLESS OTHERWISE SPECIFIED: 0 PLC ± 1 PLC ±0.5 2 PLC ±0.13 3 PLC ±0.013 4 PLC ±0.001 ANGLES ±		NAME	CAGE ASSEMBLY, QSFP+, W/ HEAT SINK, EMI GASKET AND LIGHT PIPE		
		PRODUCT SPEC	108-2286		
MATERIAL		APPLICATION SPEC	114-13217		
FINISH		SIZE	CAGE CODE	DRAWING NO	RESTRICTED TO
-		WEIGHT	A100779C=2170539		
-		Customer Drawing	SCALE	4:1	SHEET 4 OF 6 REV A

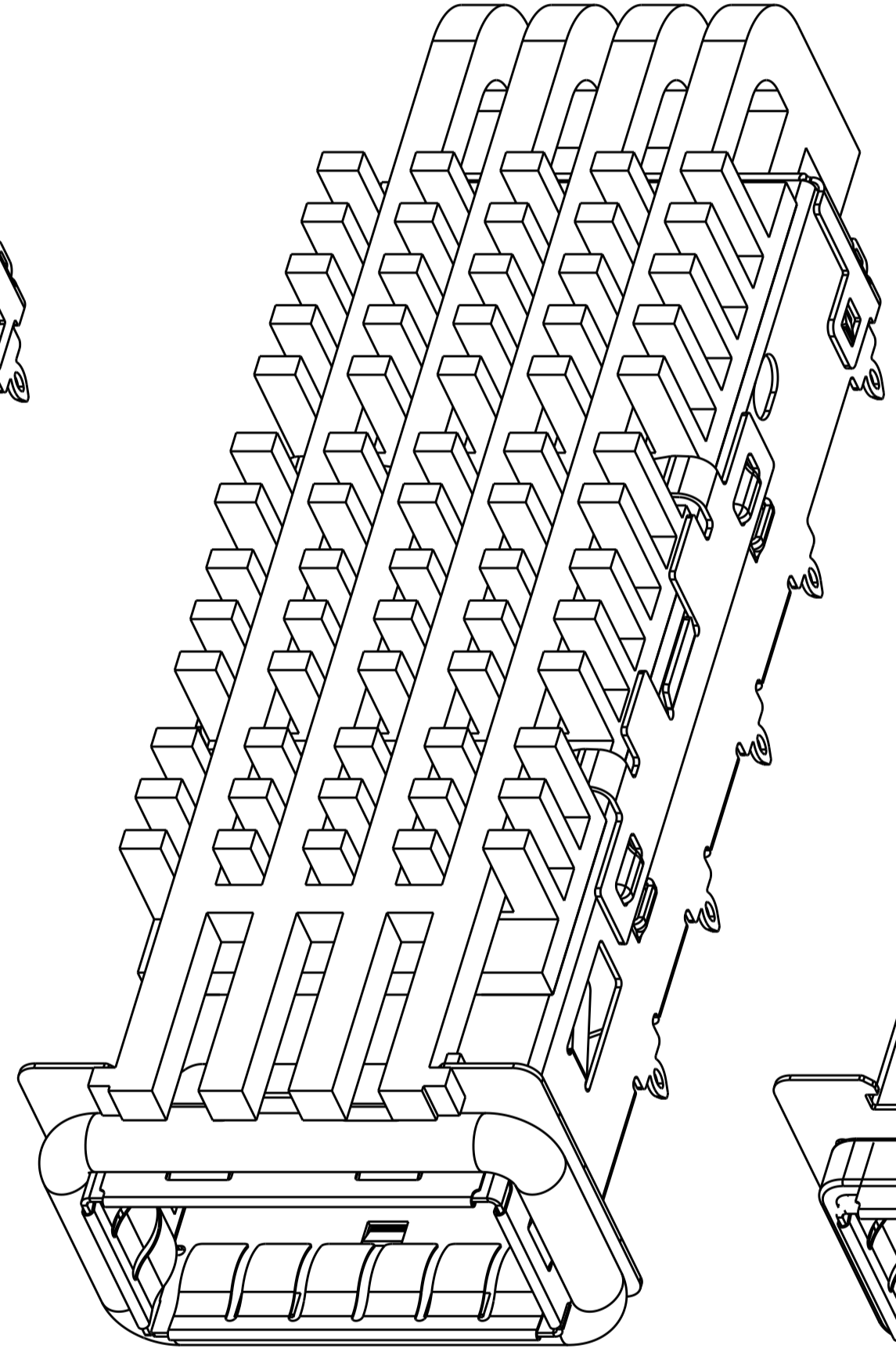
LOC	DIST	REVISIONS				
		P. LTR	DESCRIPTION	DATE	DWN	APVD
-	-	-	SEE SHEET 1	-	-	-



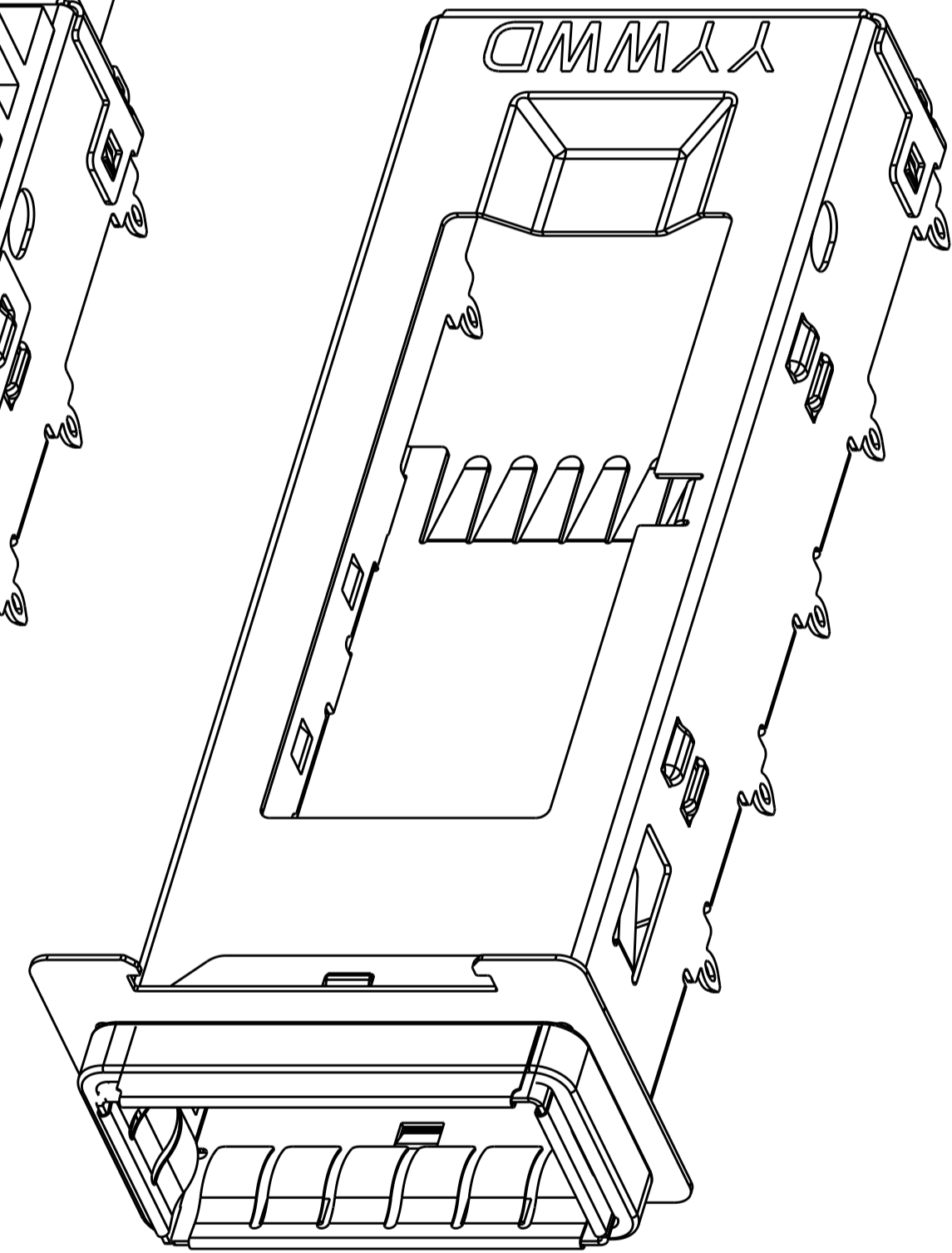
SCALE 4:1
2170539-1 AS SHOWN



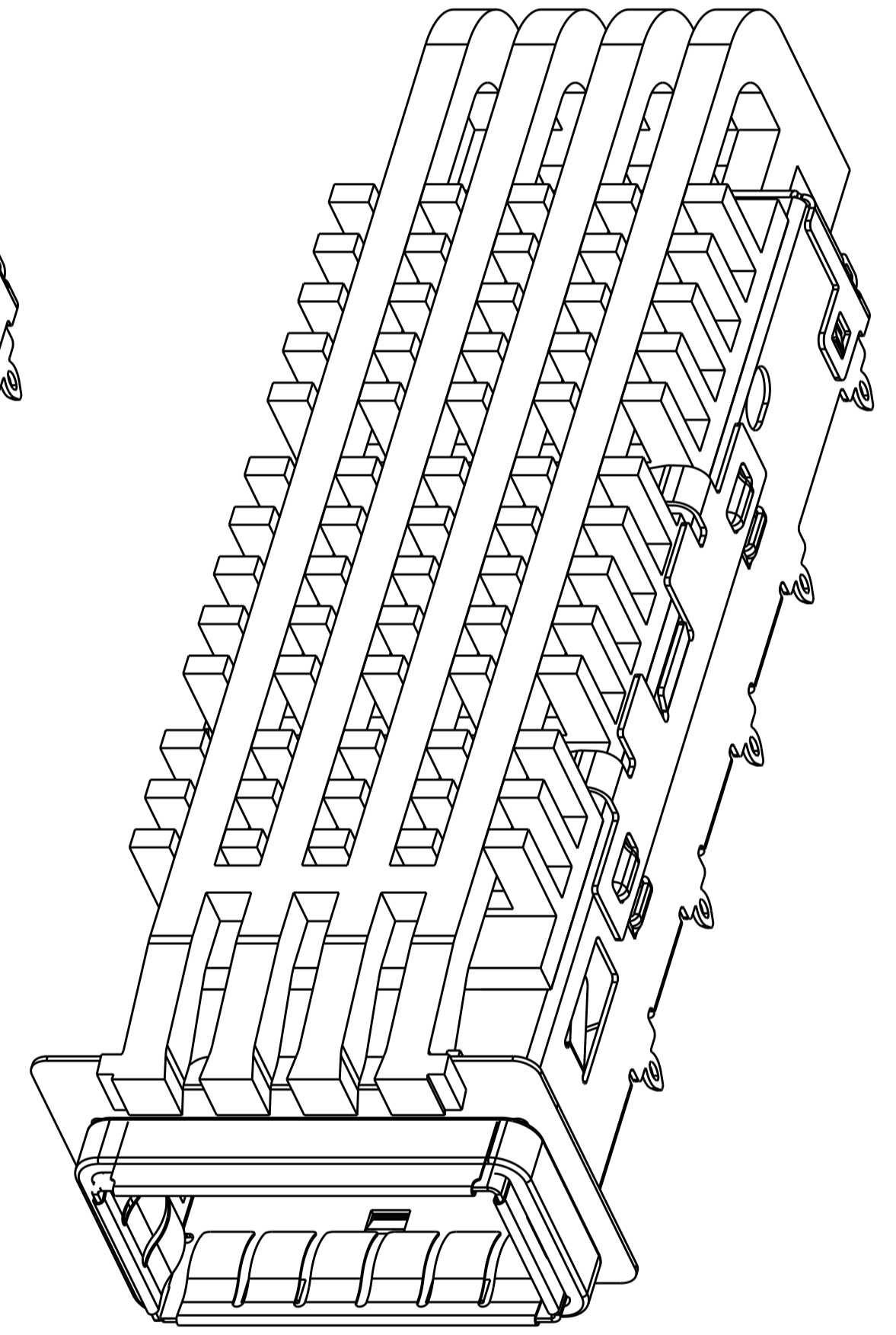
SCALE 4:1
2170539-2 AS SHOWN




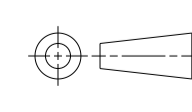
SCALE 4:1
2170539-3 AS SHOWN



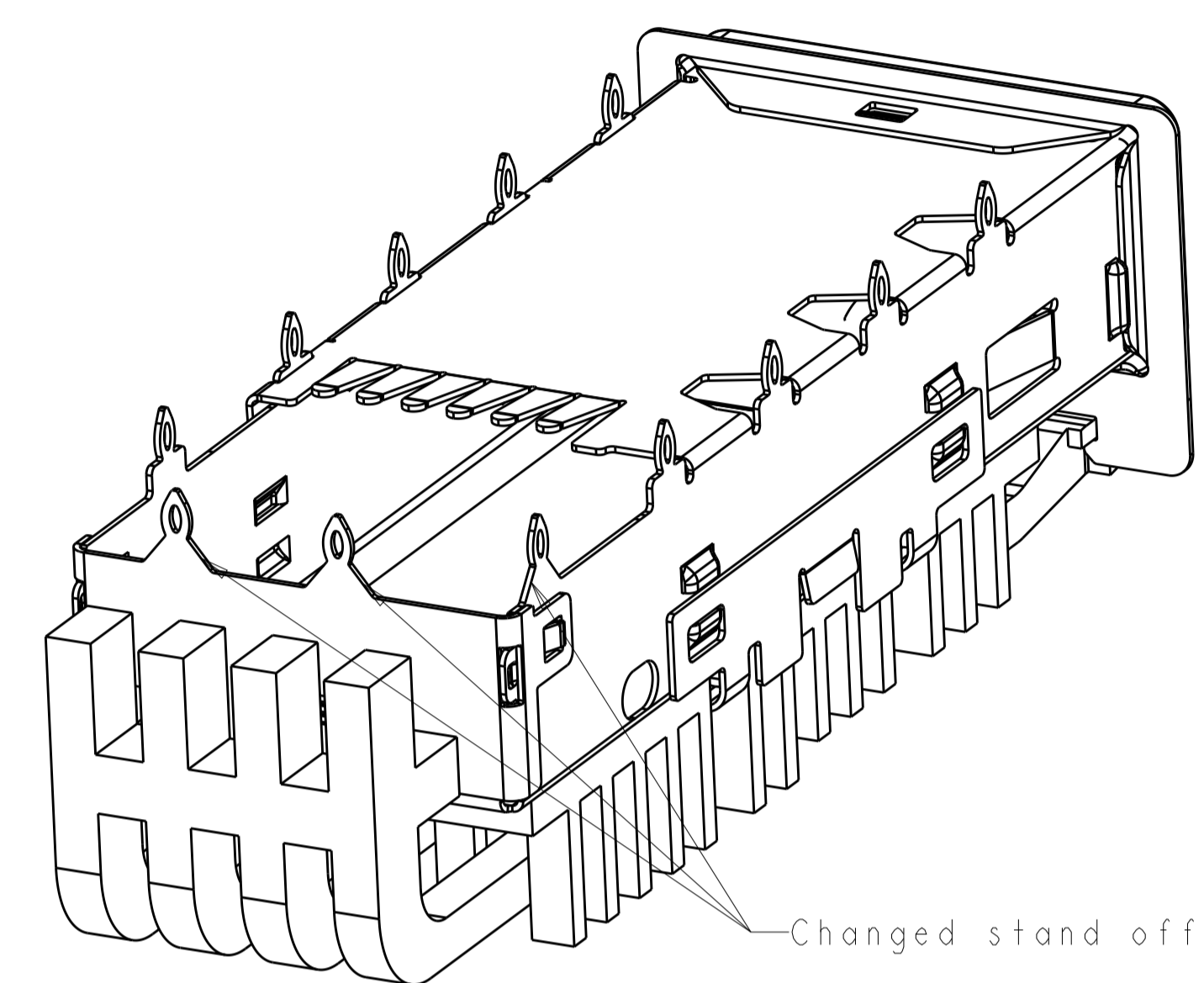
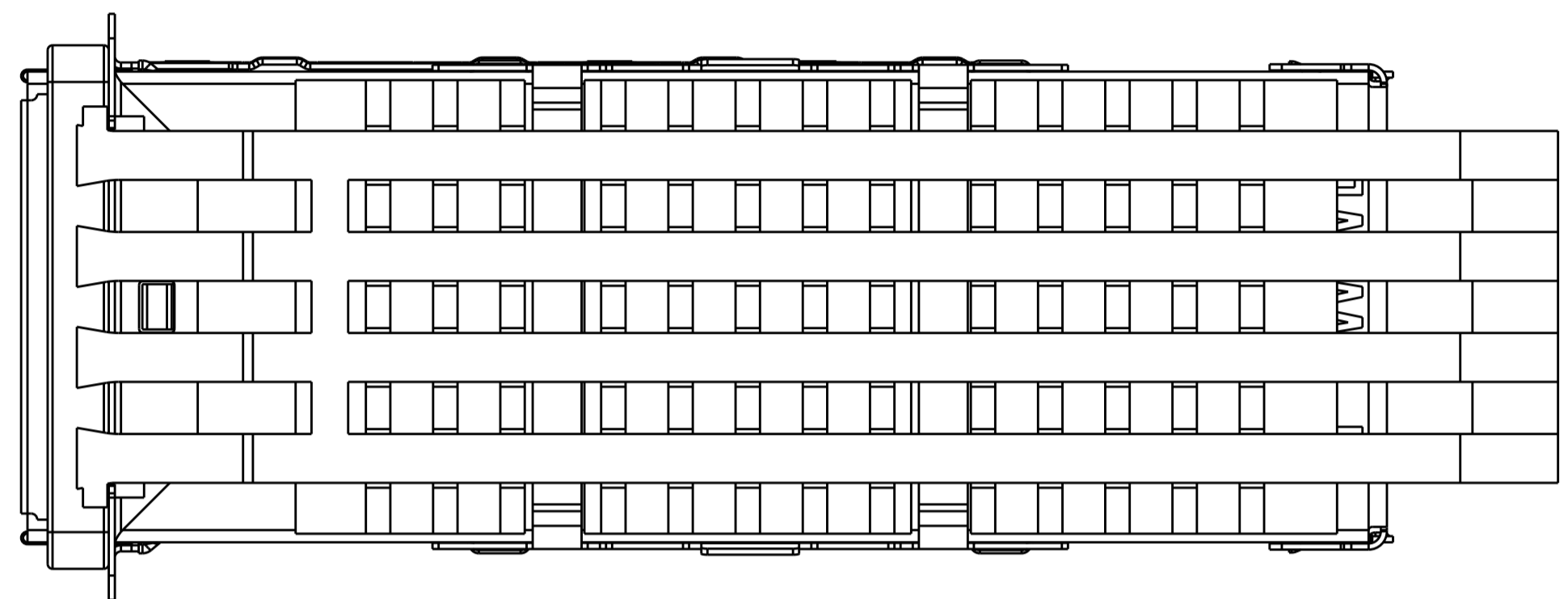
SCALE 4:1
2170539-4 AS SHOWN



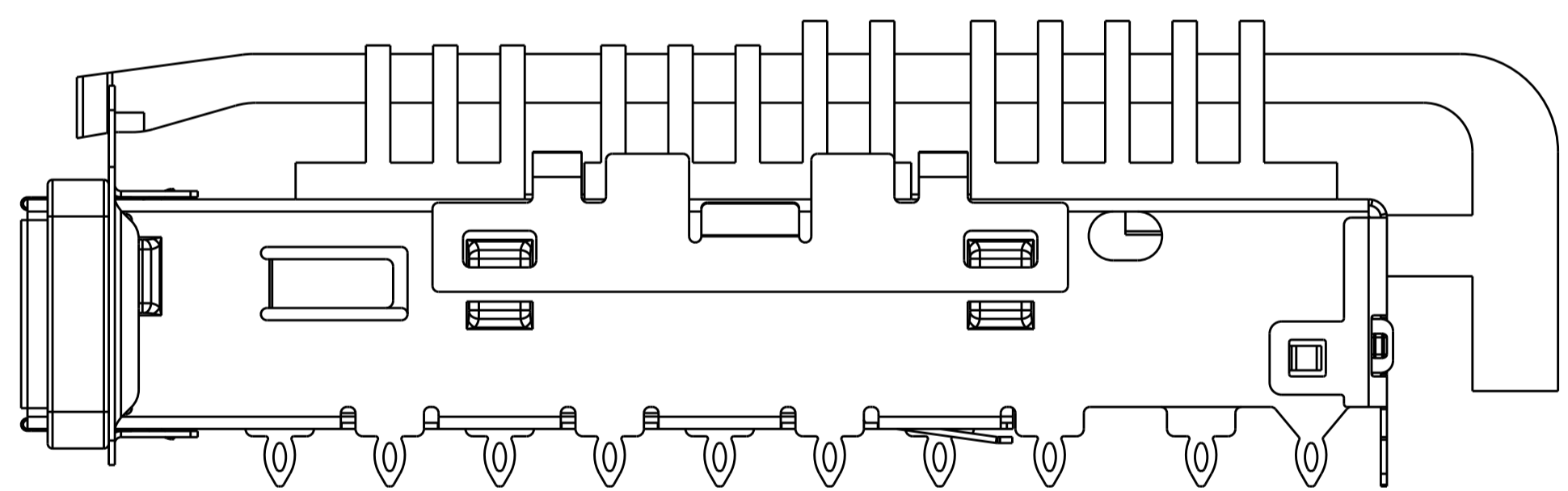
SCALE 4:1
2170539-5 AS SHOWN

THIS DRAWING IS A CONTROLLED DOCUMENT.		DWN TIM XUE 14MAY2013	 TE Connectivity
DIMENSIONS:		CHK JASON YANG 14MAY2013	
mm	TOLERANCES UNLESS OTHERWISE SPECIFIED:	APVD ALEX CAI 14MAY2013	NAME CAGE ASSEMBLY, QSFP+, W/ HEAT SINK, EMI GASKET AND LIGHT PIPE
	0 PLC ± 1 PLC ±0.5 2 PLC ±0.13 3 PLC ±0.013 4 PLC ±0.0001 ANGLES ±	PRODUCT SPEC 108-2286	SIZE 114-13217
MATERIAL	FINISH	APPLICATION SPEC 114-13217	RESTRICTED TO
-	-	WEIGHT	A100779C=2170539
-	-	Customer Drawing	SCALE 4:1 SHEET 5 OF 6 REV A

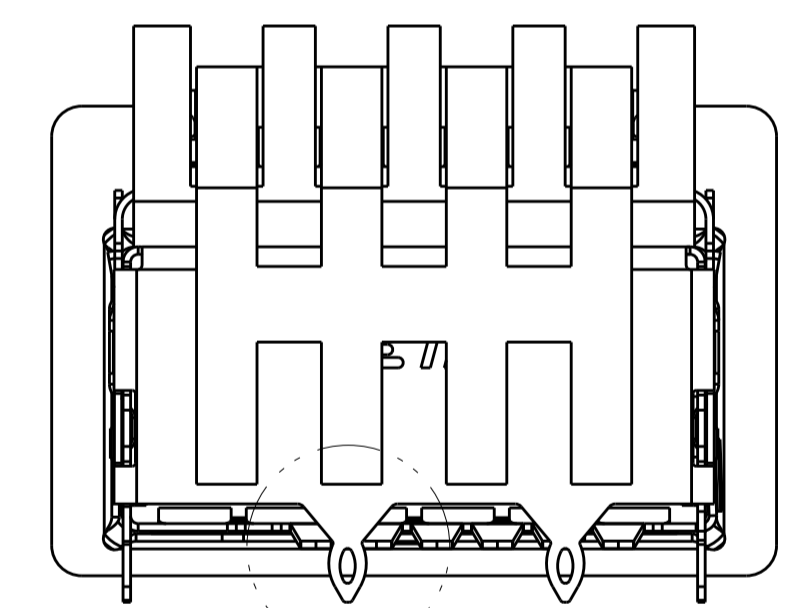
LOC	DIST	REVISIONS			
P.	LTN	DESCRIPTION	DATE	DMN	APVD
-	-	SEE SHEET 1	-	-	-



SCALE 4:1

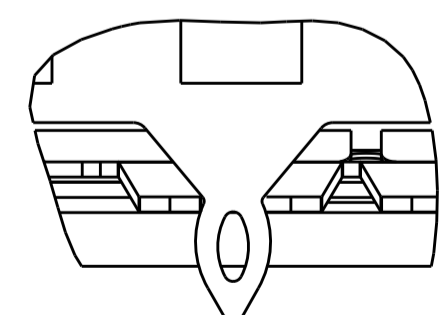


SCALE 4:1



SEE DETAIL A

2170539-6 ARE AS SHOWN, UN-SPECIFIED DIMENSIONS
 ALL REFER 2170539-1



DETAIL A
 SCALE 8:1

SAN HEAT SINK WITH TWO PIN HEIGHT, HEAT SINK CLIP HORN SHAPE LP & SOLID GASKET, CHANGED 3 STAND OFF SHAPE		2170539-6
DESCRIPTION		PART NO

THIS DRAWING IS A CONTROLLED DOCUMENT.		DMN TIM XUE 14MAY2013	
DIMENSIONS:		CHK JASON YANG 14MAY2013	
mm	0 PLC ±0.5	APVD ALEX CAI 14MAY2013	NAME CAGE ASSEMBLY, QSFP+, W/ HEAT SINK, EMI GASKET AND LIGHT PIPE
	2 PLC ±0.13	PRODUCT SPEC 108-2286	SIZE 114-13217
	3 PLC ±0.013	APPLICATION SPEC	RESTRICTED TO
	4 PLC ±0.0001	WEIGHT	A100779C=2170539
	ANGLES ±0.0001	Customer Drawing	SCALE 4:1 SHEET 6 OF 6 REV A
MATERIAL	FINISH		

单击下面可查看定价，库存，交付和生命周期等信息

[>>TE Connectivity\(泰科\)](#)