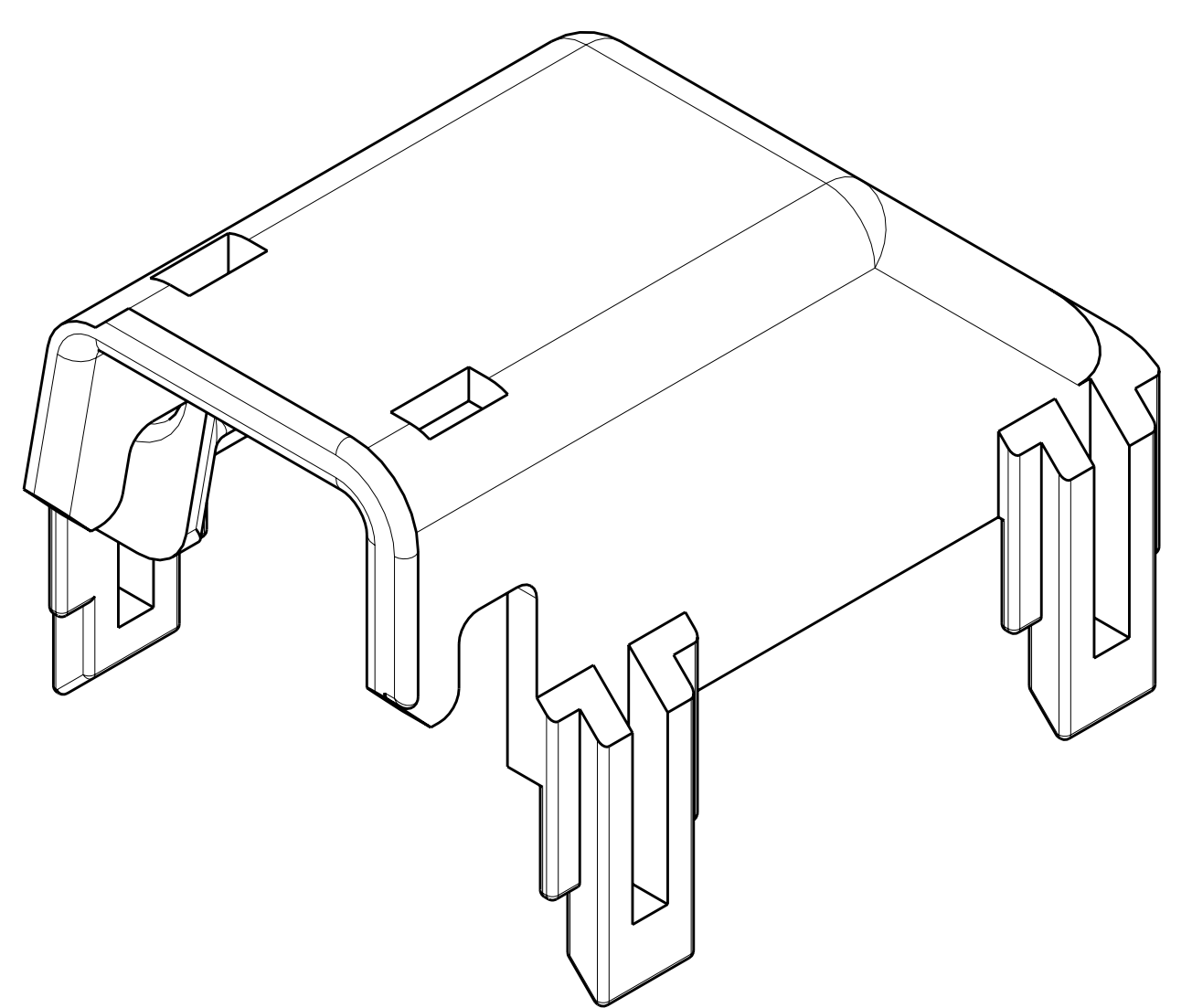
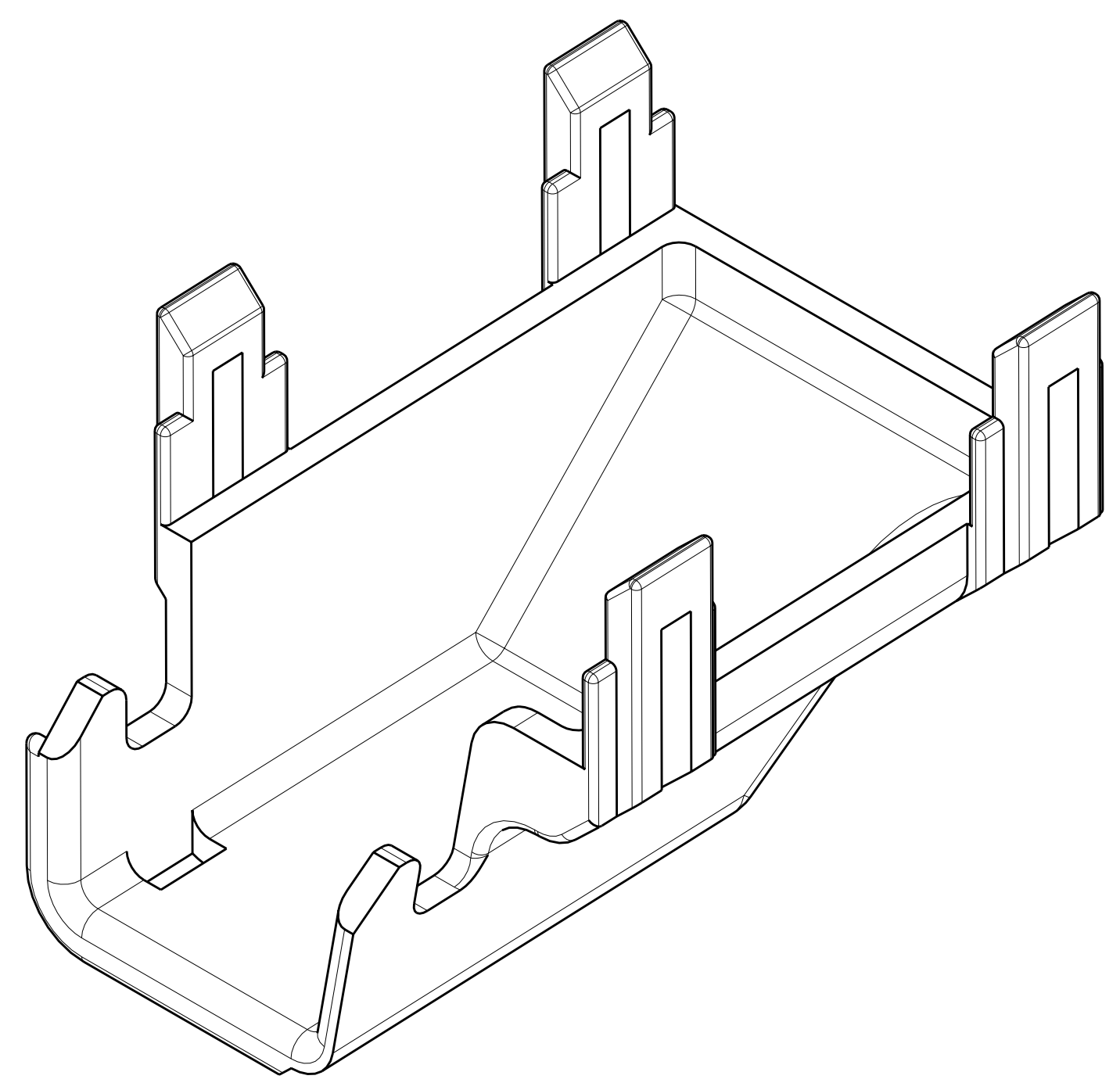
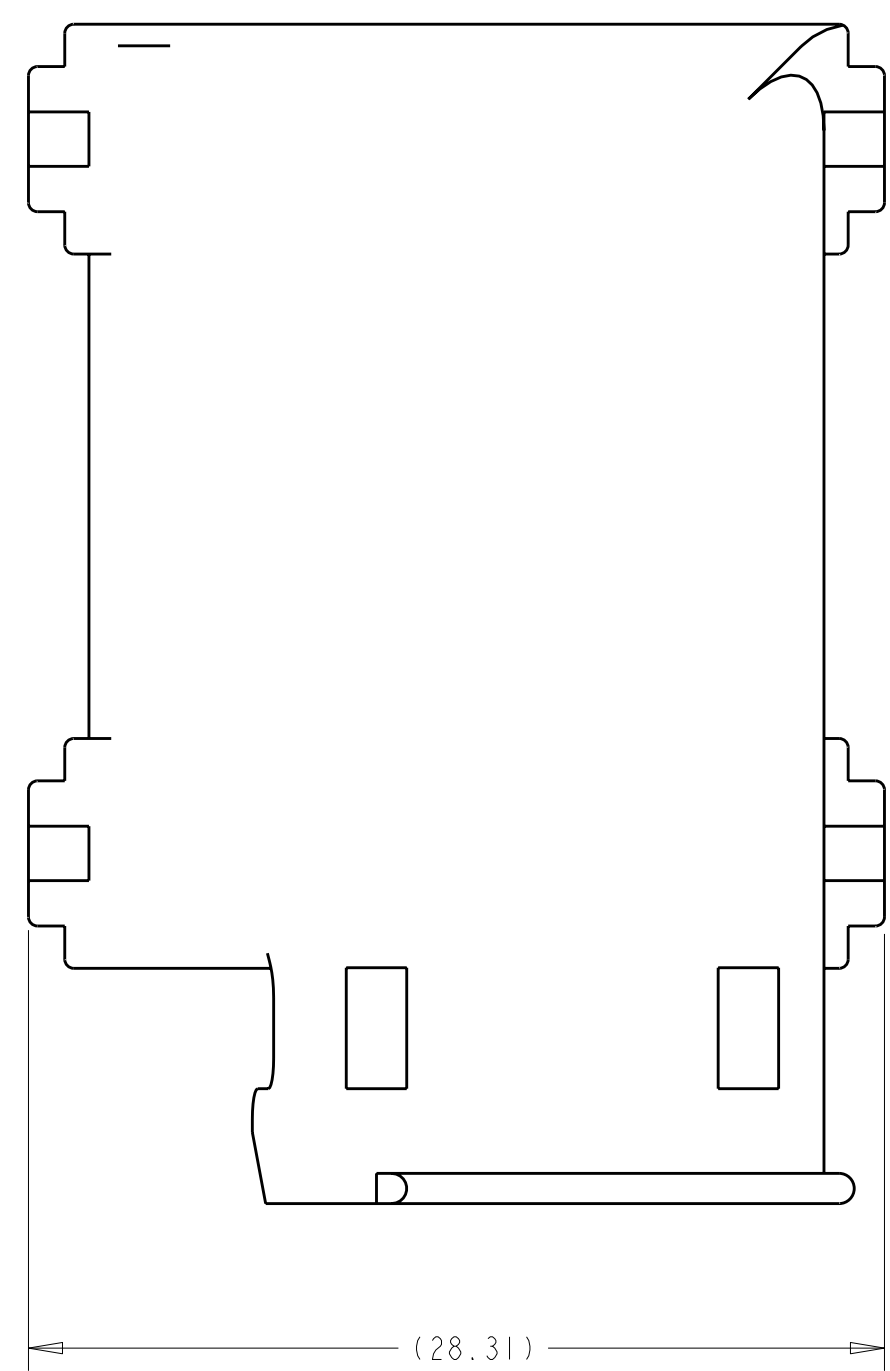
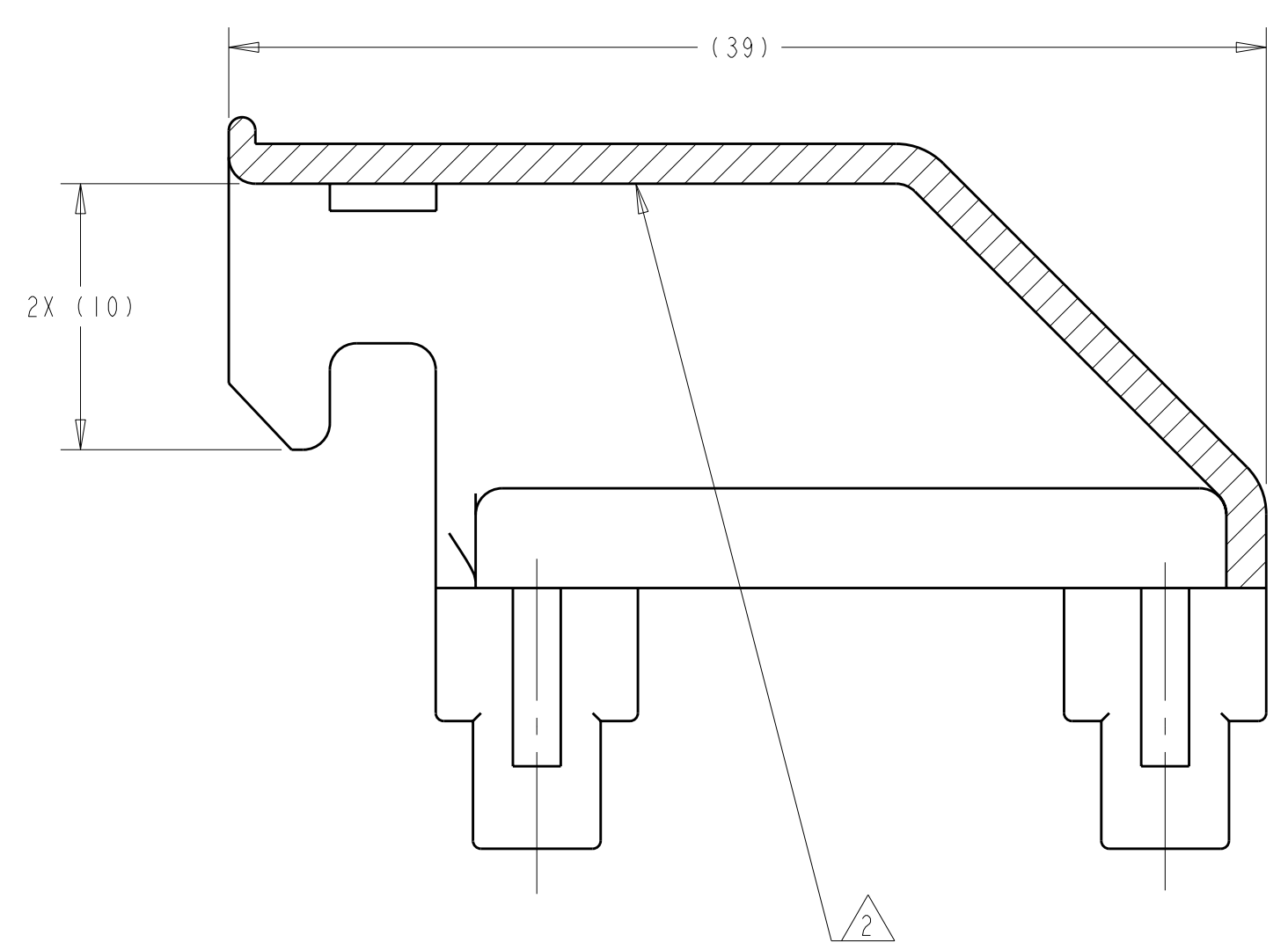
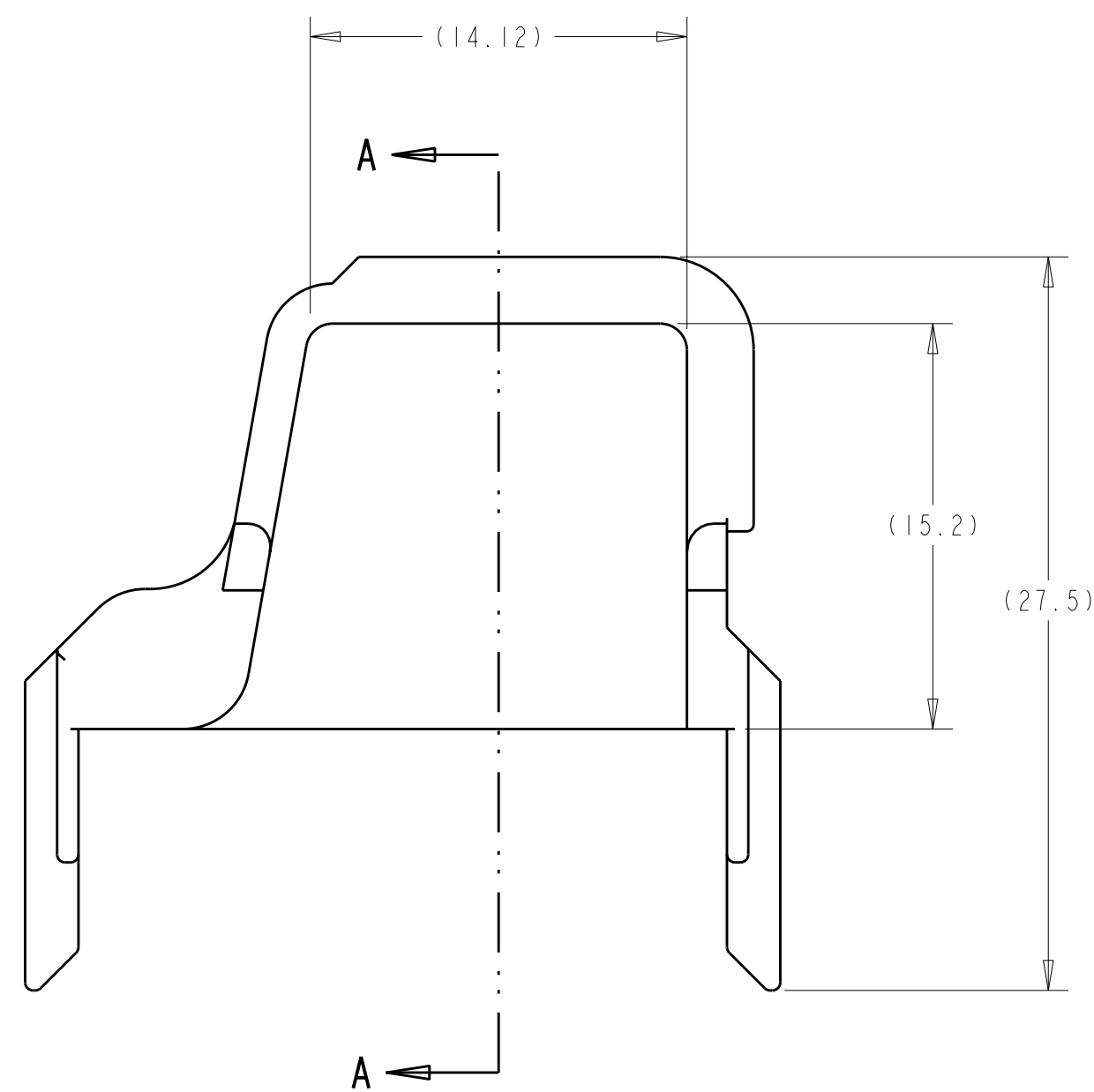
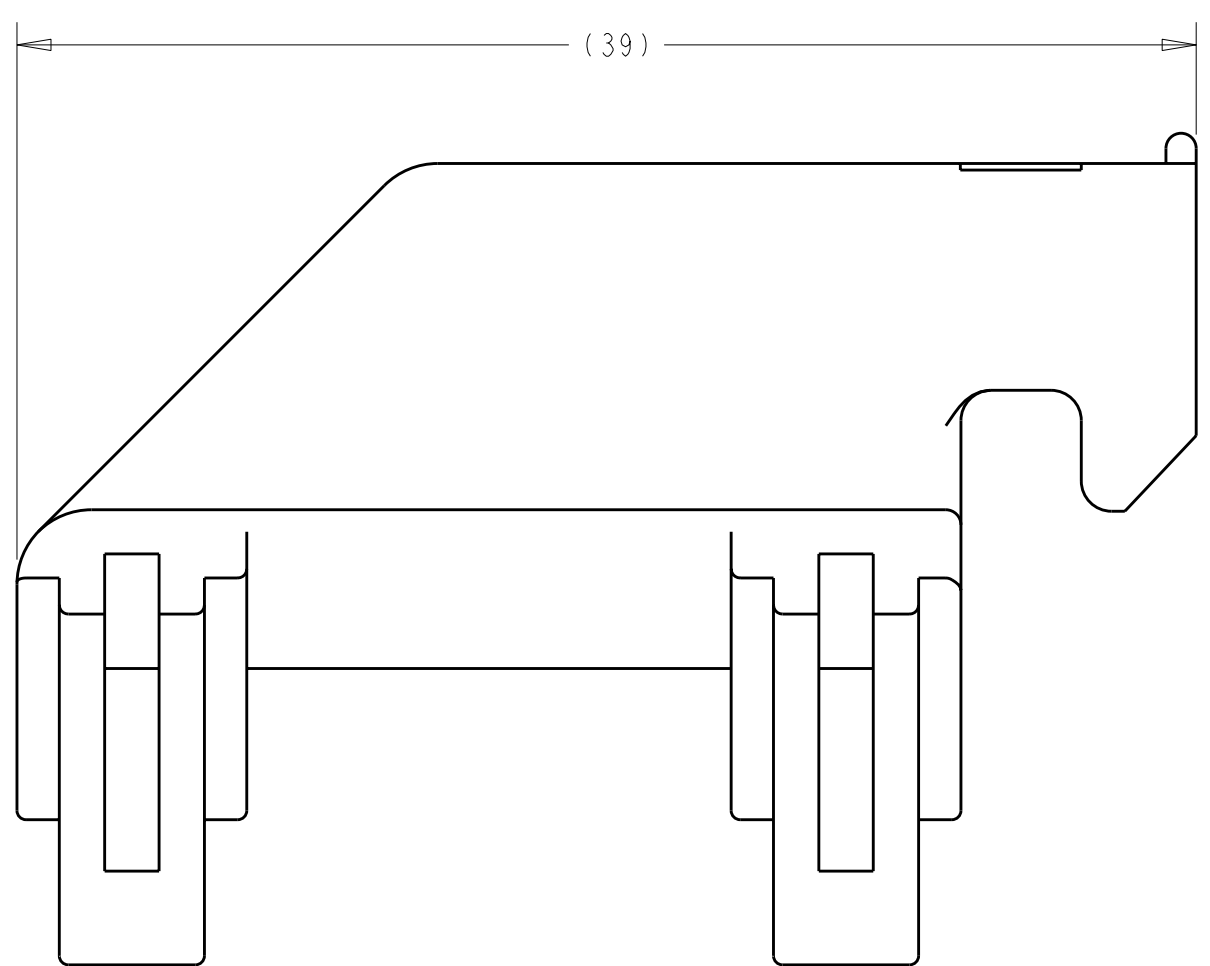


LOC	DIST	REVISIONS			
P	LTR	DESCRIPTION	DATE	DWN	APVD
FX	00	A	INITIAL RELEASE PER D08-093	15JUL2008	RGV WTW



- 1. MATERIAL: POLYPROPYLENE
COLOR: BLACK
- 2. MOLD FORD LOGO, PART NUMBER, CAVITY I.D. AND MATERIAL RECYCLING CODE LOCATED ON THIS SURFACE. FOR ALTERNATE PART NUMBERS AND/OR LOGOS CONTACT TYCO ELECTRONICS PRODUCT ENGINEER.
- 3. 25% MAXIMUM REGRIND.



SECTION A-A

>PP<		BLACK	IFIT-14N003-BA	8-1419157-8
MATERIAL		COLOR	CUSTOMER PART NO	PART NO
DIMENSIONS: mm 		TOLERANCES UNLESS OTHERWISE SPECIFIED: 0 PLC ± 1 PLC ± 2 PLC ± 3 PLC ± 4 PLC ± ANGLES ± FINISH ±		DWN R. VESTAL 15JUL2008 CHK W. WELLINSKY 15JUL2008 APVD W. WELLINSKY 15JUL2008 NAME PRODUCT SPEC APPLICATION SPEC WEIGHT 2.58g CUSTOMER DRAWING
Tyco Electronics Harrisburg, PA 17105-3608		Tyco Electronics Harrisburg, PA 17105-3608		RESTRICTED TO SCALE 4:1 SHEET 1 OF 1 REV A

单击下面可查看定价，库存，交付和生命周期等信息

[>>TE Connectivity\(泰科\)](#)