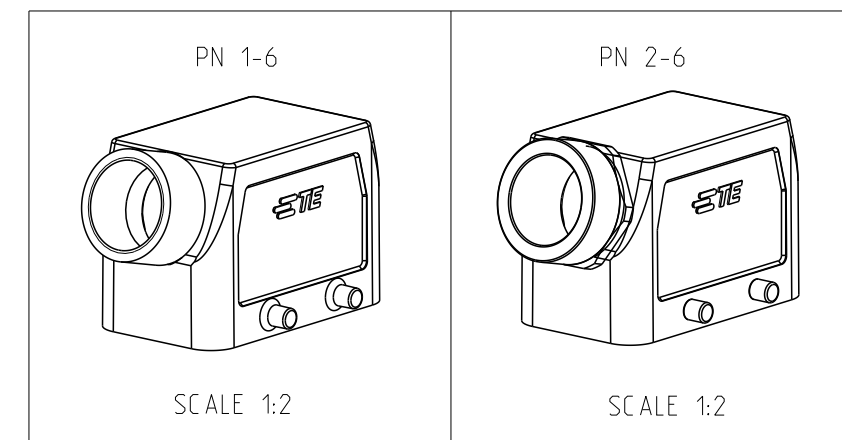


REVISIONS

P	LTR	DESCRIPTION	DATE	DWN	APVD
A3		Released as per ECR-07-030422	17.12.07	SP	
A4		REVISED PER ECR-17-013084	12JAN2018	SRG	MKO

NOTES.

- 1 Material:Housing:Aluminium Diecasting Alloy
- 2 Surface-Powder Varnish Grey
-Aluminium Oxide +
Varnish Black
- 3 Varnish on the inside not necessary
- 4 Packaging
Quantity 5 Pieces in a box



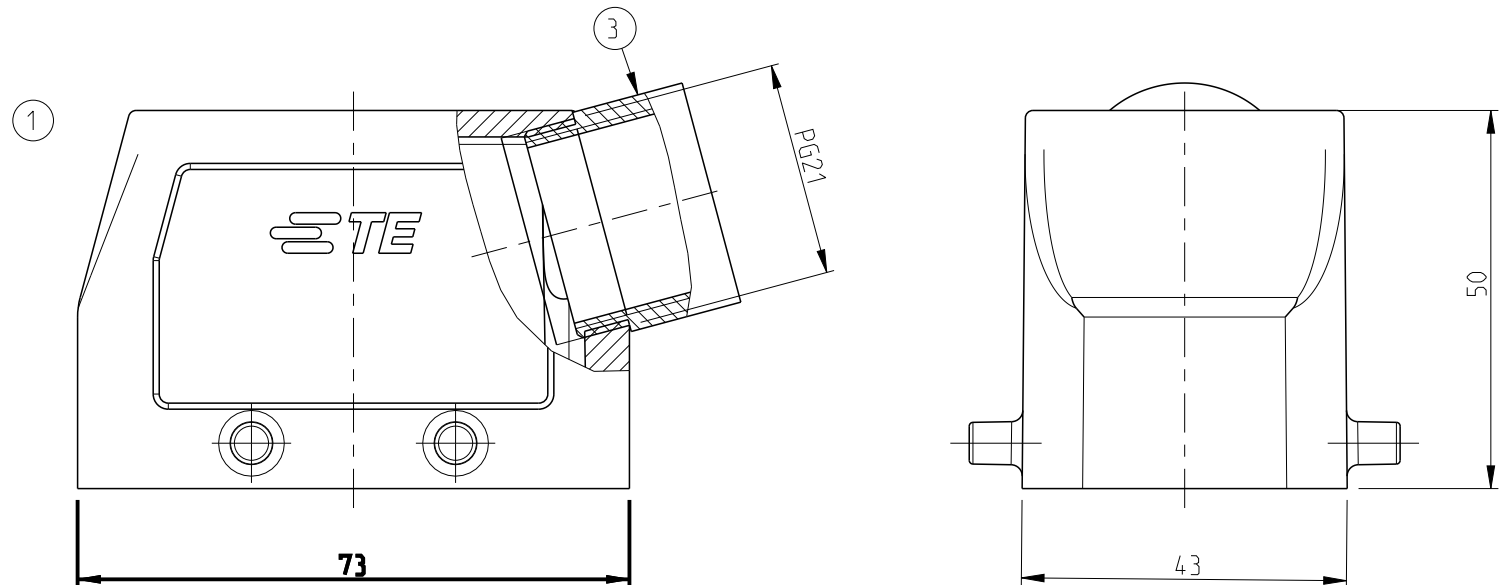
OBSOLETE

QTY	DESCRIPTION	MATERIAL	SURFACE	COLOR	ITEM NO	REMARKS
4	VS-Clip bolt	Stainless steel	Blank	-	6	
1	O Ring Ø26x2	Neoprene	-	Black	5	
1	6-Kt-Adaptor PG21	Brass	Nickel plated	-	4	
1	Adaptor round PG21	Brass	Nickel plated	-	3	
1	Hood HB.10.PG.1.21	Aluminium	Aluminium oxide	Black	2	
1	Hood HB.10.PG.1.21	Aluminium	-	Grey	1	

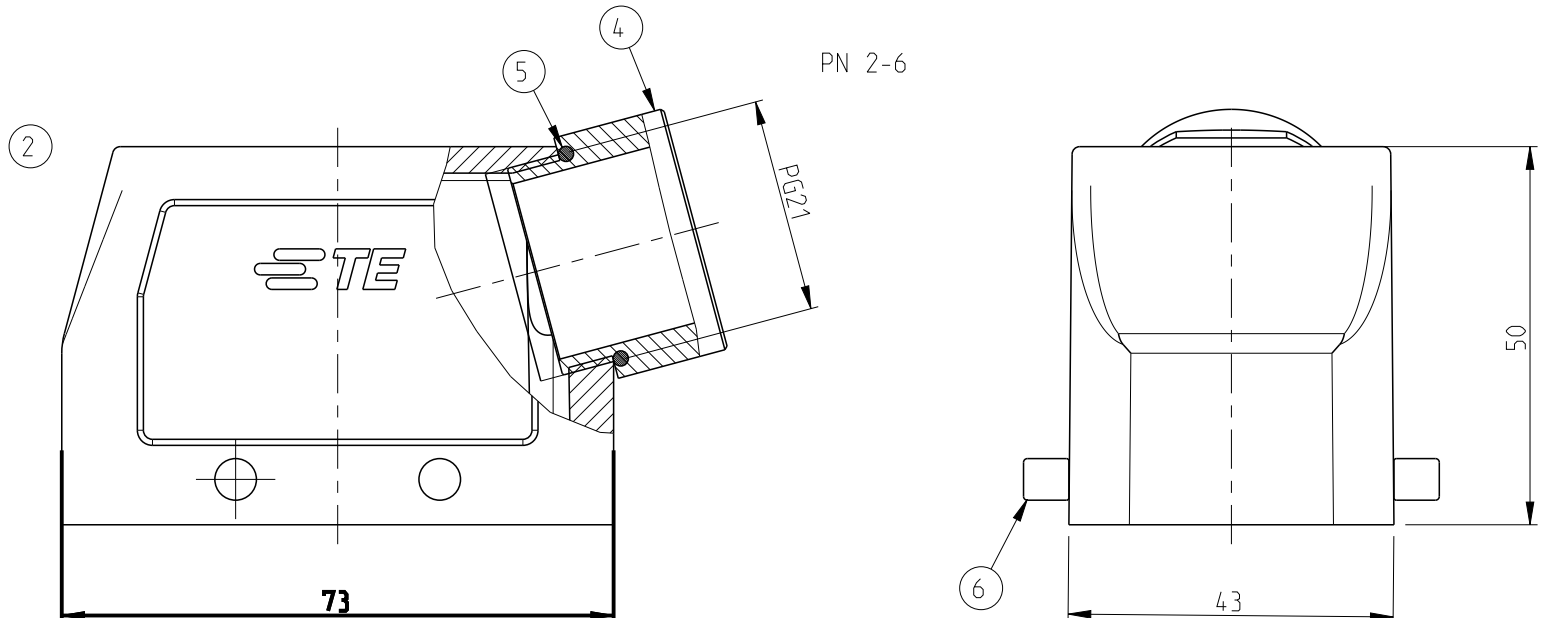
ORDERING TEXT

HB.10.STS.1.21.Z
HB-K.10.STS.1.21.Z

PN 1-6



PN 2-6



THIS DRAWING IS A CONTROLLED DOCUMENT.

DIMENSIONS: mm		TOLERANCES UNLESS OTHERWISE SPECIFIED: n-ISO 2768-mS-E n-DIN 15901-120	
		0 PLC	±
		1 PLC	±
		2 PLC	±
		3 PLC	±
		4 PLC	±
		ANGLES	±
MATERIAL - material_2		FINISH - finish_spec_2	

DWN	Kramer	11.05.98
CHK	-	-
APVD	-	-
PRODUCT SPEC	114-74004	
APPLICATION SPEC	108-74003	
WEIGHT	-	

		TE Connectivity	
		NAME Hood HB.10.STS.1.21.Z	
SIZE	CAGE CODE	DRAWING NO	RESTRICTED TO
A3	00779	©=1102263	
CUSTOMER DRAWING		SCALE	SHEET
		1:1	1 OF 1
			REV A4

单击下面可查看定价，库存，交付和生命周期等信息

[>>TE Connectivity\(泰科\)](#)