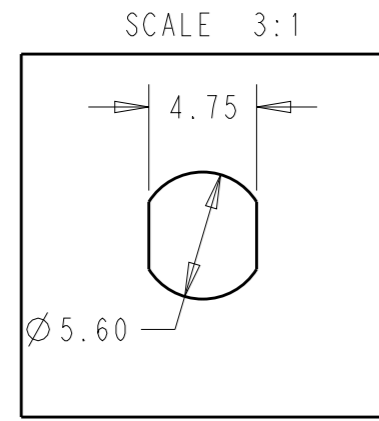
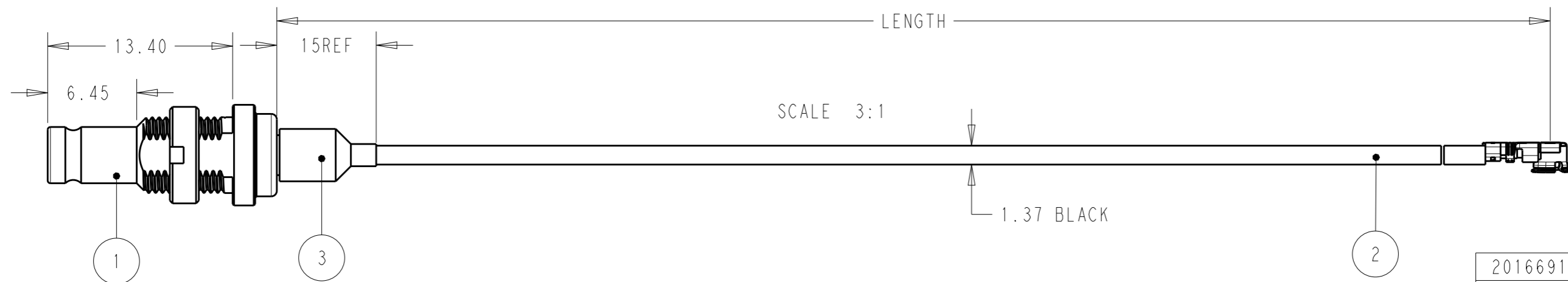
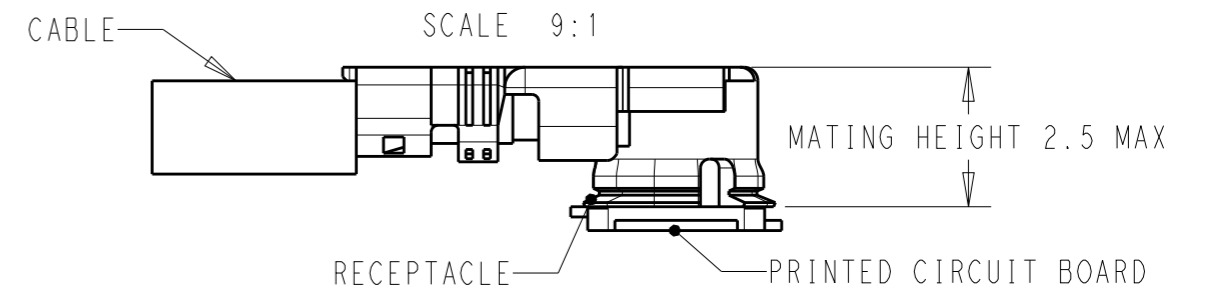


P	LTR	DESCRIPTION	DATE	DWN	APVD
	A	INITIAL CREATED	23DEC2019	CL	RS



RECOMMENDED PANEL HOLE



NOTES:

- MATERIAL AND PROCESSING MUST MEET REQUIREMENTS OF TEC-138-702
- 1.0-2.3 BULKHEAD NEED ASSEMBLY NUT
- PRODUCT RATING:
 TEMPERATURE: -45°C TO +85°C
 VOLTAGE: 30V (RMS)
 CHARACTERISTIC IMPEDANCE: 50 OHMS Normal
 FREQUENCY RANGE: DC TO 6GHz
 BEND RADIUS: 7MM MIN
- CABLE ASSEMBLY TO BE 100% SI TESTED
 VSWR:
 1.3:1 MAX @ DC~1000MHz
 1.5:1 MAX @ 1000~4000MHz
 2.0:1 MAX @ 4000~6000MHz
 INSERT LOSS:
 (2.60*LENGTH+0.4)dB MAX @2GHz
 LENGTH UNIT IS METER IN THE FORMULA
- 1.0-2.3 INTERFACE FOLLOW IEC 61169-29
 UMCC GEN1 CAN MATE WITH I-PEX MHF1 SERIES AND HIROSE U.FL SERIES

2016691-9	500±5
2016691-8	450±5
2016691-7	350±5
2016691-6	300±3
2016691-5	250±3
2016691-4	200±3
2016691-3	150±3
2016691-2	100±3
2016691-1	50+3
PART NUMBER	LENGTH

PC	Q'TY	UNIT	DESCRIPTION	ITEM
PC	1		HEAT SHRINK TUBE	3
PC	0.5		RF CA,UMCC GEN1 BOTH END, WITH 1.37CABLE	2
PC	1		1.0/2.3 BULKHEAD, FOR 1.37 CABLE	1

THIS DRAWING IS A CONTROLLED DOCUMENT.		DWN 04MAR2019 Cedar Liu			
DIMENSIONS: mm		CHK 04MAR2019 Roger Song			
TOLERANCES UNLESS OTHERWISE SPECIFIED:		APVD -		NAME RF CA, 1.0-2.3 BULKHEAD TO UMCC GEN1 WITH 1.37CABLE	
0 PLC ±-		PRODUCT SPEC -		SIZE A3	
1 PLC ±0.5		APPLICATION SPEC -		CAGE CODE 00779	
2 PLC ±0.13		WEIGHT -		DRAWING NO C-2016691	
3 PLC ±0.013		RESTRICTED CUSTOMER		RESTRICTED TO	
4 PLC ±0.0001		SCALE 1:1		SHEET 1 OF 1	
ANGLES ±-		FINISH -		REV A	
MATERIAL TBD		finish_spec_2			

单击下面可查看定价，库存，交付和生命周期等信息

[>>TE Connectivity\(泰科\)](#)