

THIS DRAWING IS UNPUBLISHED. RELEASED FOR PUBLICATION
 © COPYRIGHT - By - ALL RIGHTS RESERVED.

LOC		DIST		REVISIONS					
G		14		P	LTR	DESCRIPTION	DATE	DWN	APVD
				R		REVISED PER ECO-14-015277	10FEB2015	NK	DR

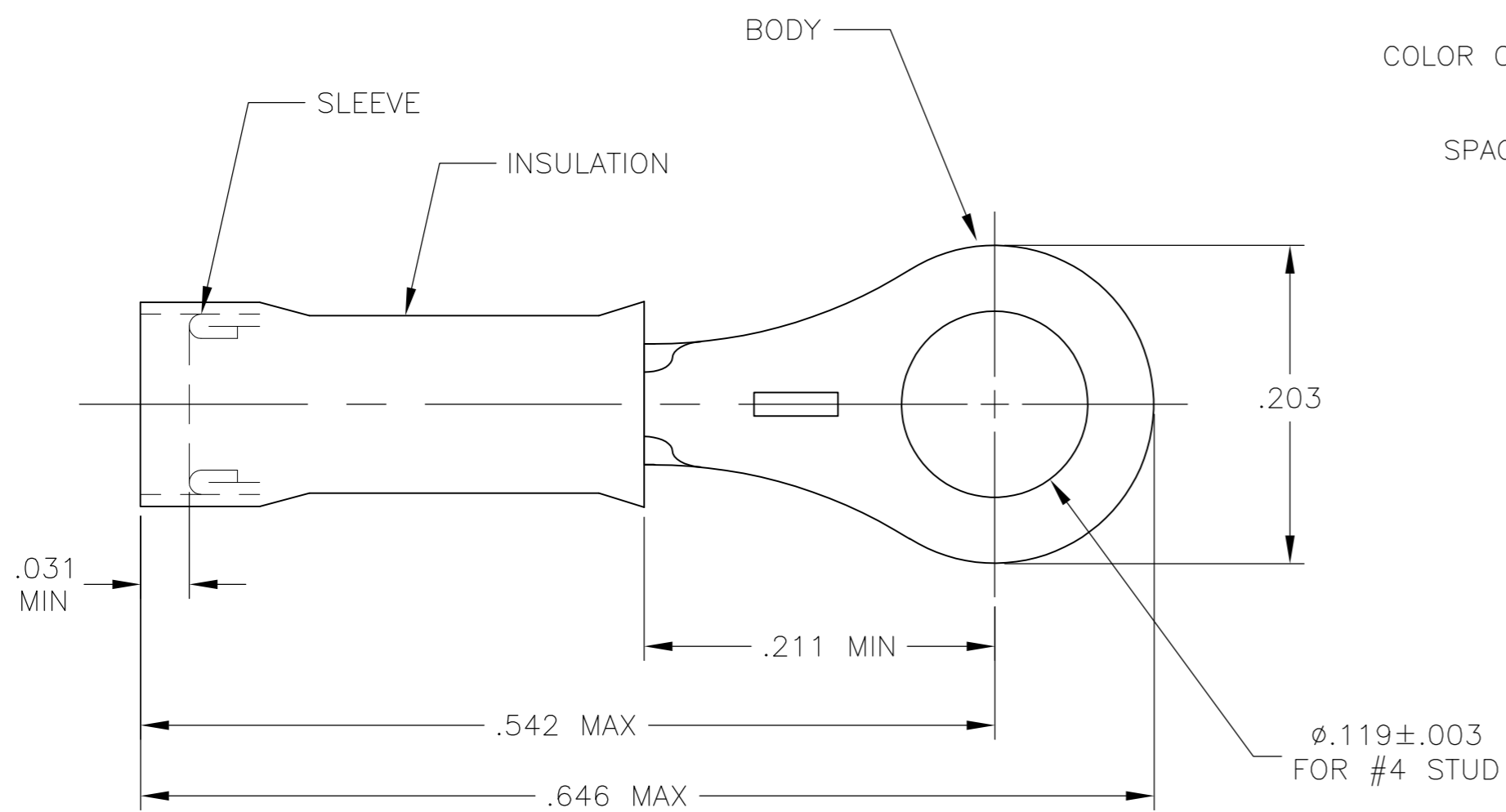


FIGURE 1

FOR .050 TO .082 WIRE INSULATION DIA

COLOR CODE STRIPE
 SEE TABLE
 3 EQUALLY
 SPACED STRIPES

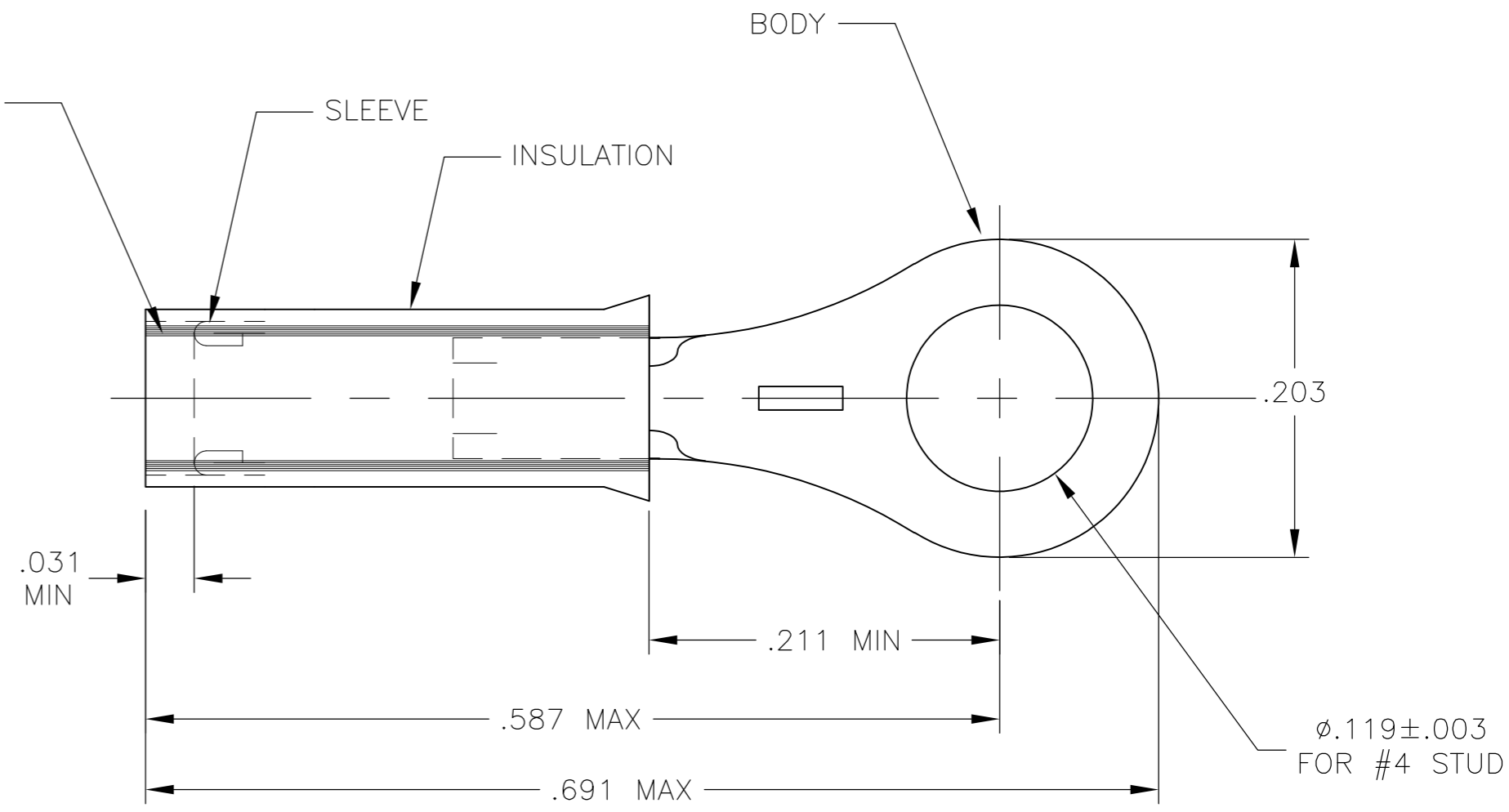


FIGURE 2
 INSULATION RESTRICTING

FOR X/Y WIRE INSULATION DIA

1 TONGUE MATERIAL THK IS .018±.002

2 MEETS MS25036-144, CLASS 2

1	WIRE TERMINAL INSULATION RESTRICTING	BODY: COPPER (ASTM-B152) TIN PL (ASTM-B545) SLEEVE: COPPER (ASTM-B152) NICKEL PL. (QQ-N-290) INSULATION: NYLON COLOR: YELLOW (ASTM-D4066) TYPE 1	2-323914-2
100	LOOSE PC, BOX		8-323914-1
4000	323914 ON TAPE	BODY & SLEEVE: COPPER (ASTM-B152) TIN PL (ASTM-B545) INSULATION: NYLON COLOR: YELLOW (ASTM-D4066) TYPE 1	2 2-323914-1
1	WIRE TERMINAL		2 323914
QTY	DESCRIPTION	MATERIAL & FINISH	PART NO

8-323914-1	FIGURE 1	#26-#22	NONE	-	
2-323914-2	FIGURE 2	#24	BLUE	.031/.055	
323914 2	FIGURE 1	#26-#22	NONE	-	2-323914-1 2
PART NO.	STYLE	WIRE SIZE	STRIPE COLOR	"X/Y"	PART NO. ON TAPE

THIS DRAWING IS A CONTROLLED DOCUMENT.

DWN JR RUTH 02OCT09
 CHK TOM MICHIELUTTI 02OCT09
 APVD MIKE PERCHERKE 02OCT09

STE TE Connectivity

NAME: TERMINAL, NYLON - PIDG - RING TONGUE
 WIRE SIZE: 26-22

SIZE: A2 CAGE CODE: 00779 DRAWING NO: 323914 RESTRICTED TO: -

MATERIAL: SEE TABLE FINISH: SEE TABLE WEIGHT: - SCALE: 10:1 SHEET: 1 of 1 REV: R

CUSTOMER DRAWING

单击下面可查看定价，库存，交付和生命周期等信息

[>>TE Connectivity\(泰科\)](#)