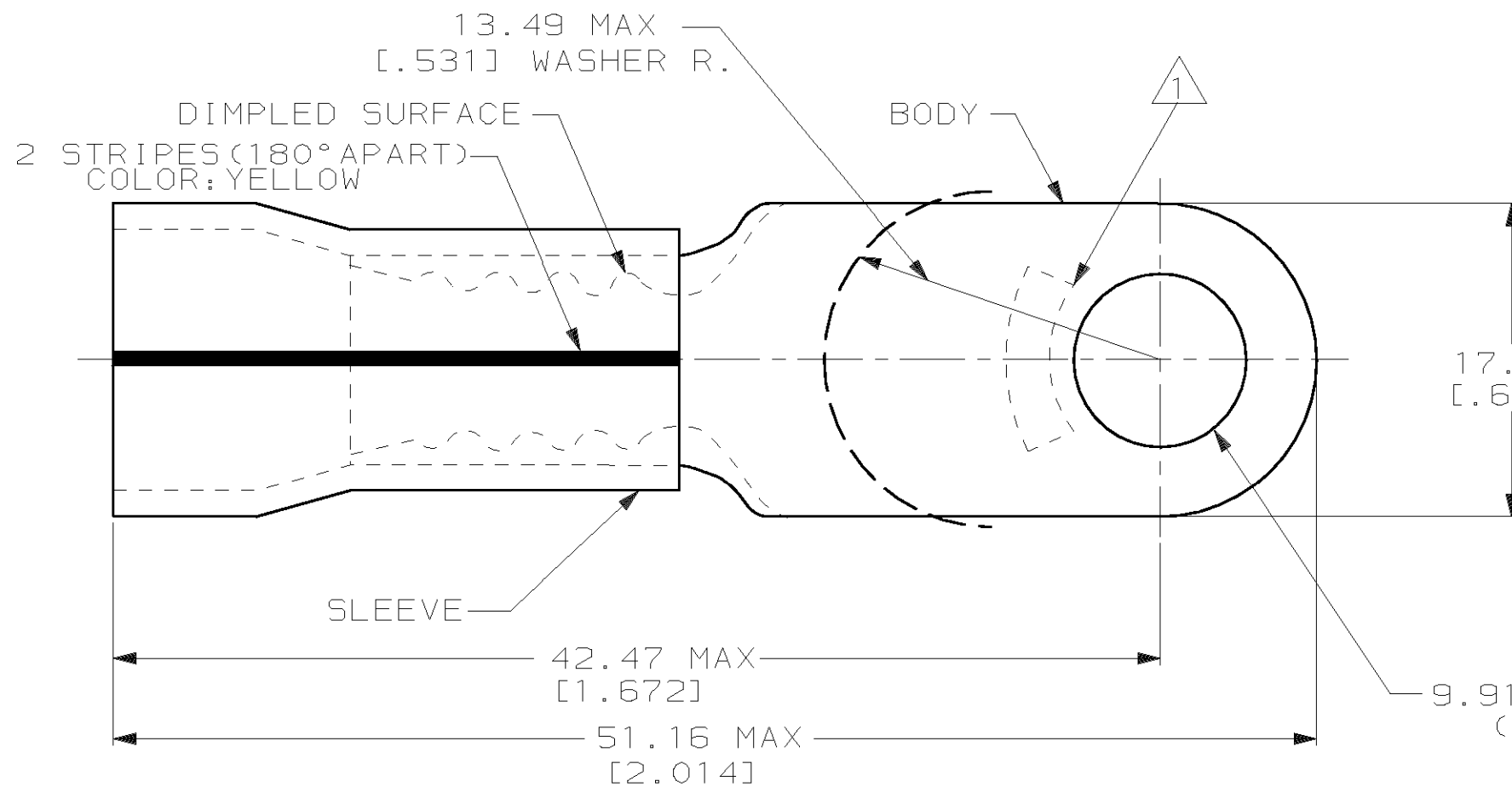


THIS DRAWING IS UNPUBLISHED. RELEASED FOR PUBLICATION, 19
 © COPYRIGHT 19 BY AMP INCORPORATED. ALL INTERNATIONAL RIGHTS RESERVED.

LOC	DIST	P	F	REVISIONS			DATE	APPD
G	14			ZONE	LTR	DESCRIPTION		
					E	REV PER 0G3A-0363-01	10JUL01	JR/TM



AMP
WIRE RANGE

4 AWG
STRANDED

METRIC

DIMENSIONS LISTED IN mm [INCHES]

NOTE:
 1. STAMP AMP 4* LOCATE APPROX AS SHOWN
 2. TONGUE MATERIAL THK 1.22±0.08 [.048±.003]
 3. WIRE INSULATION DIA 13.08 [.515] MAX

9.91±0.13 [.390±.005] DIA
(FOR 3/8 STUD)

100	LOOSE PC	53950-1
QTY	PACKAGE TYPE	PART NO

**AMP INCORPORATED
CUSTOMER SERVICE SYSTEMS**

MAX RECOMMENDED OPERATING TEMPERATURE:

150°c

VOLTAGE RATING:
600 V MAX

CIRCULAR MIL AREA:
16.77-26.65mm² [33, 100-52, 600]
STRANDED

DO NOT SCALE PRINT.
UNLESS SPECIFIED
DIMENSIONS IN mm [INCHES]
TOLERANCES ON:
2 PLC DEC ± 0.20 [.008]
3 PLC DEC ± -
ANGLES ± -

MATERIAL
COPPER PER ASTM B-152
PVF², COLOR: NATURAL

FINISH
TIN/LEAD (93-7) PLATE
PER ASTM B545

DR 10-6-93
S.S. GOULDEN
CHK 10-6-93
R. HERSEY
APPD 10-6-93
B. BARE
APPD 10-6-93
M. ELLIS

PRODUCT SPEC
NOT AVAILABLE

APPLICATION SPEC
NOT AVAILABLE

WEIGHT -

AMP AMP Incorporated
Harrisburg, PA 17105-3608

NAME
TERMINAL, RING TONGUE, PVF²,
PLASTI-GRIP, WIRE SIZE: 4 AWG

SIZE	CAGE CODE	DRAWING NO
B	00779	C-53950
SCALE	NTS	SHEET
		1 OF 1

FOR ADDITIONAL
PRODUCT INFORMATION OR
COPIES OF DRAWINGS
AND TECHNICAL DOCUMENTS

PRODUCT INFORMATION CENTER
1-800-522-6752

FOR APPLICATION
TOOLING INFORMATION

TOOLING ASSISTANCE CENTER
1-800-722-1111

FOR ORDER ENTRY

1-800-526-5142

THIS DRAWING IS A CONTROLLED DOCUMENT FOR
AMP INCORPORATED. IT IS SUBJECT TO CHANGE
AND THE CONTROLLING ENGINEERING ORGANIZATION
SHOULD BE CONTACTED FOR THE LATEST REVISION.

单击下面可查看定价，库存，交付和生命周期等信息

[>>TE Connectivity\(泰科\)](#)