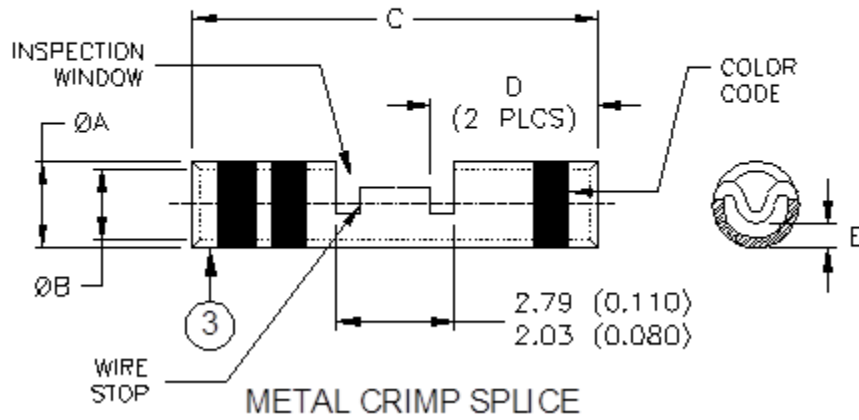
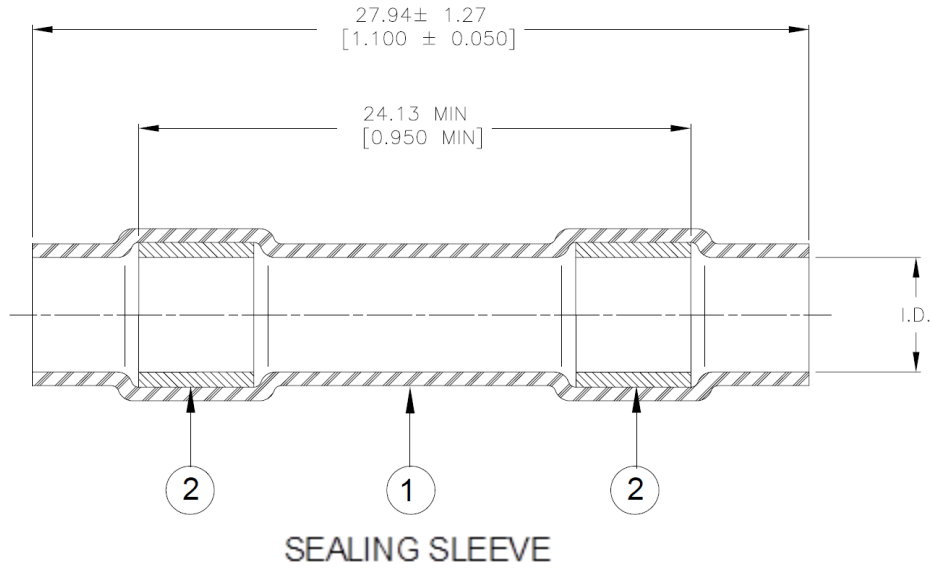


CUSTOMER DRAWING



Product Name	I.D.* a (min) b (max)	Product Dimensions					COLOR CODE
		A	B	C	D	E max	
D-436-36-SNPB	<u>2.16 (0.085)</u> 0.64 (0.025)	<u>1.27 (0.050)</u> 1.14 (0.045)	<u>2.03 (0.080)</u> 1.91 (0.075)	<u>12.95 (0.510)</u> 12.45 (0.490)	<u>6.22 (0.245)</u> 5.72 (0.225)	0.38 (0.015)	RED
D-436-37-SNPB	<u>2.79 (0.110)</u> 0.64 (0.025)	<u>1.75 (0.069)</u> 1.63 (0.064)	<u>2.69 (0.106)</u> 2.57 (0.101)	<u>14.86 (0.585)</u> 14.35 (0.565)	<u>7.11 (0.280)</u> 6.60 (0.260)	0.51 (0.020)	BLUE
D-436-38-SNPB	<u>4.32 (0.170)</u> 0.64 (0.025)	<u>2.59 (0.102)</u> 2.46 (0.097)	<u>3.89 (0.153)</u> 3.73 (0.147)	<u>14.86 (0.585)</u> 14.35 (0.565)	<u>7.11 (0.280)</u> 6.60 (0.260)	1.27 (0.050)	YELLOW

* I.D.: a) As received; b) After unrestricted recovery through meltable insert.

		Raychem DEVICES		TITLE: IN-LINE SPLICE SEALING SYSTEM		
Unless otherwise specified dimensions are in millimeters. [Inches dimensions are shown in brackets]				DOCUMENT NO.: D-436-36/-37/-38-SNPB		
TOLERANCES: 0.00 N/A 0.0 N/A 0 N/A	ANGLES: N/A ROUGHNESS IN MICRON	TE Connectivity reserves the right to amend this drawing at any time. Users should evaluate the suitability of the product for their application.		REV : B	DATE : 28 Aug 2020	
PREPARED BY: U.NGUYEN	CAGE CODE: 06090	REPLACES: NA	ECO: ECO-20-012109	SCALE: NTS	SIZE: A	SHEET: 1 of 2

© 2020 TE Connectivity Ltd. Family of Companies. All Rights Reserved.

If this document is printed it becomes uncontrolled. Check for the latest revision.

TE Connectivity, TE connectivity (logo), Raychem are trademarks

CUSTOMER DRAWING

MATERIALS

1. INSULATION SLEEVE: Heat-shrinkable, transparent blue, radiation cross-linked modified polyvinylidene fluoride.
2. SEALING RINGS: Immersion resistant thermoplastic. Color: one clear, one color coded (see table below).
3. CRIMP SPLICE:
Base Metal: Copper alloy 101 or 102 per ASTM B-75.
Plating: 90% Sn, 10% Pb, nominal. The minimum Pb in percent by weight shall be 3%.

APPLICATION

1. These parts are designed to provide immersion resistant in-line splices of 1 to 1 wire falling within size range listed above, and having insulations rated for 135°C or higher.
2. Acceptance sampling shall be in accordance with Paragraph 4.6.1 of SAE AS81824.
3. Packing and packaging shall be in accordance with Sections 5, Level C, of SAE AS81824.
4. This document takes precedence over documents reference herein.

ASSEMBLY PROCEDURE:

1. Slide sealing sleeve onto one of the wires to be spliced.
2. Strip wires 5/16" to 11/32".
3. Insert one wire into barrel of crimp splicer and crimp using a TE Connectivity/Raychem AD-1377 crimp tool. Repeat for other wire.
4. Center sealing sleeve over the splice.
5. Apply heat, using an approved heat source, first to one of the inserts and then the other. Heat should be applied until insert melts and flows axially along the wire.

Unless otherwise specified dimensions are in millimeters. [Inches dimensions are shown in brackets]

DOCUMENT NO: D-436-36/-37/-38-SNPB	REV: B	ECO NUMBER: ECO-20-012109	DATE: 28 Aug 2020	SHEET: 2 of 2
--	-----------	------------------------------	----------------------	------------------

© 2020 TE Connectivity Ltd. Family of Companies. All Rights Reserved.

If this document is printed it becomes uncontrolled. Check for the latest revision.

TE Connectivity, TE connectivity (logo), Raychem are trademarks

单击下面可查看定价，库存，交付和生命周期等信息

[>>TE Connectivity\(泰科\)](#)